



JEEP WRANGLER

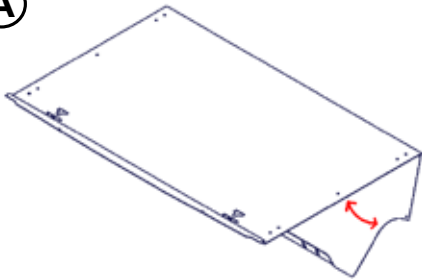
Part# 310 - Tailgate Security Enclosure

Please read and fill out the enclosed warranty registration card to activate your warranty.

CONTENTS:

Lid & Front Panel hinged together (rotate panels open)

(A)



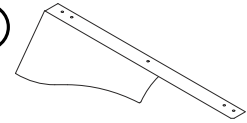
Rotate Hinge to open top and front panel



FRONT OF VEHICLE

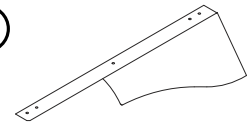
Enclosure Left Side (1)

(B)



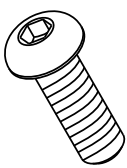
Enclosure Right Side (1)

(C)



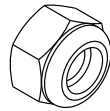
Hex Bolts 1/4"- 20 x 3/4" (10)

(D)



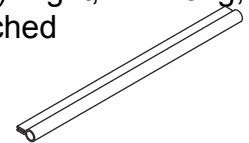
Nylon Insert Hex Nut 1/4"- 20 (10)

(E)



Trim Pieces: (1) Left & (1) Right, 12" Long, Notched

(F)



Cargo Loops (4)

(G)



Cargo Straps (4)

(H)



1/4" Flat Washers (12)

(I)



Velcro 1/2" x 1 5/8" (4)

(J)



Lid Extension: Right

(K)



Lid Extension: Left

(L)

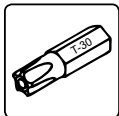


Trim Piece: 49" Long

(M)



TOOLS CHECKLIST:



T-30 torx bit or driver



Ratchet



7/16" wrench



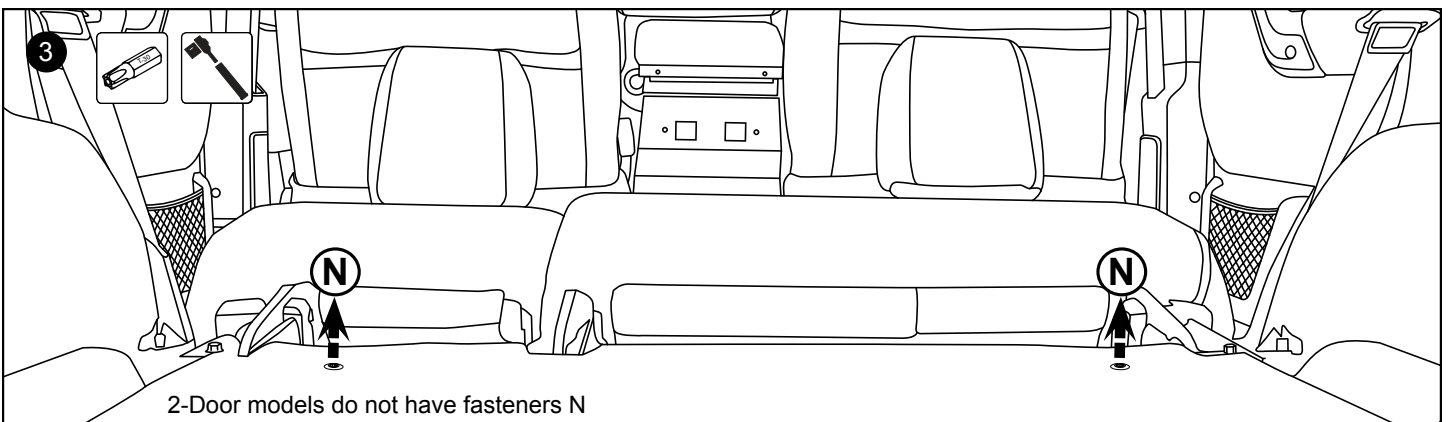
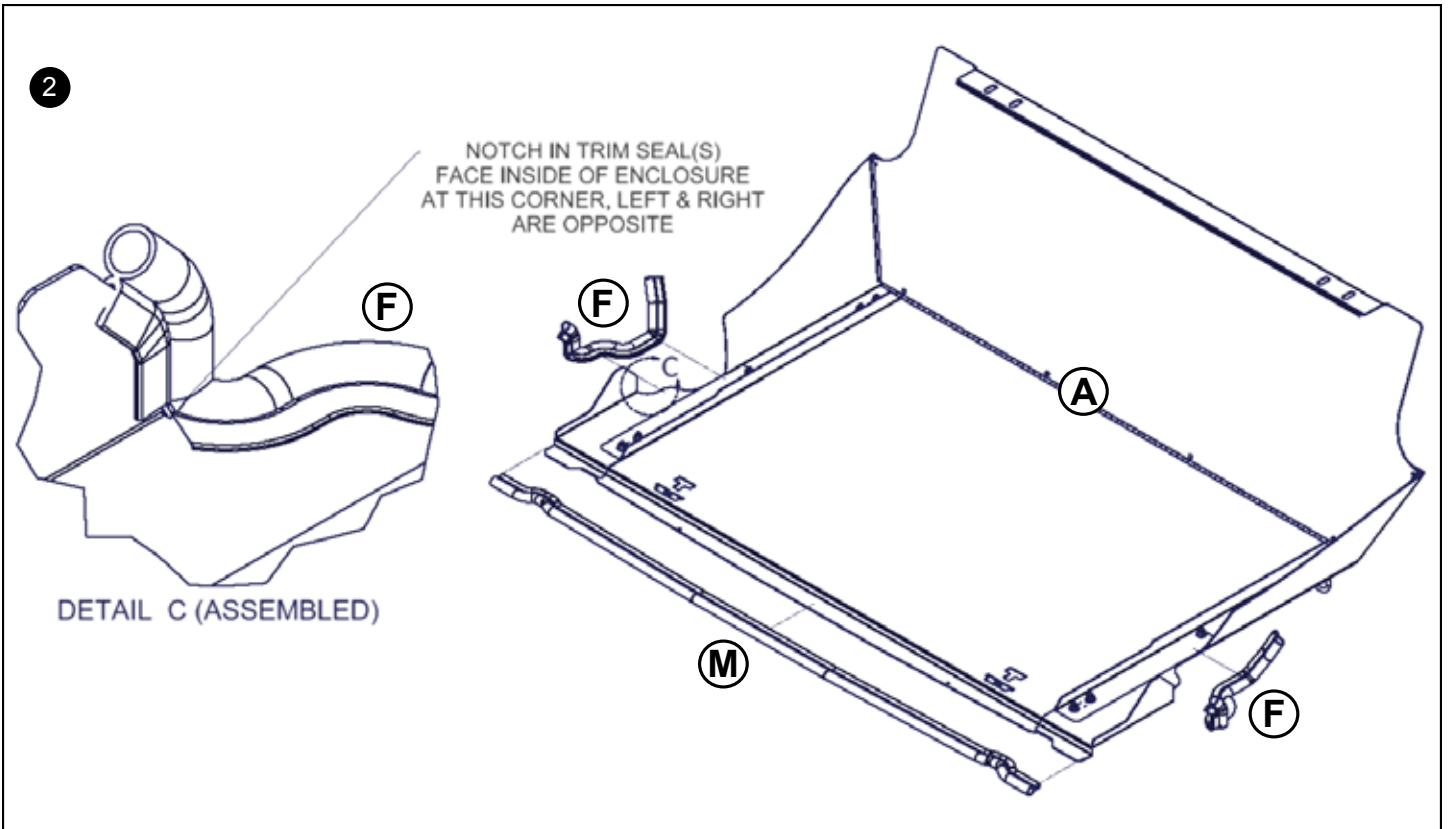
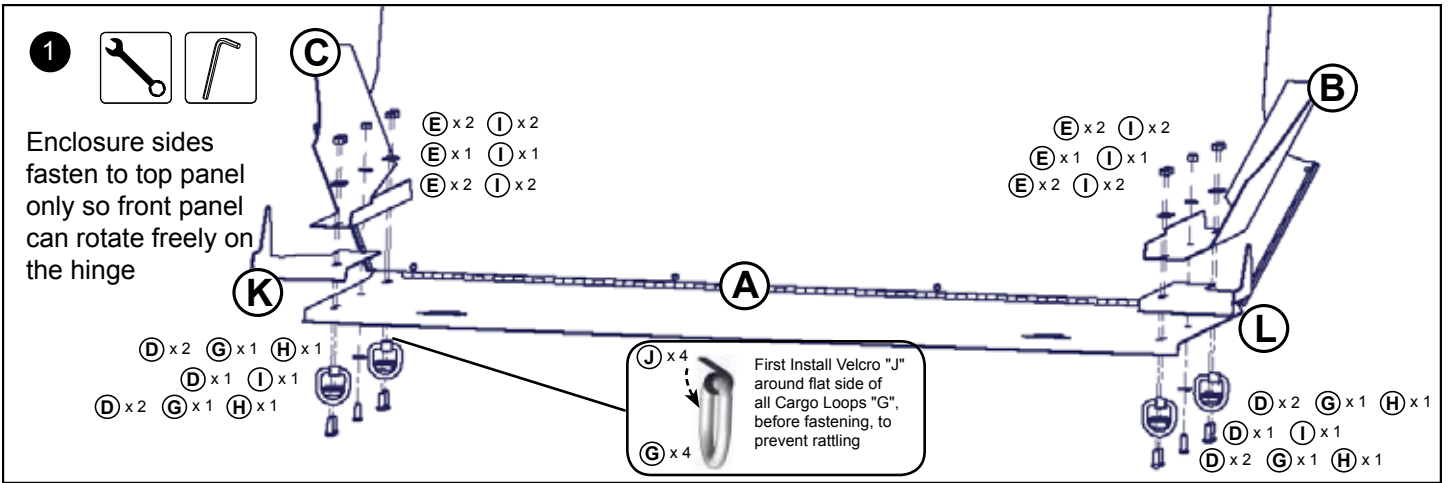
5/32" hex bit

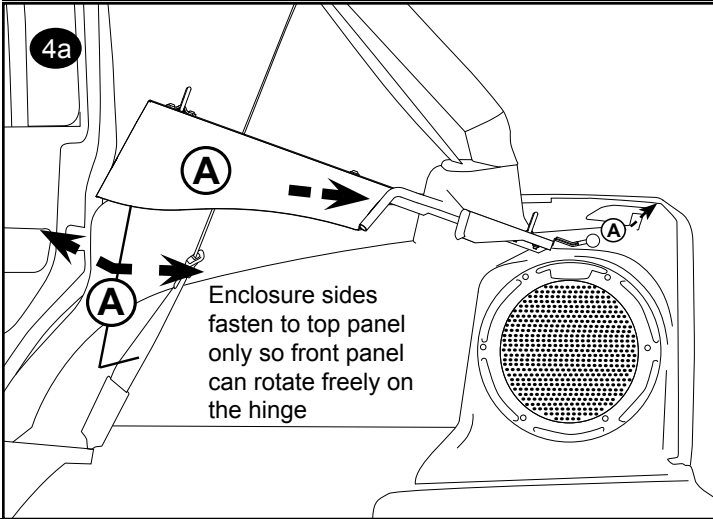
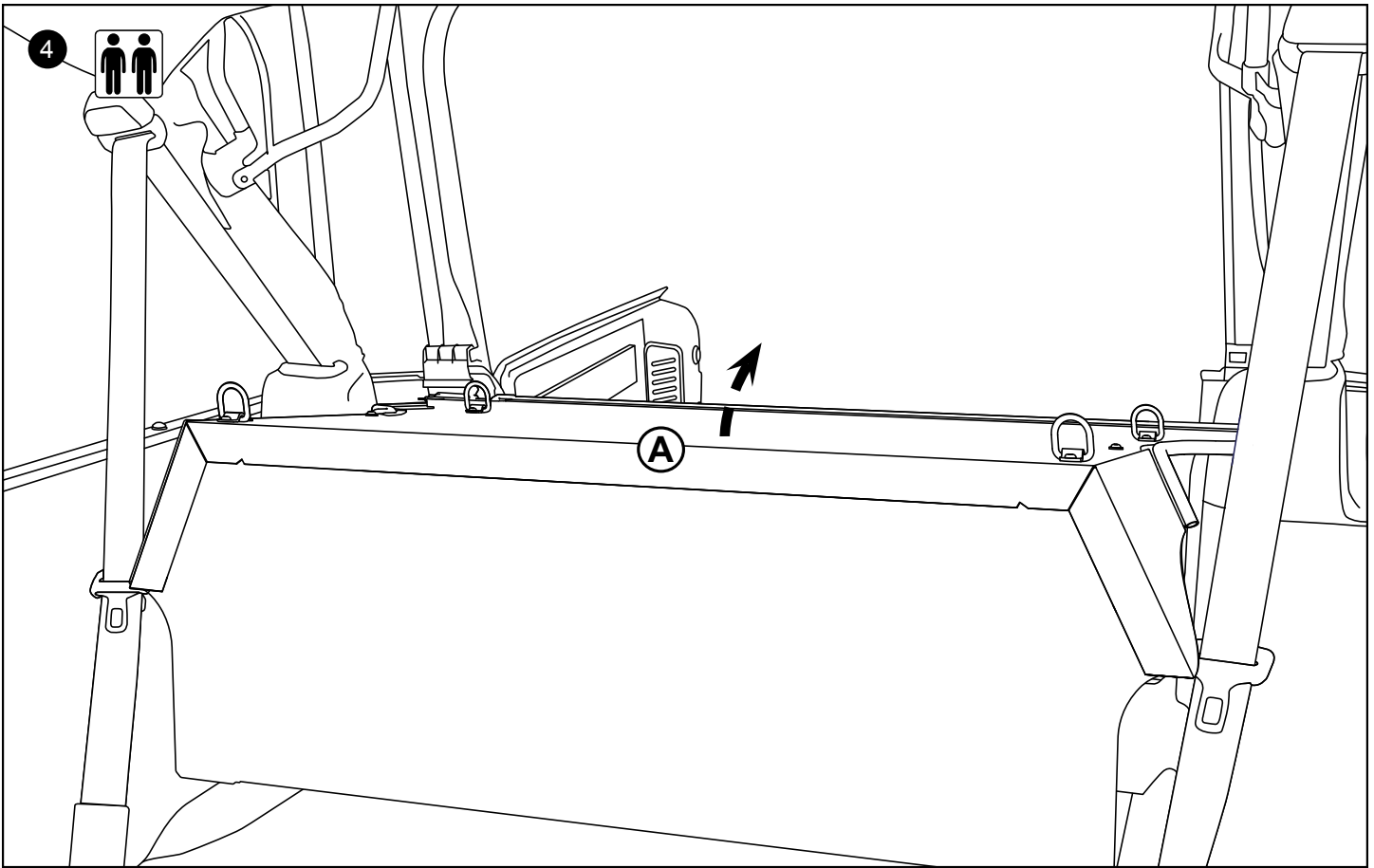


2 People

ATTENTION:

- If the JK year is 2007-2010 and does NOT come equipped with the OEM cargo loops in the bed, Part# 310-ALTMNT will also be required
- On Jeep Wrangler JK vehicles with Manual Door Locks only, the rear tailgate lock must be locked manually with key in order for Tuffy enclosure security to function. Vehicles with Power Door Locks by default also feature Remote Keyless Entry and the Vehicle Security Alarm. Arming of the Vehicle Security Alarm (by locking the doors with either the key fob or interior power door lock switch) automatically disables the interior power door lock switches and ensures the tailgate and Tuffy enclosure are secure, even on soft top models or with the top removed. There is a 16-second alarm arming period during which the interior power door lock switches remain active.
- For safety do not place any items on top of the enclosure that are not adequately secured to the vehicle to prevent movement in the event of an accident or abrupt speed changes.





Enclosure sides
fasten to top panel
only so front panel
can rotate freely on
the hinge

