

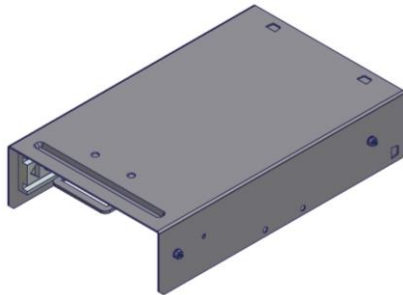


# INSTALLATION INSTRUCTIONS

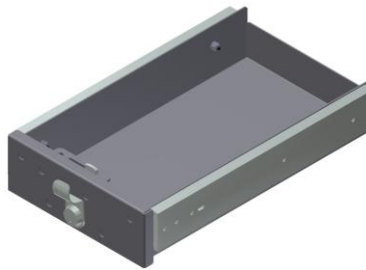
Underseat Conceal Carry Security Drawer #335  
Fits: 2011-Current Ford Explorer; 2013-current PI SUV  
(Fits Under Either Front Seat)

Please read and fill out the enclosed warranty registration card to activate your warranty.

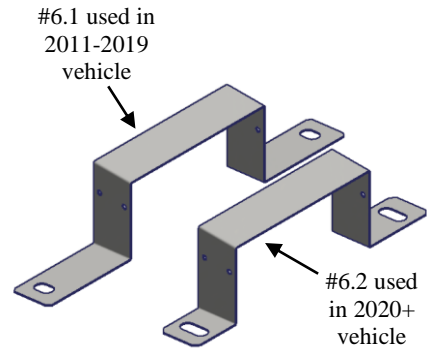
## PARTS CHECKLIST



Enclosure



Drawer



#6.1 and #6.2  
Mounting Bracket

## SHIPPING PACKAGE CHECKLIST

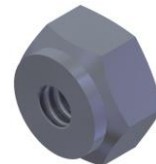
(Included in Key Bag)



2) #9.1 #6 Flat Washer



2) #9.2 #6 Flathead Screw



2) #9.3 #6 Nylock Hex Nut

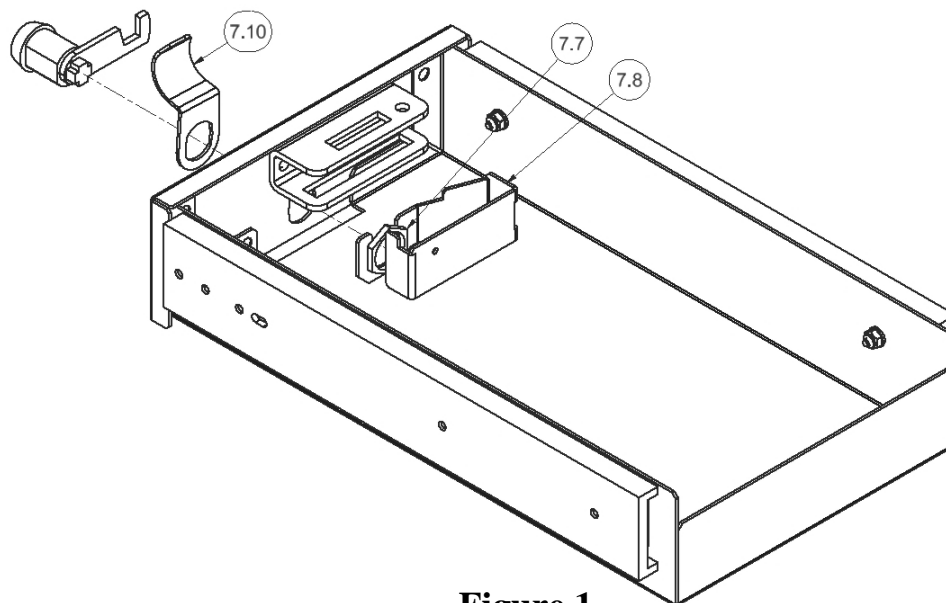
## TOOLS NEEDED

- 13mm Socket and Ratchet
- 5/16" Wrench
- 5/64" Allen wrench
- Flat head Screwdriver
- 7/8" End Wrench(Optional)

## PLEASE READ ALL INSTRUCTIONS THOROUGHLY BEFORE STARTING INSTALLATION.

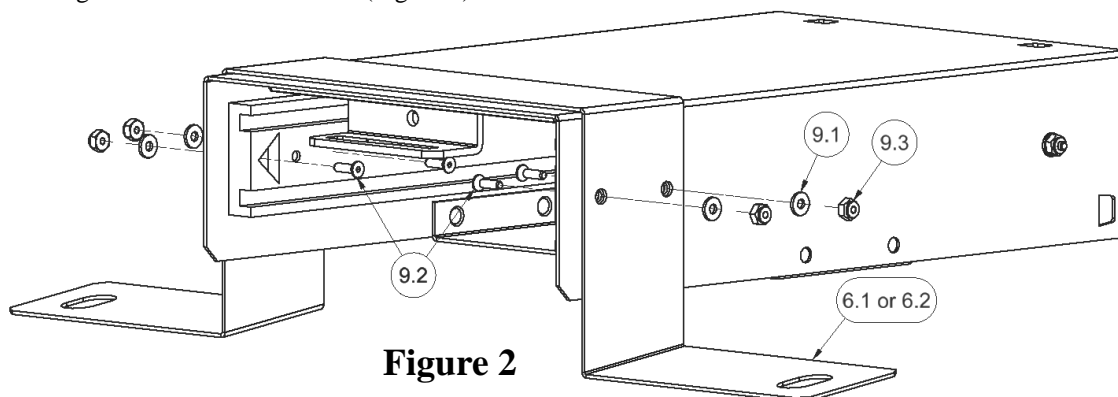
**Warning! Do not operate the vehicle without the drawer locked shut. If left unlocked normal vehicle movements while driving could cause the drawer to open creating an unsafe situation.**

1. Remove the Drawer from the Enclosure by pulling the Drawer out as far as it can go. Locate the small black plastic stops visible on the ball bearing drawer slides. One of the black stops will need to be deactivated by pressing down and the other one pulled up. Be careful not to break the plastic stops. While deactivating both stops, pull the drawer away from the enclosure until they are separated. Make sure to pull evenly to prevent binding in the slides. To reinstall, line up the slide sections and push the drawer gently into the enclosure, do not force it or it may be damaged. **Note:** While starting the slides it is best to have the inner carriage (part with the visible ball bearings) out as far as possible.
2. The Drawer is shipped with the #7.10 Finger Pull installed in the upward position. If you prefer, it may be oriented downward by removing the lock from the Drawer and inverting. This is done by removing the #7.7 brass Lock Retention Nut using a 7/8" wrench (accessed from the slot below), removing the Nut and #7.8 Lock Cover (which may be bent out of the way once the Nut is loosened). Then you can remove the Lock, invert the Finger Pull, and reassemble. **Note:** Make sure the tab on the Lock Cover is inserted into the latch slot before tightening the Retention Nut during reassembly. (Figure 1)



**Figure 1**

3. Remove the two forward #9.2 Screws from the interior slides and enclosure. Place them in the Key Bag with the other hardware. (Figure 2)



**Figure 2**

4. Slip the #6 Mounting bracket over the enclosure with the long side toward the front of the enclosure, and secure in place with (4) #9.2 Screws, (4) #9.1 Washers, and (4) #9.3 Nuts from the Key Bag.
  - a. Use #6.1 if mounted in a 2011-2019 vehicle or #6.2 if mounted in a 2020+ vehicle.
5. Reassemble the Drawer into the Enclosure as described in Step #1.
6. Remove the (2) plastic covers on the forward seat mount brackets by inserting a small flat-head screwdriver in the slots at the bottom of the covers and lifting slightly. This will provide access to the seat mounting bolts.
7. Loosen and remove, the (2) forward OEM seat mount bolts. **Note:** It should not be necessary to loosen the rear brackets.
8. Insert the Drawer under the front seat with both of the mounting bracket tabs under the seat mount brackets.
9. Reinstall and tighten any of the seat mounting bolts that were loosened/removed earlier.
10. Return the plastic covers, removed in Step #6, to their original locations.

Call (800)348-8339 for Technical Support