

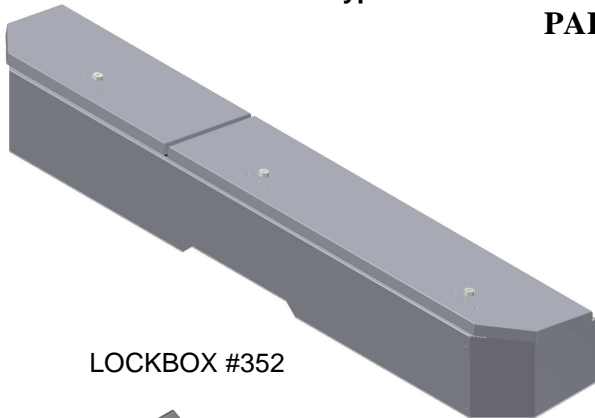


INSTALLATION INSTRUCTIONS

2019+ Silverado/Sierra Under Rear-Seat Lockbox #352

Please read and fill out the enclosed warranty registration card or register online at tuffyparts.com/warrantyreg.aspx to activate your warranty.

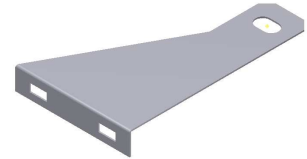
PARTS CHECKLIST



LOCKBOX #352



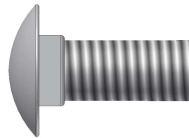
#14 MOUNTING BRACKET (PASSENGER SIDE)



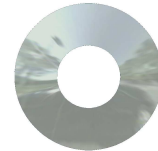
#13 MOUNTING BRACKET (DRIVER SIDE)



#13.1 (4) 5/16" WING KNOB NUTS



#18.1 (4) 5/16" x 3/4" CARRIAGE BOLTS



#13.3 (4) 3/8" WASHERS

Tools needed for standard installation

- 18mm Socket and Ratchet

Optional Tools(Needed to Remove Factory Tray, Step #2)

- 10mm Socket/Wrench
- T-40 Torx Wrench

PLEASE READ ALL INSTRUCTIONS THOROUGHLY BEFORE STARTING INSTALLATION.

1. Flip both rear seat bottoms up so they are secured in the upright position.
2. Remove the factory storage solution, if equipped. It is held in place by the jack mount, the tire tool bundle, and a "carpet screw" on the driver's side. Once the factory tray is removed, the jack and tire tool bundle can be reinstalled.
3. Starting on the Passenger (right) side, use the 18mm Socket to remove the OEM outer seat mount bolt (secures the seat to the floor). See **Figure 1**.
4. Slip the #14 Mounting Bracket under the seat mount so that the mounting hole is visible from above. *Note: The straight edge of the Mounting Bracket faces the outside of the vehicle.*
5. Replace, but do not tighten, the OEM bolt removed in step #3.
6. Repeat steps #3 thru #5 on the other side of the vehicle using the #13 Mounting Bracket.
7. Place the #352 Lockbox in the floorboard area of the vehicle and slide it into place against the mounting brackets.

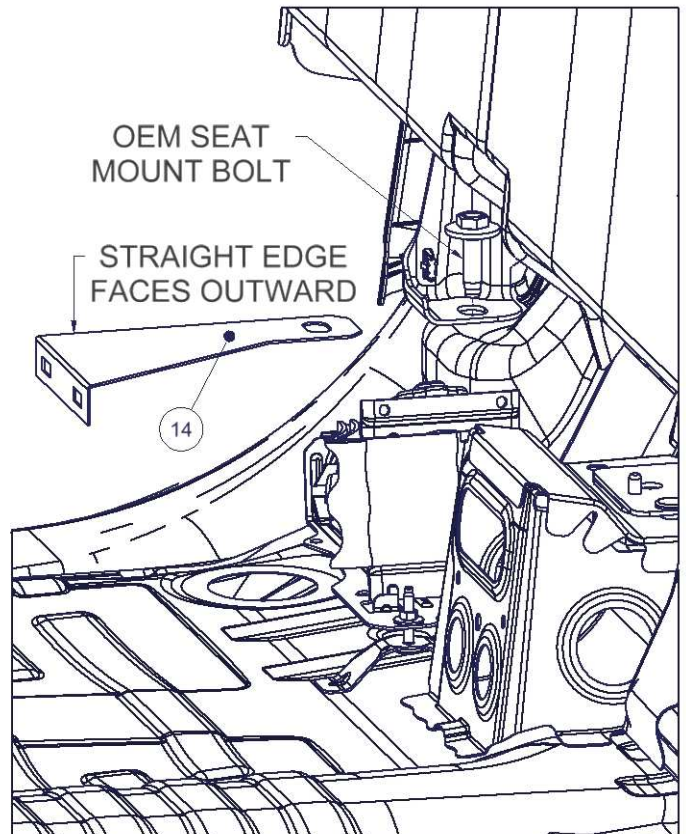


Figure 1

8. Insert the #18.1 Carriage bolts through the #13 and #14 Mounting Brackets so they protrude to the inside of the box. The Carriage bolts may need to be moved in the horizontal slots of the #13 and 14 Brackets to line up properly with the vertical slots in the rear of the Lockbox. See **Figure 2**.

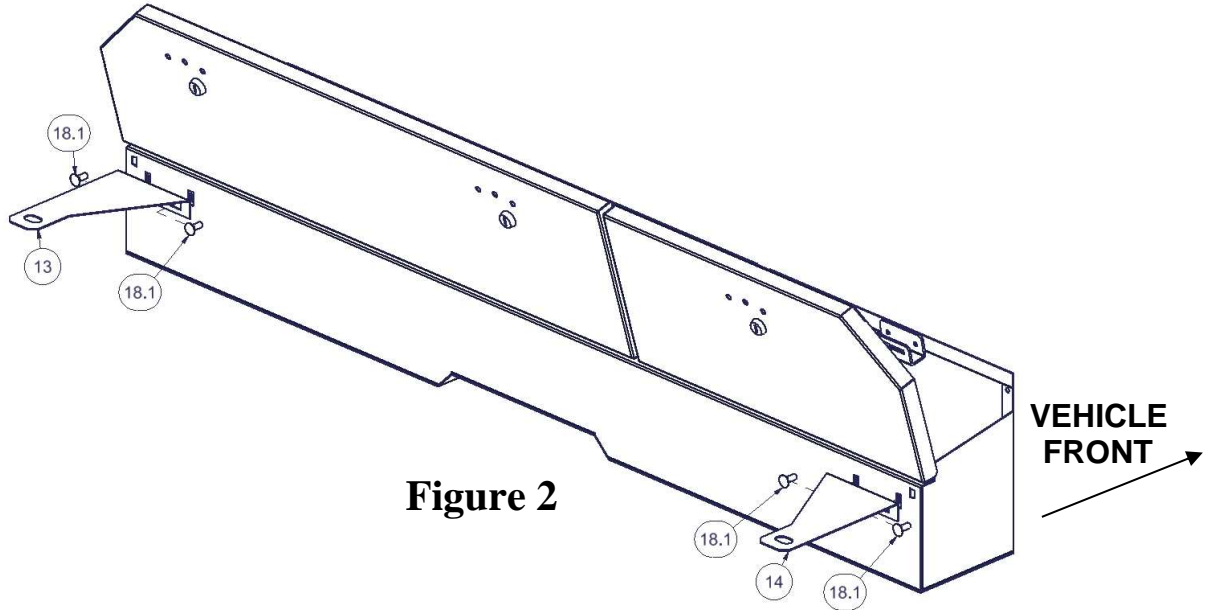


Figure 2

9. Install, **but do not tighten** the #18.3 Washers, and #18.2 Wing Knob Nuts. See **Figure 3**. NOTE: It may be necessary to hold the heads of the #18.1 Carriage bolts to prevent them from falling backward while starting the #18.2 Knob Nuts.

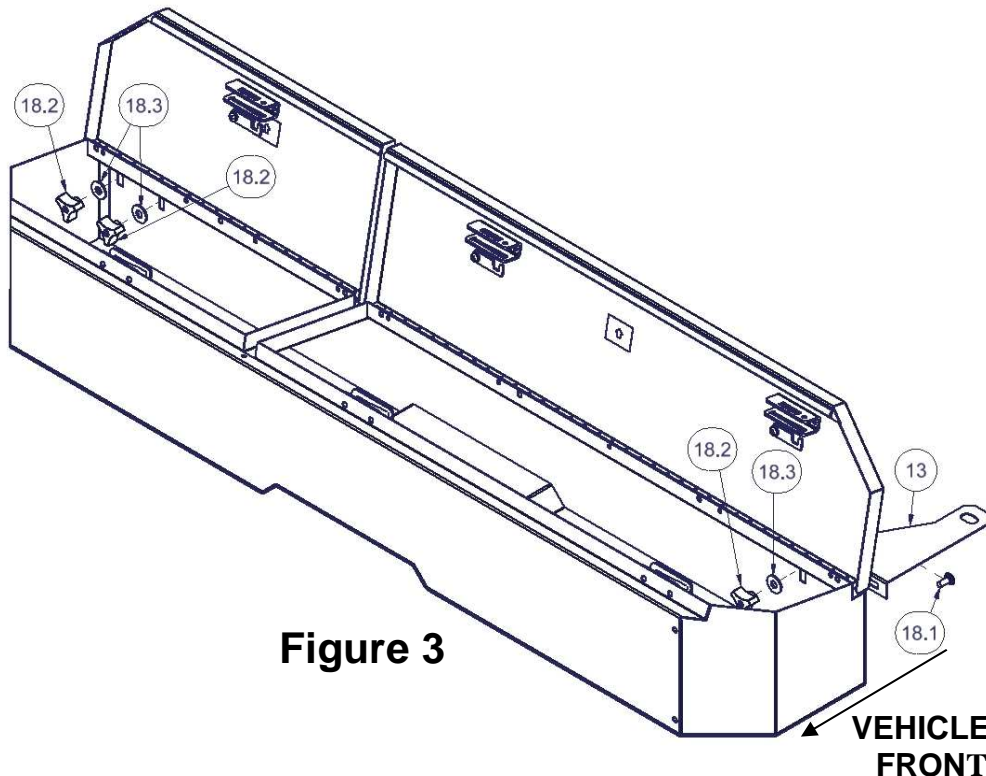


Figure 3

10. Adjust the Lockbox's side to side position so that the gap in the lids aligns with the rear seat split. This may be done by alternately opening the Lockbox lids and raising and lowering the rear seats and adjusting to minimize interference.
11. Once the Lockbox is in its final position, the (2) #13.1 Wing Knob Nuts and the (2) OEM Seat Mount Bolts may be tightened.