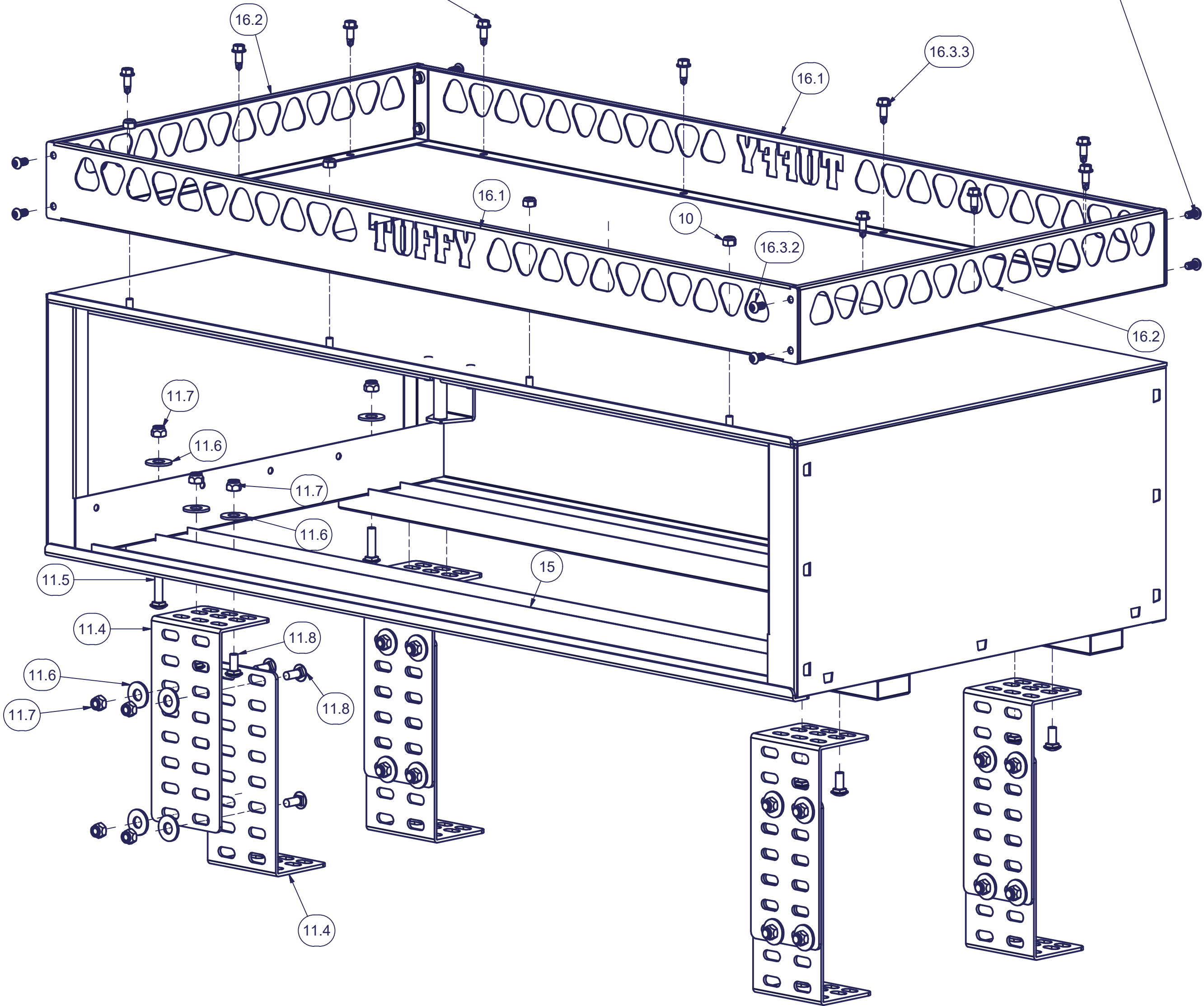


ITEM	QTY	PART NUMBER	DESCRIPTION
11.4	8	364RISER	UPPER TALL RISER BRACKET, ASSEMBLY ADJUSTABLE 5.2"-8.2" RISE (ALSO ADD TO SANDWICH TOP FOR SUPPORT)
11.5	4	S-313-18X1250CGBH5P	5/16-18X 1 1/4 CARRIAGE BOLT GRADE 5 PLATED
11.6	28	W-375USSCSP	3/8" USS FLAT WASHER, PLATED, WIDE OUTSIDE DIA
11.7	28	N-313-18HNINCSP	5/16-18 HEX NYLON INSERT NUT, PLATED
11.8	24	S-313-18X0750CGBH5P	5/16-18X3/4 CARRIAGE BOLT, PLATED, (Matl: Carbon Steel, Grade 5, Zinc Plating)
15	2	364MNTCB	MOUNTING CROSS BRACE BOLTED ON, NOT WELDED, 2 PER ASSY
16.1	2	308-FR	FRONT/REAR PANEL
16.2	2	308-SS	LEFT/RIGHT SIDE PANEL
16.3.3	10	S-250-SDX0750HWCS2P	1/4 X 3/4" SELF DRILLING TEK SCREW PLATED, HEX WASHER CAP
16.3.2	8	S-250-20X0500SBCSAB	1/4"-20 x 1/2" SOCKET BUTTON CAP SCREW, ALLOY BLACK

THIS IS ONE POSSIBLE CONFIGURATION  
 ADJUST RISER BRACKETS AS NECESSARY  
 PART #15 PRE-INSTALLED, ADJUST AS NECESSARY

USE A 3/8" SOCKET

USE A 5/32" ALLEN WRENCH



**COMBO LOCK INSTRUCTIONS:**

- PRESS KEY LOGO
- KEY IN OLD CODE AND ENTER 02 (e.g. 2244 02)
- KEY IN NEW CODE
- KEY IN NEW CODE

- LIGHT WILL FLASH ONCE
- LIGHT WILL FLASH ONCE AFTER THE OLD CODE AND ONCE AFTER THE 02
- LIGHT WILL FLASH ONCE
- LIGHT WILL FLASH THREE TIMES

**Notes:**

The information contained in this drawing is the sole property of Tuffy Security Products Inc. Any reproduction in part or whole without the written permission of Tuffy Security Products Inc. is prohibited

DRAWN	bend	1/13/2020
CHECKED		
APPROVED		

TITLE	
DWG NO	364 CUSTOMER ASSEMBLY
SHEET 1	OF 1
REV	

PARTS LIST (COMPONENTS, BOM) MUST MATCH BOM COMPONENTS ON THE TRAVELER. DO NOT SUBSTITUTE PART UNLESS AUTHORIZED BY MANAGEMENT

**364 CUSTOMER ASSEMBLY**