



# INSTALLATION INSTRUCTIONS

## 2007-2018 JK Wrangler Tailgate Storage Box #366

Please read and fill out the enclosed warranty registration card or register online at <https://www.tuffyparts.com/topic/warranty> to activate your warranty.

### QC CHECK

- \_\_\_\_ SHIP PACK CONTENTS
- \_\_\_\_ VISUAL INSPECTION
- \_\_\_\_ RUBBER SEALS
- \_\_\_\_ LOCK FUNCTION TEST
- \_\_\_\_ SHIPPING/KEY PACK

### PARTS CHECKLIST



STORAGE BOX #366

### SHIPPING PACKAGE CHECKLIST



#1.1 (4) PLASTIC INSERT (IN KEY BAG)



#1.2 (2) 29 1/2" "DOUBLE" D-SEAL



#1.3 (4) #10 x 5/8" SCREW



#1.4 (4) #10 FLAT WASHER

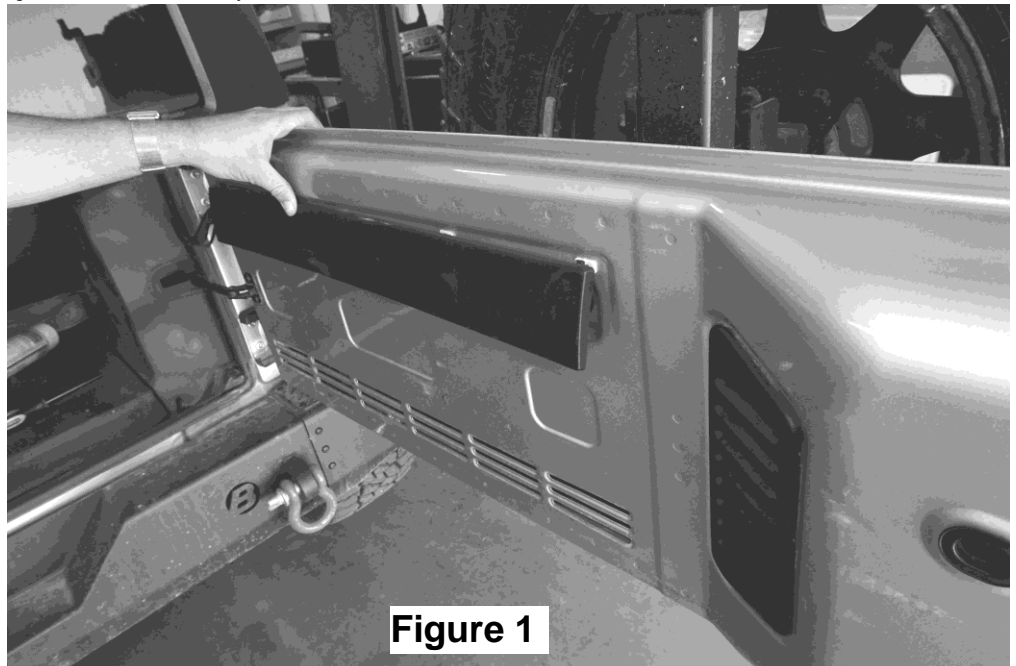
### TOOLS CHECKLIST

- Panel Removal Tool
- Phillips Head Screwdriver

### PLEASE READ ALL INSTRUCTIONS THOROUGHLY BEFORE STARTING INSTALLATION.

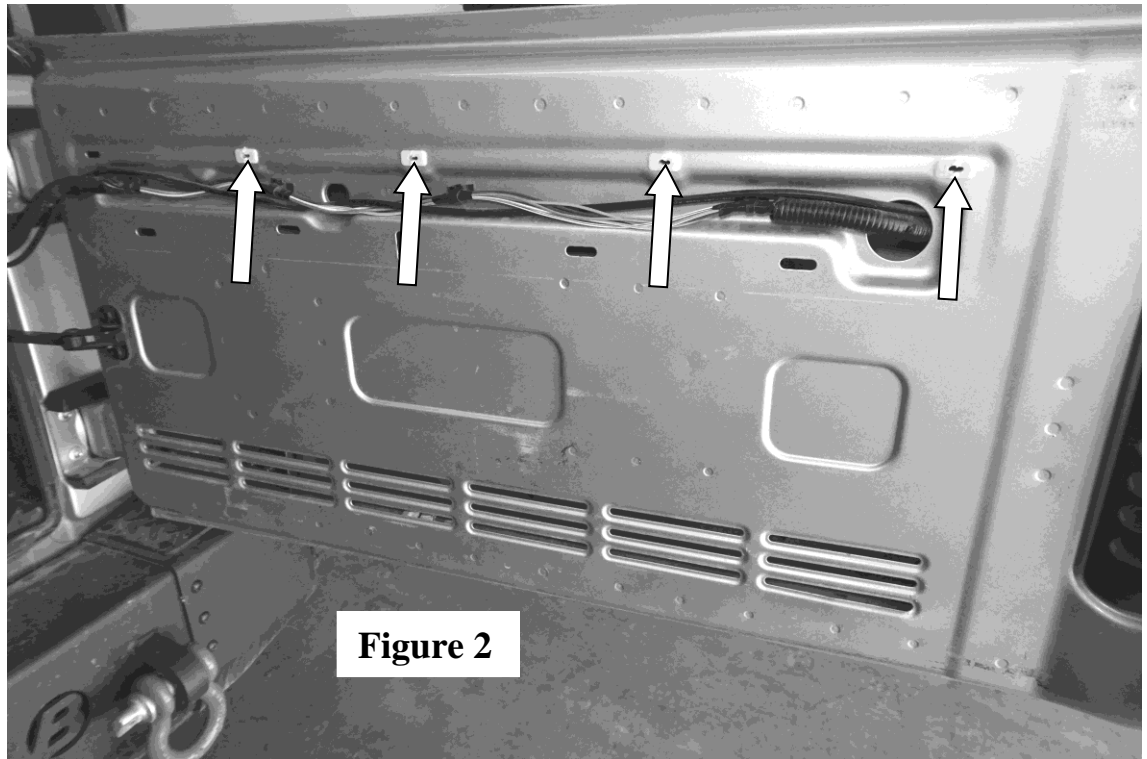
1. Remove all the contents from the shipping box and confirm that you have all the items listed above.

2. Open the tailgate and remove the trim panel from the inner surface, by lifting at the bottom of the panel. See **Figure 1**



**Figure 1**

3. Install (4) #1.1 Plastic Inserts(found in the key bag) into the upper-right most holes, as shown in **Figure 2**.

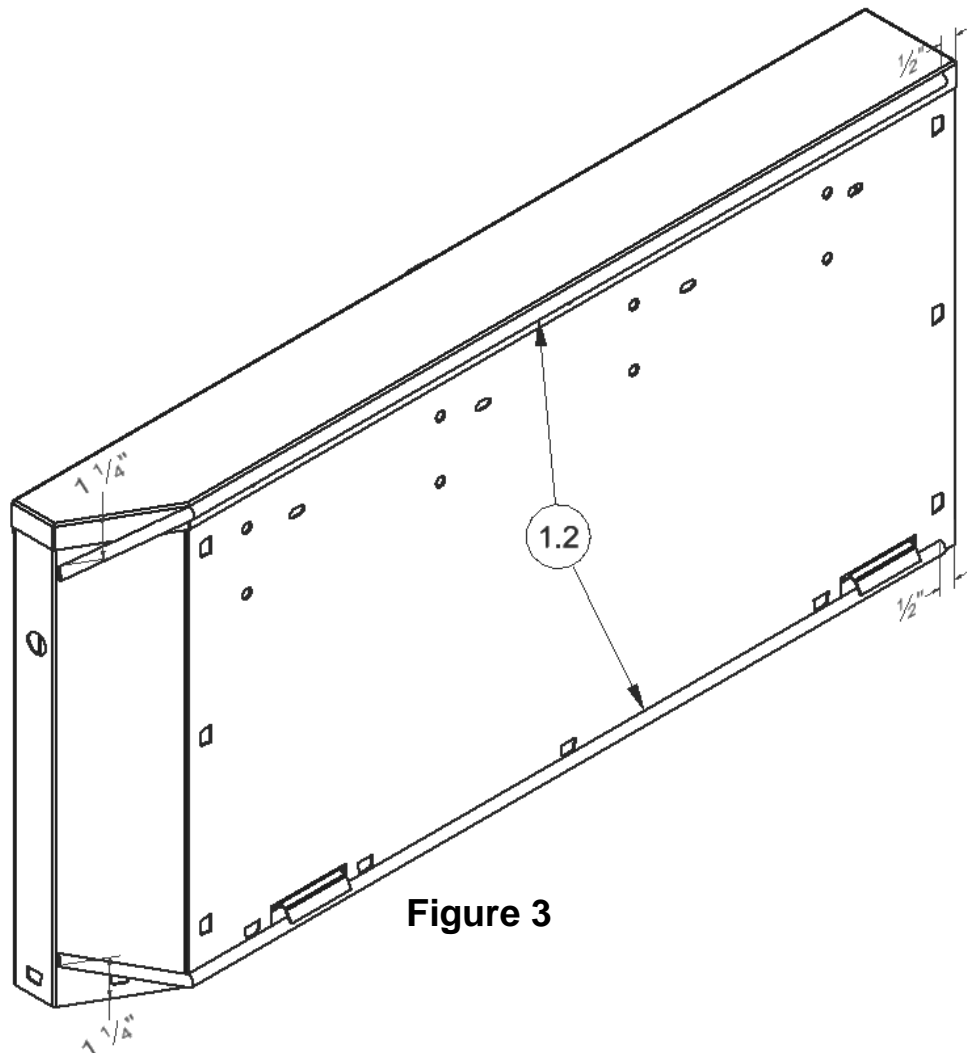


**Figure 2**

4. Separate the #1.2 Double D-Seal into two pieces (lengthwise) and apply them to the back of the #366 Storage Box as shown in **Figure 3**.

**NOTE:** The D-seal should be placed as close to the top and bottom of the Storage Box as practical.

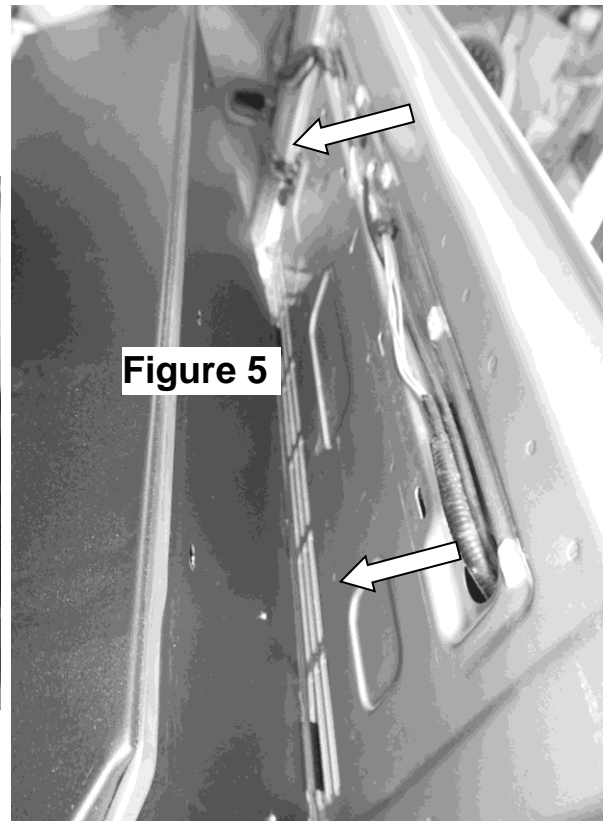
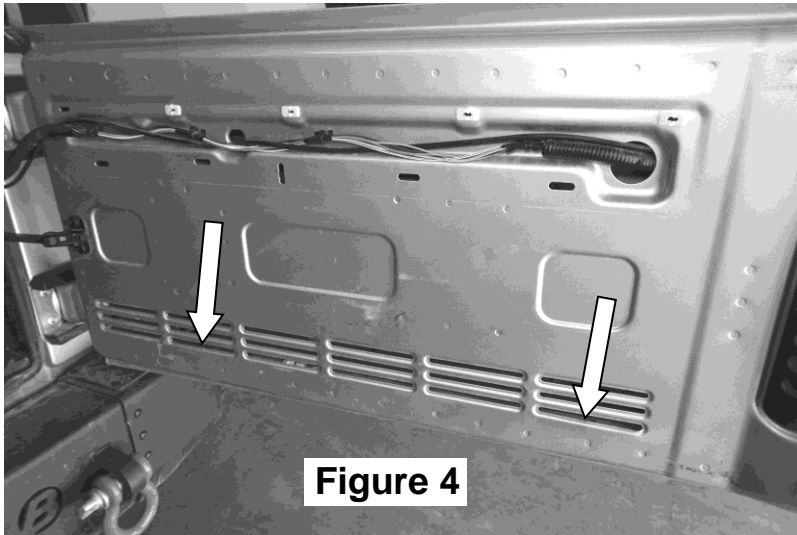
**NOTE:** 1 3/4" rise/drop along the angled edge matches the contour of the tailgate surface.



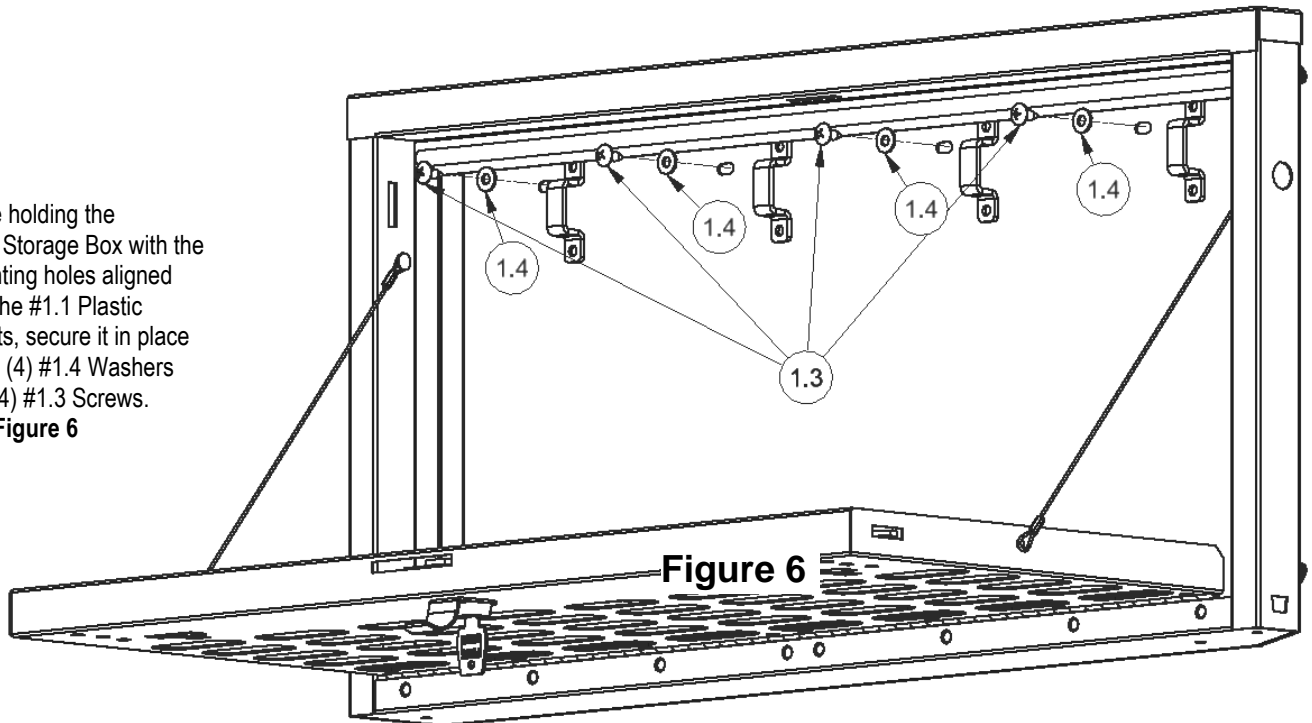
**Figure 3**

5. Insert the metal tabs at the bottom of the #366 Storage Box into the indicated slots at the bottom of the tailgate and rotate into place. See **Figures 4 and 5**.

**NOTE:** Arrows indicate metal tabs and correct tailgate slots.



6. While holding the #366 Storage Box with the mounting holes aligned with the #1.1 Plastic Inserts, secure it in place using (4) #1.4 Washers and (4) #1.3 Screws. See **Figure 6**



**CAUTION:** Lid may be used as a table but should not be loaded beyond 40lbs (18 kg), replacement cables are available from Tuffy Security Products.