



INSTALLATION INSTRUCTIONS

GAS STRUT 7 1/2" WITH 2" STROKE #863

Call (970) 564-1762 for Technical Support

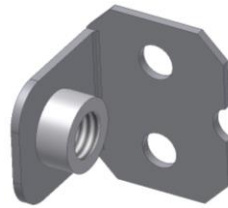
SHIPPING PACKAGE CHECKLIST



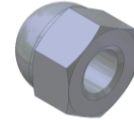
#3 Gas Strut



#4 – (2) Ball Stud



#7 - (2) Brackets



#5 - 5/16-18 CAP NUT



#6 - 5/16" WASHER



#2 – (4) 10-32 X 1/2" PHILLIPS SCREW



#1 – (4) 10-32 HEX WASHER NUT

TOOLS NEEDED

- Phillips head screw driver (Short)
- 3/8" Nut-driver and/or wrench
- 1/2" Socket and ratchet
- 1/2" Wrench

ATTENTION: When these instructions and drilling locations are followed on a Tuffy console with a standard hinge configuration the lid will open up 90 degrees and stop. If you desire a different lid stopping angle or have a non-standard hinge configuration the hole locations will need to be adjusted.

PLEASE READ ALL INSTRUCTIONS THOROUGHLY BEFORE STARTING INSTALLATION.

INSTRUCTIONS TO MOUNT THE GAS STRUT ASSEMBLY IN TUFFY CONSOLES WITH A STANDARD LID CONFIGURATION (SEE BELOW FOR NON-STANDARD PART# 139/144 JK CONSOLE INSERT LID INSTALLATION)

1. Remove the padded cushion and mark the spots for (2) 1/4" holes in lid to mount the #7 Bracket. Measure from the rear and right side on the outside top of the lid as illustrated. (See Figure 1)
2. Drill the (2) 1/4" holes in the lid. (See Figure 1)
3. Mark the hole on the right side panel for drilling a 3/8" hole as illustrated and drill it out. (See Figure 2)
4. Mount the #7 Bracket with the #4 Ball stud to the lid using the illustrated hardware. (See Figure 3)
5. Mount the #4 Ball stud in the side with the illustrated hardware (See Figure 3 & 4)
6. Press on the #3 Gas spring in the orientation illustrated with the rod facing down. (To remove it use a standard screwdriver to pry up the spring clip on the #3 Gas spring until it pops off, It is not necessary to completely remove the spring)

FIGURE 1
(STANDARD LID)

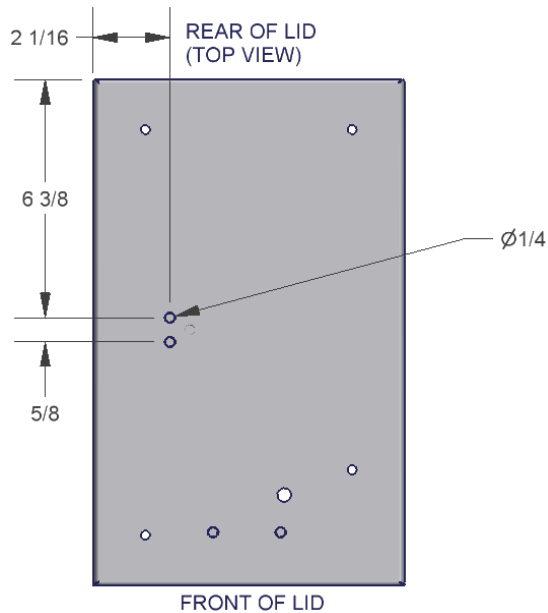


FIGURE 2
(STANDARD LID)

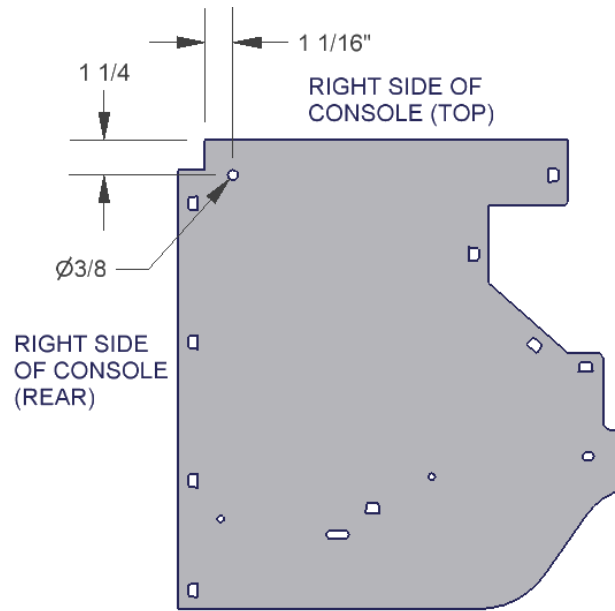


FIGURE 3
(STANDARD LID)

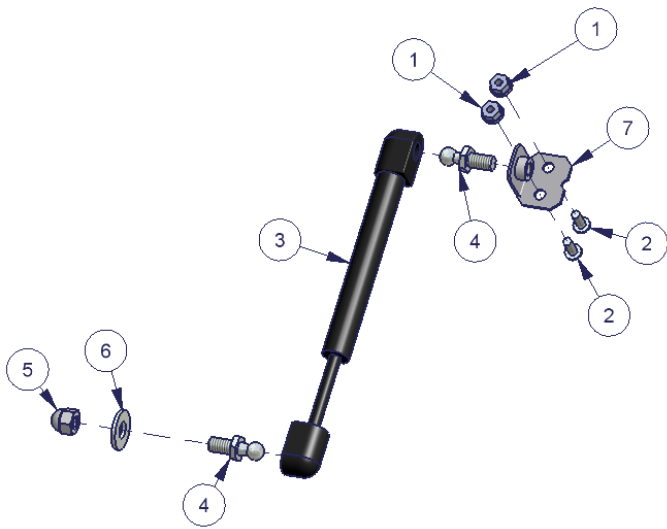
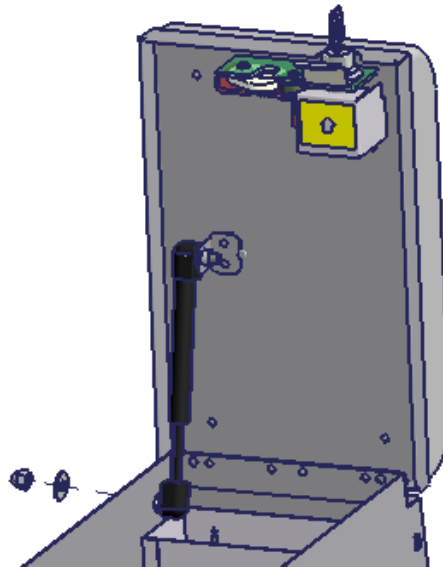


FIGURE 4
(STANDARD LID)



**INSTRUCTIONS TO MOUNT THE GAS STRUT ASSEMBLY IN NON-STANDARD LID HINGE CONFIGURATIONS
PART# 139/144 JK CONSOLE INSERT, OPENS APPROXIMATELY 82 DEGREES MAX)**

1. Remove the padded cushion and mark the spots for (2) 1/4" holes to be drilled in the lid to mount the #7 Bracket. Measure from the rear and right side on the outside top of the lid as illustrated. Drill the (2) 1/4" holes in the lid. (See Figure 5)
2. Mark the holes on the right side panel for drilling a 1/4" holes as illustrated and drill it out. (See Figure 5)
3. Fasten the #4 Ball studs to each #7 Brackets as illustrated
4. Attach the top end of the #3 Gas strut to the #7 Bracket for the lid and fasten it to the holes drilled in the lid using the illustrated hardware. (See Figure 6)

5. Mount the other #7 Bracket with the #4 Ball stud in the holes drilled in the side with the illustrated hardware (See Figure 5 & 6)
6. Press on the #3 Gas spring in the orientation illustrated with the rod facing down to the #4 Ball stud. (To remove it use a standard screwdriver to pry up the spring clip on the #3 Gas spring until it pops off, It is not necessary to completely remove the spring)

FIGURE 5 (PART# 139/144 JK CONSOLE INSERT ONLY)

DRILL (2) 1/4" HOLES IN THE LID AND (2) 1/4" HOLES IN THE RIGHT SIDE. THESE MUST BE ACCURATE, IT IS A TIGHT CLEARANCE

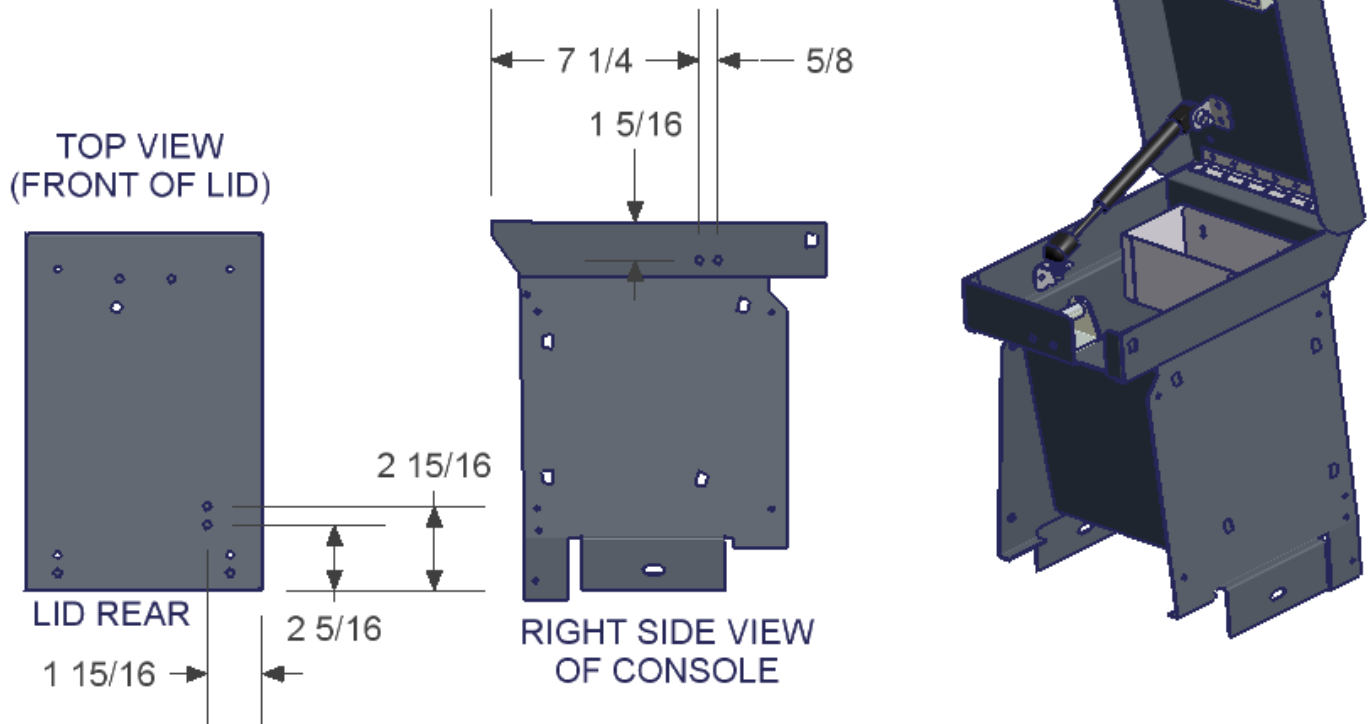


FIGURE 6 (PART# 139/144 JK CONSOLE INSERT ONLY)

