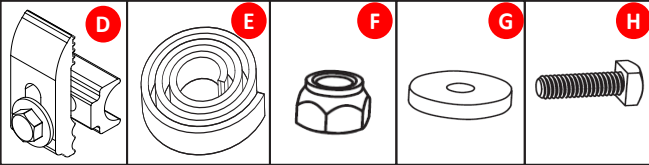


INSTALLATION INSTRUCTIONS

CUSTOMER SERVICE

Phone: 877-878-9336 • 8:00 am - 5:00 pm Mon - Fri CT

Email: customersupport@truxedo.com



PARTS INCLUDED

IN YOUR KIT:

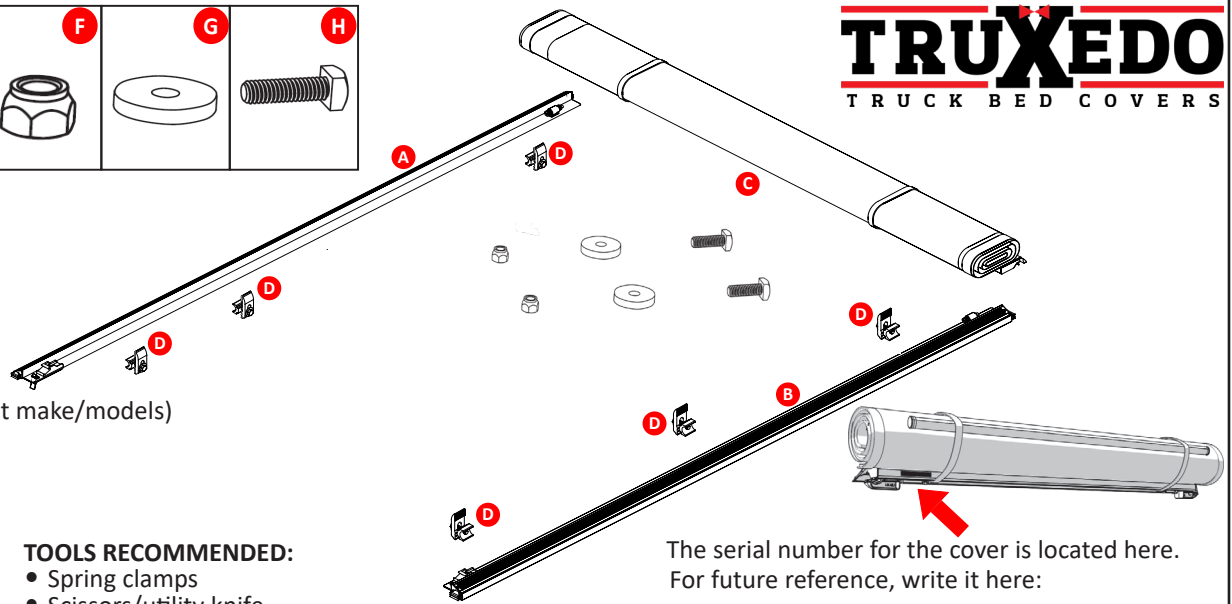
- A** Driver side rail
- B** Passenger side rail
- C** Cover assembly
- D** 6x clamps
- E** Bulkhead seal (on select make/models)
- F** 2x Hex Nuts
- G** 2x Plastic washers
- H** 2x Square Head Screws

TOOLS REQUIRED:

- Flat head screwdriver
- 1/2" wrench or socket

TOOLS RECOMMENDED:

- Spring clamps
- Scissors/utility knife

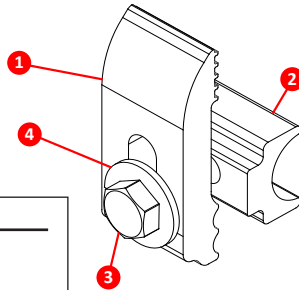


The serial number for the cover is located here. For future reference, write it here: _____

1 Remove the rear cargo rail end plugs and remove the cargo tie down if installed.



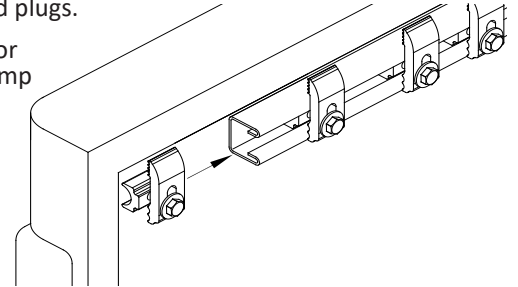
2 Assemble clamps as shown below.



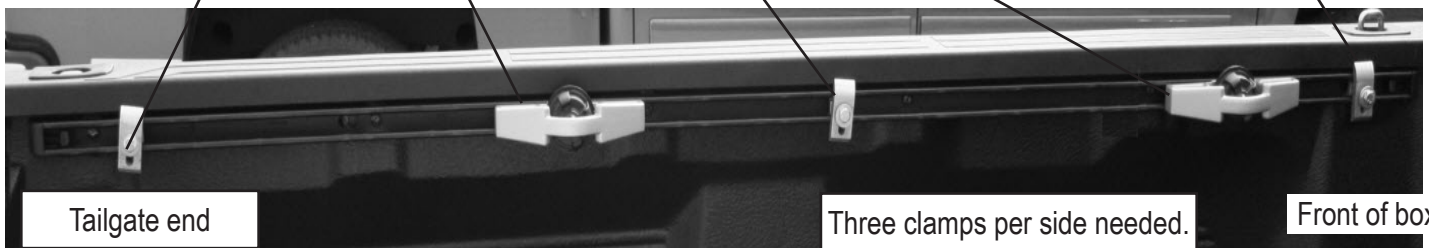
Item	Part #	Description
1.	1706408	MALE CLAMP
2.	1703889	FEMALE CLAMP
3.	1701208	CAP SCREW 5/16" X 1 1/4"
4.	1700428	FLAT WASHER 5/16"

3 Slide clamps into cargo rail as shown below. Evenly space the clamps (see step 4). Tie down cleats can be reinstalled at this time, if desired. Leave clamps loose at this time. Reinstall cargo rail end plugs.

Repeat steps 1-4 for passenger side clamp installation.



4 Position clamp here Position clamp here Position clamp here
 Position Rear tie down here Position Front tie down here



5 Position the driver side rail (A) to the inside of the truck's bed rail. With the tailgate closed, slide the rail back until the rear seal is slightly compressed against the tailgate. Adjust the rail vertically so that the seal is flush with the truck bed caps.

End Plug Seal

Trigger Latch

NOTE: The trigger latch is included on the driver side rail only.

6 For optimal latching performance and cover fit, the side rails (A & B) should be level with the truck bed caps and not tilted up or down. Tighten all clamps with a 1/2" wrench or socket.

Cargo Rail

Clamp Assembly

Side Rail Level With Bed Cap

7 If included with your cover, clean the top of the bulkhead to install the bulkhead seal (E). Peel the backing and adhere the seal from one bedrail edge to the other. Remove any excess with scissors or a utility knife. If the truck has a drop in bedliner, no seal will be needed.

E

8 On the cover assembly (C), identify the driver and passenger front header end plugs. Remove both plugs by pulling them outward as shown below.

9 Install the bolts (H) by sliding them into the header as shown below. Do this on both driver and passenger sides.

10 Reinstall both end plugs as shown below.

11 Place the cover (C) on the side rails towards the front of the truck bed (near the cab). The front header seal is designed to help shed water and should be sitting on top of the bulkhead.

Front Header Seal

Bulkhead

Bed Rail

FRONT HEADER & COVER ASSEMBLY (COVER NOT SHOWN FOR CLARITY)

SCREW IN FRONT HEADER (H)

OBLONG HOLE IN SIDE RAIL

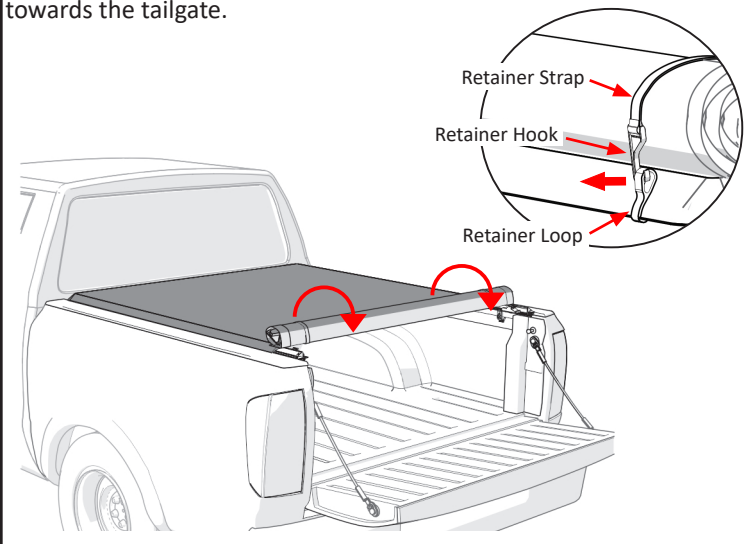
CARGO RAIL

G

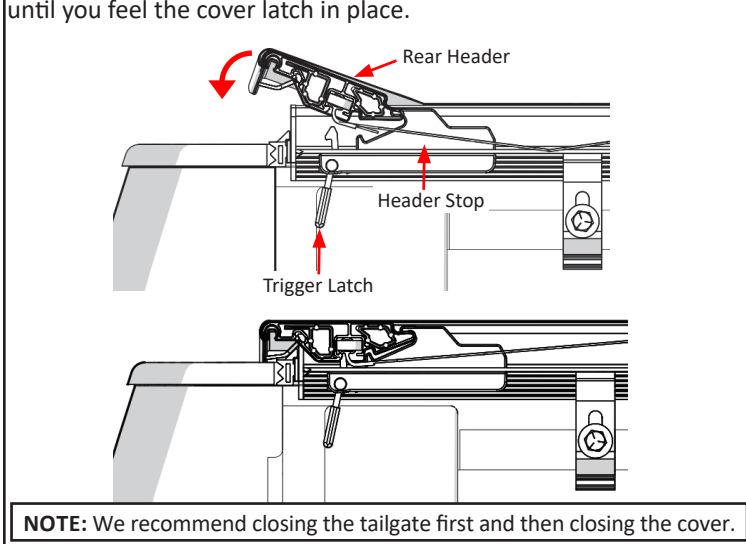
F

CLOSING THE COVER

- 12** To drive with the cover in the closed position, disengage the retainer hooks from the retainer loops and unroll the cover towards the tailgate.

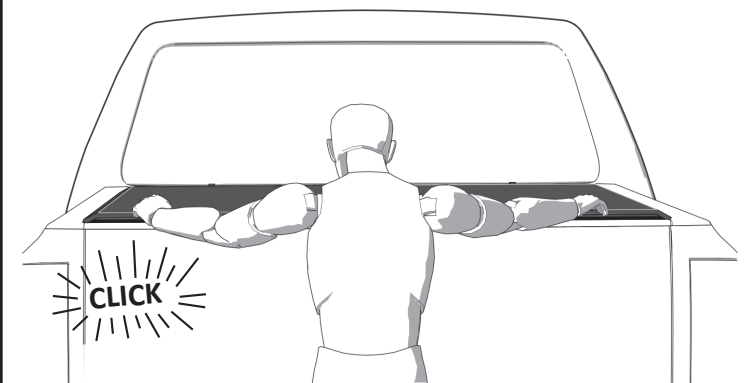


- 13** Place the rear header into the header stops which are located on both side rails. Rotate the rear header downwards until you feel the cover latch in place.

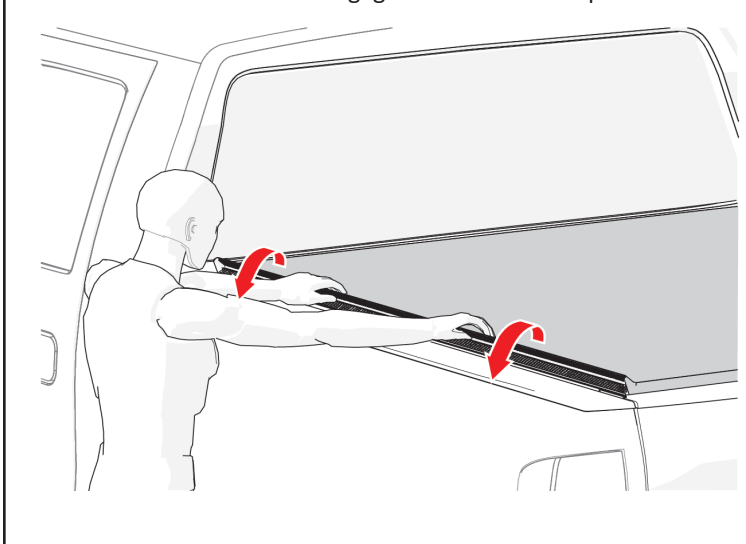


- 14** A clicking sound will indicate a correctly installed cover. Next secure the hook and loop fastener along the entire length of both side rails before driving the vehicle, see steps 15 and 16.

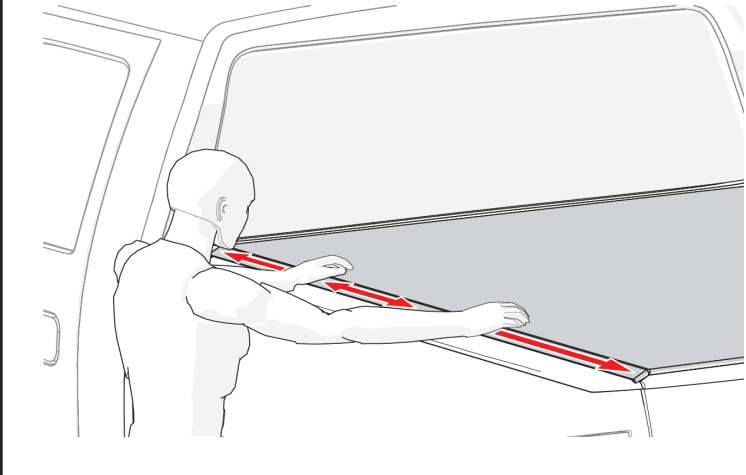
NOTE: If the tailgate has a key lock, the cover is secured until the tailgate is unlocked and opened.



- 15** To secure the hook and loop grab the fabric and pull evenly over the hook track to engage the hook and loop.

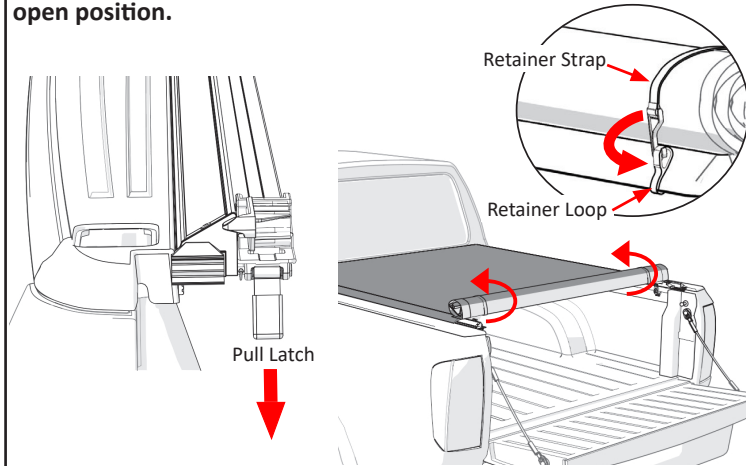


- 16** Once the side of the hook and loop are engaged, use the palm of your hand to firmly push the loop strip into the hook track the entire length of the cover. This will prevent wind from lifting the cover and causing possible damage. Do this on both driver and passenger sides.



COVER IN THE OPEN POSITION

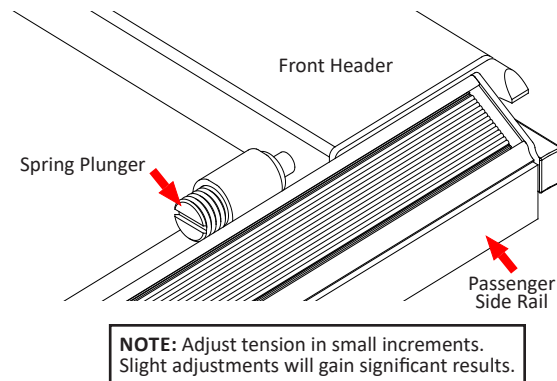
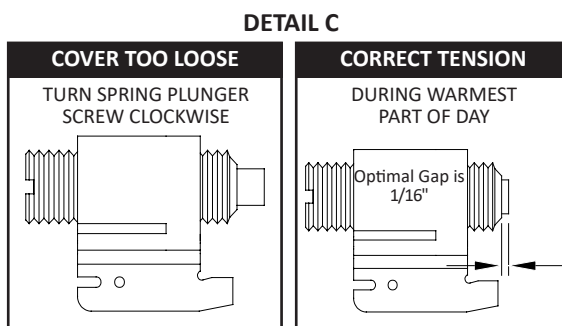
- 17** To drive with the cover in the open position, pull the latch towards you to release the cover (located on driver side rail). Roll the cover toward the cab of the truck, making sure that both sides roll evenly. Secure the cover by placing both retainer hooks into the retainer loops. **You are ready to drive with the cover in the open position.**



AUTOMATIC TENSION CONTROL ADJUSTMENT

18 Lo Pro is equipped with Automatic Tension Control. This helps compensate for material expansion and contraction caused by extreme temperature changes. Proper tension allows the cover to look and perform at its best. While preset at the factory, you can check cover tension after installation as well as seasonally.

If the cover feels too tight or too loose when opening or closing it, adjust the tension during the warmest part of the day. With the cover closed, release the hook and loop fastener from both side rails near the cab. Check compression of both spring plungers against the front header per Detail C. Roll the cover open and make adjustments. Repeat until satisfactory tension has been achieved.



WARRANTY DURATION

TruXedo®, Inc. ("TruXedo") offers a LIFETIME warranty on Lo Pro, Deuce and Pro X15. Warranty is limited to original purchaser of truck bed cover and is nontransferable. The warranty registration must be on file and/or proof of original purchase (detailed and dated receipt) required for warranty service.

WARRANTY CONDITIONS

This warranty is against defective materials or workmanship. The warranty is void if the product has been damaged by accident, unreasonable use, neglect, improper service/installation/removal, modifications, normal wear and tear or other causes not arising out of defective materials or workmanship. Consequential and incidental damages are not covered under this warranty. TruXedo's obligation under this warranty is limited to repairing or at its option, replacing any part that is returned, transportation prepaid, to Yankton, South Dakota, if the product is, in our judgement, defective. All materials must be accompanied by an RMA (Return Material Authorization) number requested by and authorized in advance of returning the materials. TruXedo shall not be liable or responsible to supply or pay labor to replace any part found defective, nor shall it be liable for any damages of any kind or nature to person, product, or property.

- Please register the warranty online at truxedo.com
- Direct all warranty claims to TruXedo at **877-878-9336**
- For available installation videos, visit the TruXedo **YouTube** channel

The Following Conditions will Void Warranty:

- **Wind Whip Damage** – The cover must be secured at all points when the vehicle is in motion. An unsecured cover will flap, resulting in damage to the vinyl fabric.
- **Improper Cleaning** – It is recommended to use the tested and approved TruXedo PROTEX or clean with soap and water only. Do not use vinyl conditioners (i.e. Armor All®) because they will shrink the vinyl.
- **Overloading of cargo** – Cargo should not contact the tarp at any point. Protrusions in the tarp will stress the vinyl fabric. Cargo may also shift while traveling causing it to press against the vinyl fabric and damage it.

OWNER/USER RESPONSIBILITIES

It is the responsibility of the owner/user to read this manual and comply with the operating procedures. The owner/user is also responsible for inspecting the TruXedo cover and for having parts repaired or replaced when worn or damaged. Failure to follow safety instructions and warning labels could result in failure of your cover system and/or personal injury.

IMPORTANT OPERATING TIPS

- DO NOT roll cover into rear cab window. DO NOT stow against cab.
- After closing the cover, the operator must secure the hook and loop by running their hand down the driver and passenger side rails, pushing down on the cover material.
- If the side rails are tipping, adjust the clamps in order to level the side rails and ensure a proper fit.
- The tonneau cover must be free of foreign material including snow and ice before rolling open or closed.



SAFETY INSTRUCTIONS

- DO NOT place objects on or against cover or framework.
- DO NOT tie cargo to truck bed cover framework.
- DO NOT attempt to drive with the cover in the partially open position.
- DO NOT operate vehicle with objects on top of the cover.
- NEVER allow children or pets to occupy pickup box while cover is closed.
- Cover is not airtight. Special care is required to keep cargo clean and dry.
- Tonneau covers won't prevent theft of contents inside truck box.
- The cover assembly (tarp) must be rolled fully open and secured with retainer straps when towing vehicle backwards.
- If the cover is going to be rolled open for an extended amount of time, periodically re-roll the cover and secure the retainer straps to ensure the cover doesn't rest against the cab of the truck.
- A fully rolled cover in the open position must always be secured with retainer straps.

TROUBLESHOOTING TIPS

- **WRINKLES ON THE VINYL FABRIC AFTER ROLLING COVER CLOSED**
 - Pull the vinyl fabric taut from each side. For best results, the help of a second person pulling on the opposite side is preferable.
- **SAGGING VINYL FABRIC BETWEEN THE CROSS BOWS**
 - Adjustment to automatic tension control may be required. See Step 18.
- **WIND LIFTS UP THE EDGE OF THE VINYL FABRIC**
 - Make sure to engage the hook and loop on the driver and passenger side rails after closing the cover. This may need to be done periodically when taking long trips.
- **VINYL FABRIC FLUTTERS EXCESSIVELY WHEN DRIVING**
 - Check cover tension, refer to Step 18.
 - Make sure hook and loop fasteners are set. See Step 15 and 16.
- **SNOW AND ICE ACCUMULATION ON THE VINYL FABRIC**
 - Use broom or brush to remove loose snow and ice. DO NOT use sharp or pointed tools to remove snow and ice.
 - Direct sunlight will help melt snow and ice off the vinyl fabric.
- **TONNEAU COVER WILL NOT LATCH**
 - Check side rails to make sure they are level. See Step 6.
 - Make sure the header seal is not caught between side rails & header.
 - Check the position of side rails on the pickup box. They may be positioned too low. See Step 6.
 - Make sure the cover has proper tension. See Step 18.
- **VINYL FABRIC IS TOO TIGHT OR TOO LOOSE**
 - See Step 9 to adjust tension.
- **VINYL FABRIC HAS SHIFTED TOO FAR TO ONE SIDE**
 - Unlatch the cover at the tailgate, release the hook and loop along both sides, go to the shorter side of the tarp and tug. The vinyl fabric will slide in the aluminum headers. Pull on the shorter side until the tarp appears centered on the whole system. Latch the cover and secure the hook and loop down both sides. Repeat if more adjustment is needed.

COVER CARE AND MAINTENANCE

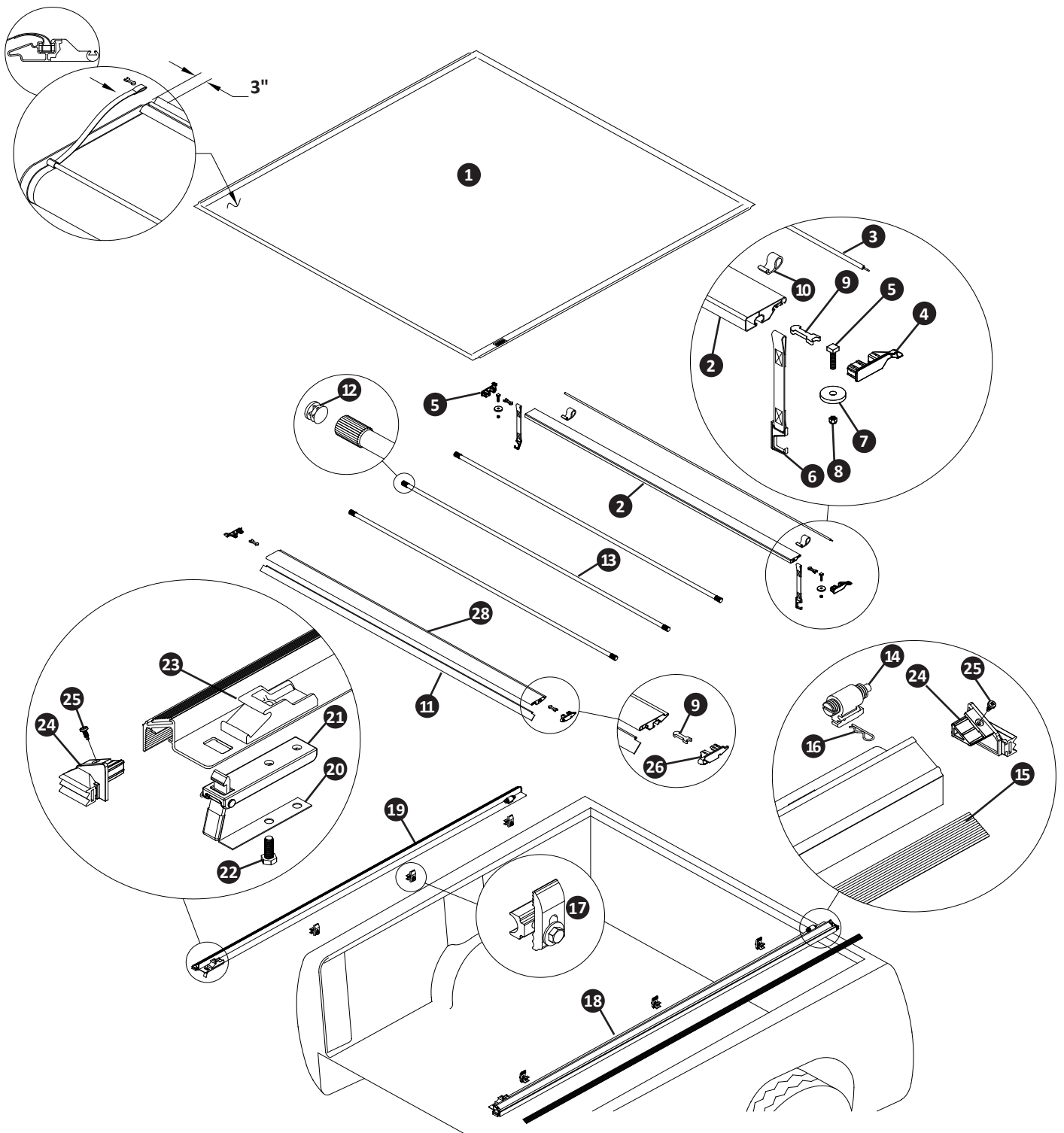
- It is recommended to use the tested and approved TruXedo PROTEX or clean with soap and water only. Do not use vinyl conditioners (i.e. Armor All®) because they will shrink the vinyl.
- It is recommended that you periodically check that the cover is securely attached to your truck bed. Inspect the clamps and front header guide slides to ensure they were properly installed and have not come loose during operation.
- It is recommended that you periodically inspect and service the rear latch closure. Clean away any excess dirt or grime.
- Covers that are used frequently or are subject to vibrations and impacts from rough roadways may require adjustment.

FAQ

- **WHY IS THERE A HOLE PUNCHED AT THE REAR OF THE PASSENGER SIDE RAIL OF THE TRUXEDO LO PRO, DEUCE AND PRO X15 BUT NO LATCH?**

All side rails are punched identically to keep them uniform, to ensure manufacturing efficiency and to reduce tooling costs. By doing this, TruXedo can build and ship more covers while maintaining competitively priced products of the highest quality.
- **WHY IS MY COVER HOLDING WATER AFTER IT RAINS?**

Water pooling on the cover is normal because our cross bows are not arched. Since they are designed to sit flat some water may accumulate on the top of the cover. Once you drive your truck, the water will shed from the cover. Make sure to retighten the hook and loop fasteners along the length of the bed.



TRUXEDO® LO PRO REPLACEMENT PARTS

1	*	TruXedo® Lo Pro Replacement Cover	11	*	Header Seal Rear	20	1705727	Flat Spring, 5/8" x 3 7/8"
2	*	Black Front Header	12	1705052	End Plug, 1" OD	21	1704213	Latch Assembled
3	*	Header Seal Front	13	*	Black Bow	22	1702926	Cap Screw, 5/16" x 7/8"
4	1117540	Front Header 08 End Plugs (Set of Two)	14	1115356	Tension Control	23	1704187	Header Stop
5	1703455	Sq. Hd. Cap Screw 3/8" x 1 1/2"	15	*	Hook and Loop Fasteners	24	1118094	Side Rail End Plugs w/Seal (Set of Two)
6	*	Retainer Strap	16	1703332	Hitch Pin, 1/16" x 1 5/16"	25	1705629	Square Drive Head Screw (#1 Drive)
7	1115745	Washer Plastic 1/4" x 1.50 Dia.	17	1706843	Aluminum Clamp Assy	26	1117467	Rear Header 08 End Plugs (Set of Two)
8	1701580	Hex Lock Nut, 3/8"-16	18	*	Side Rail, Passenger's Side	28	*	Black Rear Header
9	1115354	Header Insert Retainer Arrow	19	*	Side Rail, Driver's Side			
10	*	Extruded Retainer Loop						

* Please specify length or make and model of vehicle.