

INSTALLATION INSTRUCTIONS

CUSTOMER SERVICE

Phone: 877-878-9336 • 8:00 am - 5:00 pm Mon - Fri CT

Email: customersupport@truxedo.com

TOYOTA TUNDRA 2022+ WITHOUT DECK RAIL OWNER'S SUPPLEMENT

SIDE RAIL CLAMP INSTALLATION

TOOLS RECOMMENDED

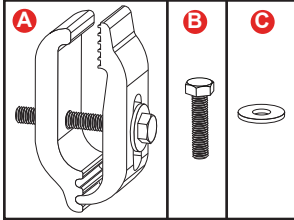
- Spring clamps

TOOLS REQUIRED

- 10mm socket
- 3/8" Drive ratchet

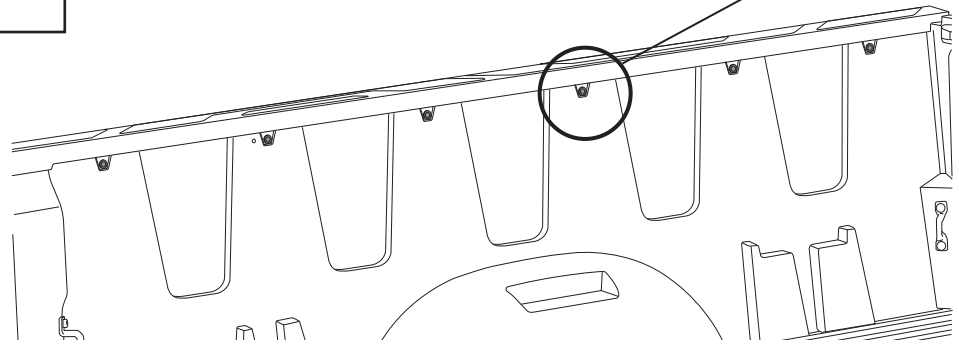
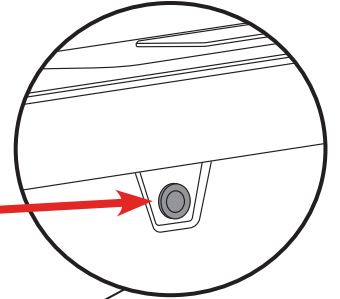
PARTS INCLUDED

- A** 6x Clamps
- B** 6x 6mm Bolts
- C** 6x Washers

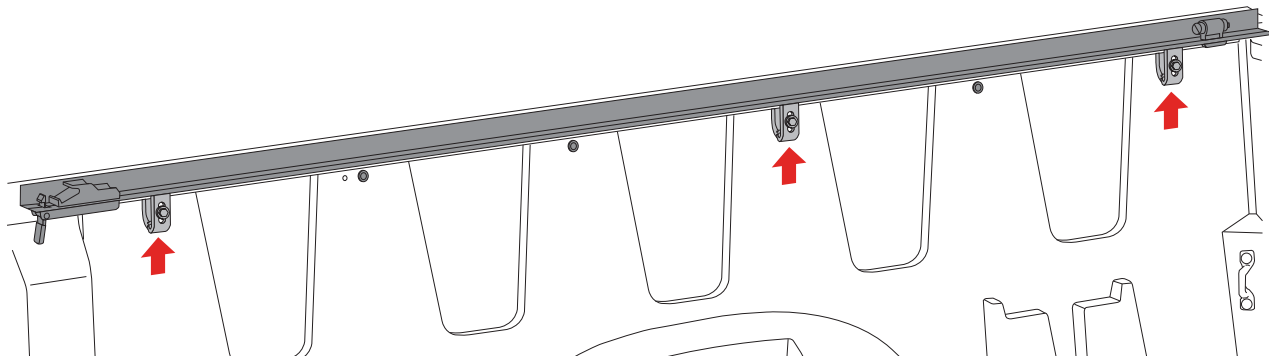


NOTE: It is important that all areas are clean and free of debris prior to installing.

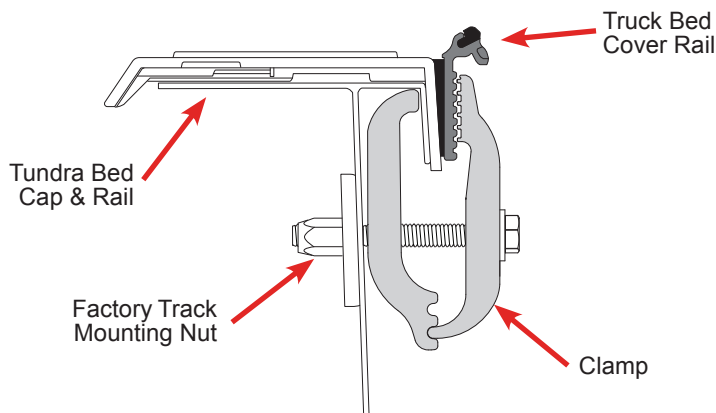
Locate the Factory Track Mounting Nut



Position the driver side rail against the truck's bed rail. Secure the rail to the truck bed using the factory track mounting nuts and supplied 6mm bolts (B) and washers (C). Install 3 clamps (A) closest to the tailgate, closest to the cab, and middle hole, as shown below. Finger tighten the clamps, making sure the teeth properly engage with the grooves of the side rail. Repeat on the passenger side rail.



NOTE: The use of spring clamps to hold the side rail in place can assist during the installation process.



Return to the standard owner's manual for rail adjustments and final clamp tightening.