

INSTALLATION SHEET

Any damaged or missing parts?

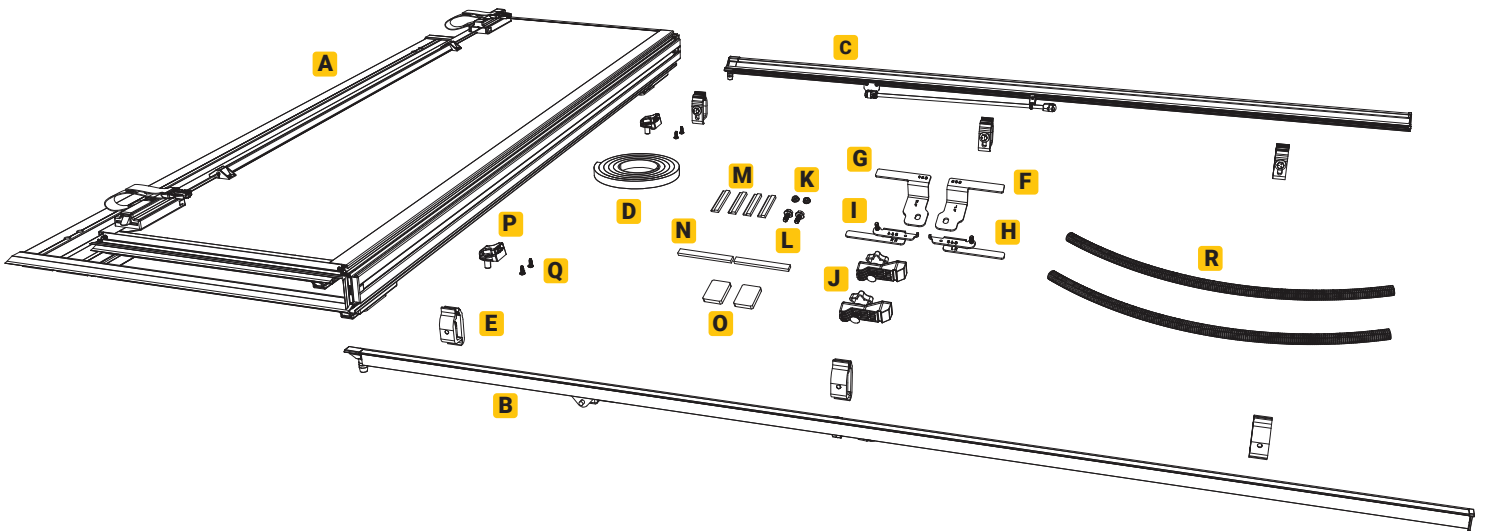
Parts will be shipped to you directly.

Call 866-900-8800 Mon - Fri 8:00 am - 5:00 pm CST
or email info@undercoverinfo.com

TOOLS REQUIRED

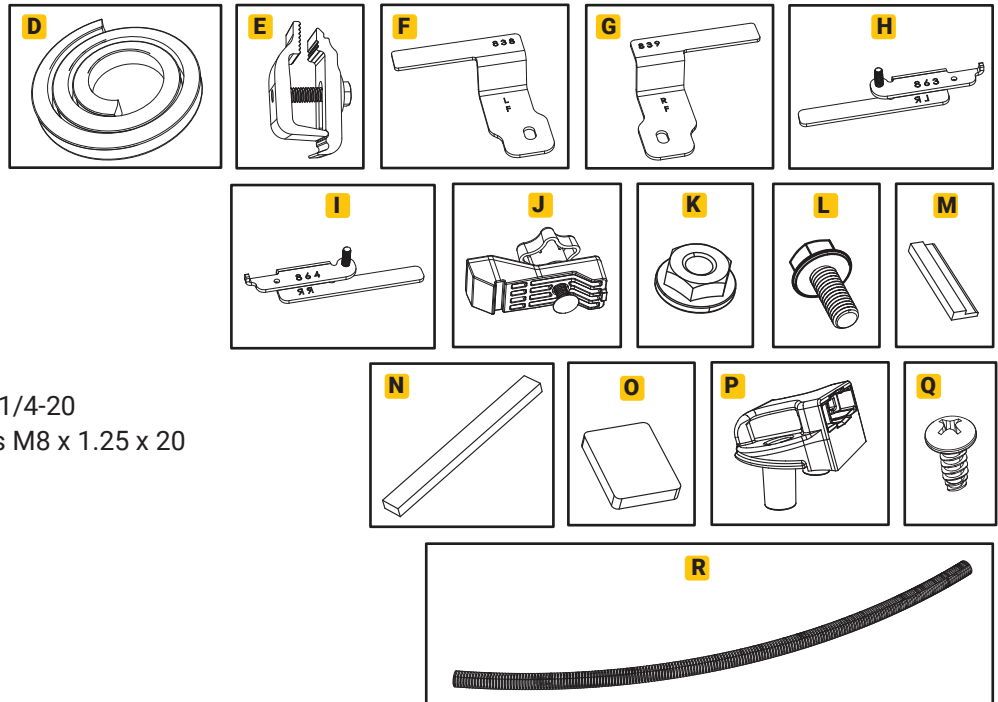
- Scissors or utility knife
- Isopropyl alcohol
- 1/2" Wrench or socket
- Phillips screwdriver
- 7/16" Wrench
- 13mm Wrench or socket

NOTE: It is important that all areas where the bed cover mounts are clean and free of debris prior to installing.

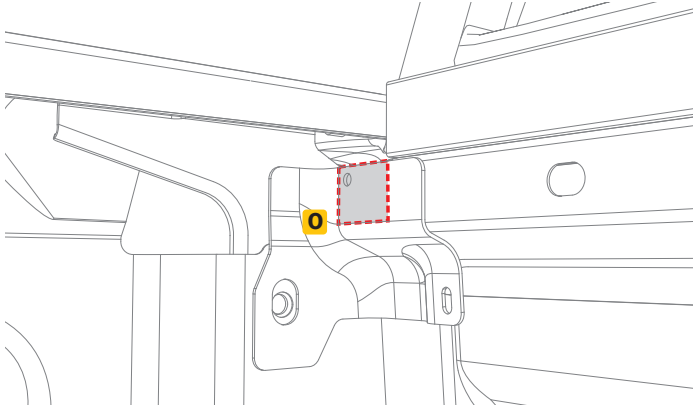


PARTS INCLUDED IN YOUR KIT

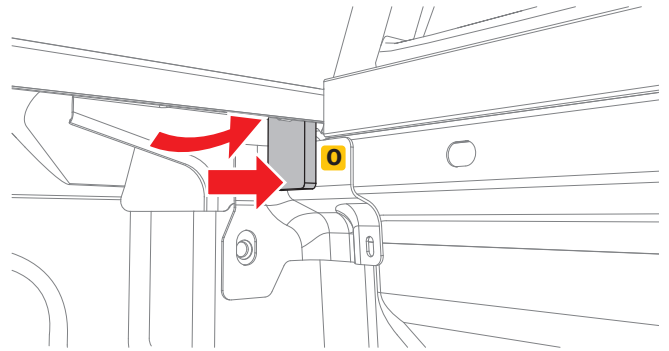
- A** 1x Hard fold cover
- B** 1x Driver side rail
- C** 1x Passenger side rail
- D** 1x Bulkhead seal
- E** 6x Clamp assembly
- F** 1x Driver front truck bracket
- G** 1x Passenger front truck bracket
- H** 1x Driver rear truck bracket
- I** 1x Passenger rear truck bracket
- J** 2x Cover retainer clamps
- K** 2x Rear truck bracket mounting nuts 1/4-20
- L** 2x Front truck bracket mounting bolts M8 x 1.25 x 20
- M** 4x Step spacers
- N** 2x Rubber spacers
- O** 2x Foam pad bulkhead seals
- P** 2x Buckle ends
- Q** 4x Screws
- R** 2x Drain tubes



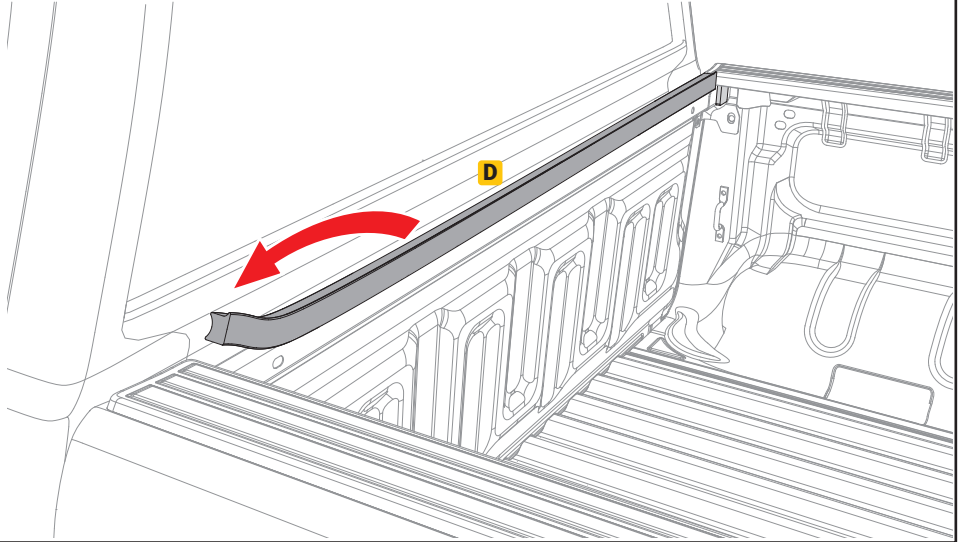
1 Installing Seals: Clean the area where the seal will go with soap and water to remove dirt and debris. Then clean the area with isopropyl alcohol to remove wax or grease and to evaporate any remaining water, allow the surface to dry. Remove the backside adhesive covering from the foam pad bulkhead seals (O).



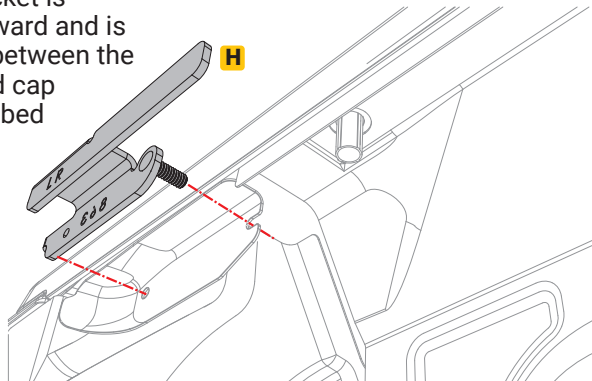
Then position the foam pad bulkhead seal (O) corner under the bed rail cap and onto the bulkhead face and apply pressure to the entire seal to make sure the adhesion is good on driver and passenger side.



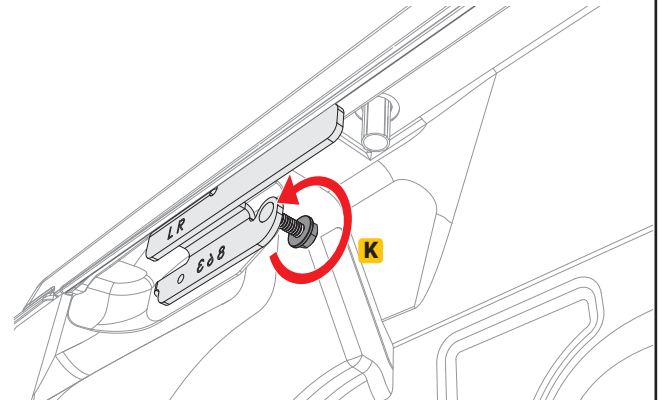
2 Clean the top of the bulkhead the same way you did in step 1. Then peel the backing from the bulkhead seal (D) and adhere the seal from one bulkhead edge to the other. Remove any excess with scissors or a utility knife. Apply pressure evenly to the entire seal to ensure proper adhesion. If the truck has a drop-in bedliner, the front lip of the bedliner must be trimmed off, exposing the top of the front bulkhead. Place the front bulkhead seal as previously instructed. This will allow the front bulkhead seal to sit flush with the top of the bed caps.



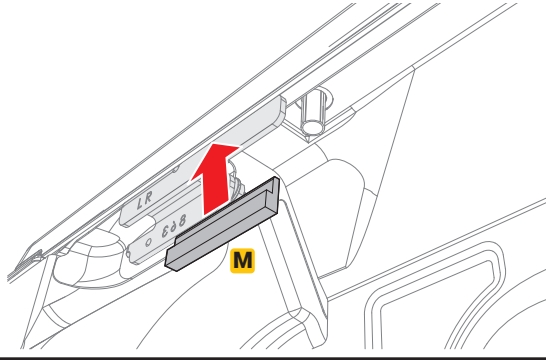
3 Installing Rear Brackets: Locate the small hole and slot above the rear taillight post underneath the bed rail towards the tailgate on either side. Gently lift the edge of the plastic bed rail cap and insert the driver rear truck bracket (H) under the metal bed rail. The locating tab should go into the hole and the 1/4" pem stud should slide into the slot opposite the hole. Make sure that the thin, flat portion of the bracket is facing forward and is placed in between the plastic bed cap and metal bed rail lip.



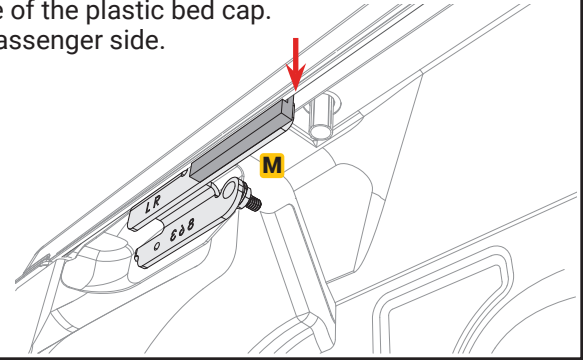
4 Once the bracket is in place, use the rear truck bracket mounting nuts 1/4-20 (K) and thread onto the pem studs and tighten using a 7/16" wrench. Careful not to over tighten. Repeat on passenger side using passenger rear truck bracket (I) under the metal bed rail.



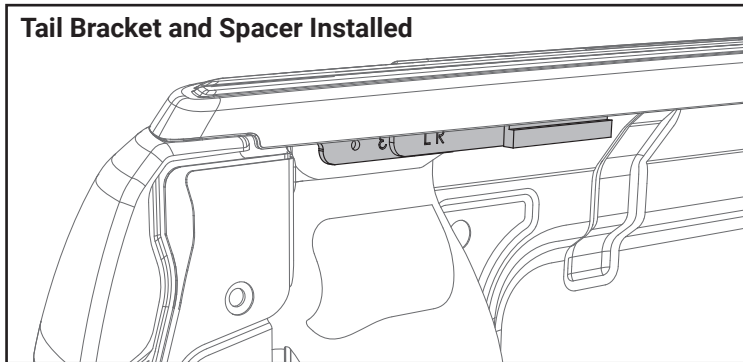
- 5 Installing Step Spacers:** Use one of the step spacers (M) and place on either side at the front of the driver rear truck bracket as shown.



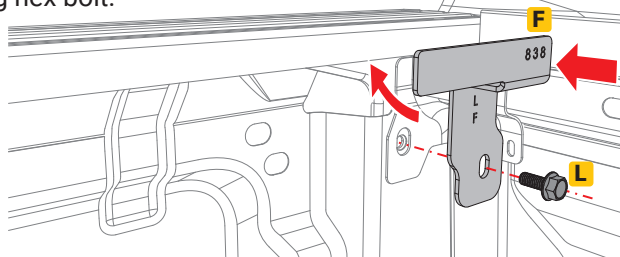
- 6** Slide the 1/8" portion of the step spacer in between the plastic bed cap and rear truck bracket to fill the gap, flush with the front end of the bracket. The step portion of the spacer should stop against the bottom edge of the plastic bed cap. Repeat on passenger side.



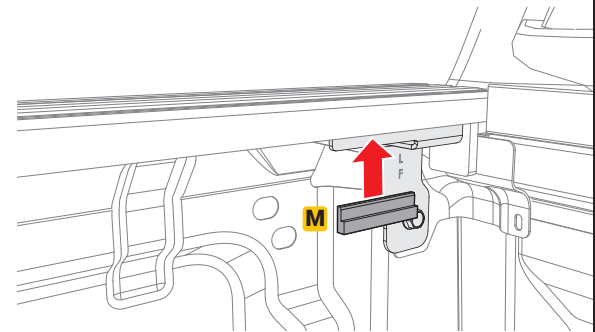
Tail Bracket and Spacer Installed



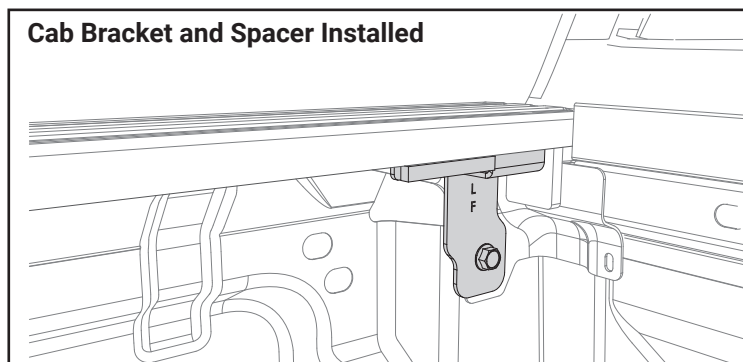
- 7 Installing Front Brackets:** Locate the front of the truck mounting brackets. Slide the flat flange portion of the driver front truck bracket (F) in between the plastic bed cap and metal bed rail lip and move upward until the bracket bottoms out and the slotted hole lines up with the top threaded hole in the front corner, on the side. Using the front truck bracket mounting Bolts M8 x 1.25 x 20 (L) and thread into the top threaded hole and tighten using a 13MM wrench. Repeat on passenger side with front truck bracket (G).
Note: If truck has a spray in bed liner threads may need to be cleaned out first before installing hex bolt.



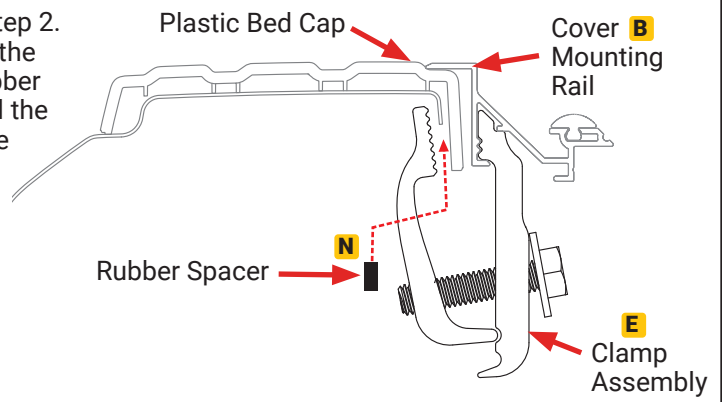
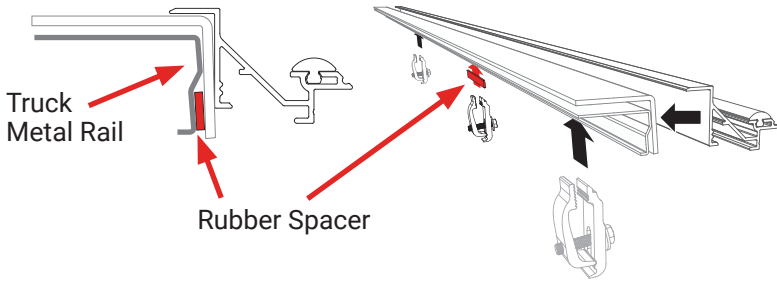
- 8 Installing Step Spacers:** Use the remaining two step spacers (M) and place on either side at the rear of the front bracket. Slide the 1/8" portion of the step in between the plastic bed cap and front bracket to fill the gap, flush with the end of the bracket. The step portion of the spacer should stop against the bottom edge of the plastic bed cap. Repeat on the passenger front truck bracket (G) under the metal bed rail.



Cab Bracket and Spacer Installed

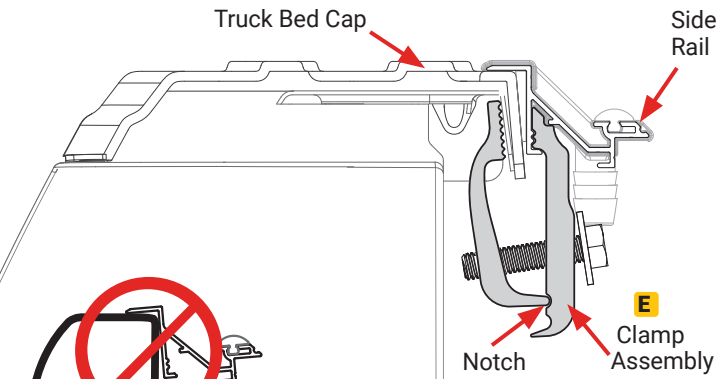


9 Installing Clamps: Clean the rail the same way as you did in step 2. Stick one of the rubber spacers (N) to the bed rail adjacent to the middle clamp rail spacer prior to installing the mounting rail. The rubber spacers should be mounted on the lower portion of the bed rail. Peel the backing and adhere the rubber spacer (N), as illustrated, between the truck plastic bed cap and truck metal rail. Attach both left and right side rails to the truck bed. Position the top edge of the mounting rail flush above the top edge of your truck bed rail. Use three clamp assemblies (E) per side. Loosely tighten.



Note: If you discover your truck will not allow you to position a clamp adjacent to the spacer, simply slide the spacer forward or back as needed.

10 For the best (B) fit, the side rails (B & C) should be level with the truck bed cap and not angled up or down. Insert the backside of the clamp as high as possible and tighten clamp.

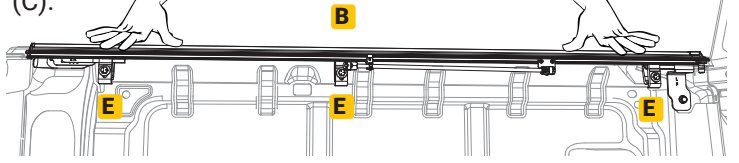


Do NOT tilt rails

IMPORTANT: In order for the cover (C) to operate properly with the side rails (B & C) **MUST** be square (90° angle) to the truck bed rails. This allows the rear latch to engage properly.

11 Installing Driver Side Rails: Apply downward pressure to the driver side rail (B) when tightening each clamp to ensure the rail sits flush and seals properly. A second set of hands may help.

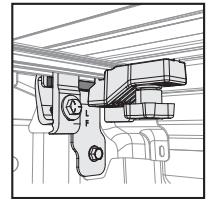
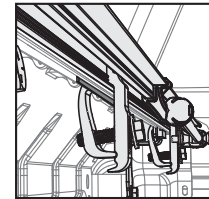
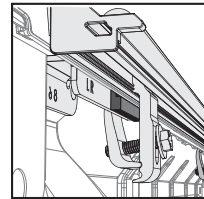
Tip: Mount the center clamp first but do not tighten completely. This will give you the ability to adjust the rail as the outer clamps are attached. Repeat on passenger side rail (C).



Rear clamp installed with step spacer

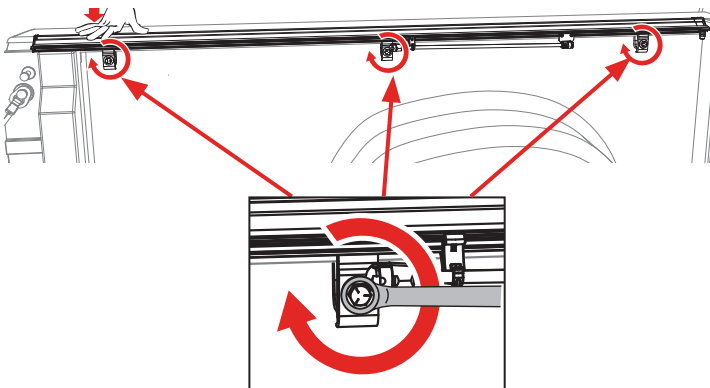
Middle clamp installed with rubber spacer

Front clamp installed with step spacer



NOTE: If the rails are leaning down, have one person stand on the outside of the bed and slightly roll the rails upward while another person slowly snugs the clamps up. If the clamps are tightened too quickly or overtightened, it will cause the rails to lean down.

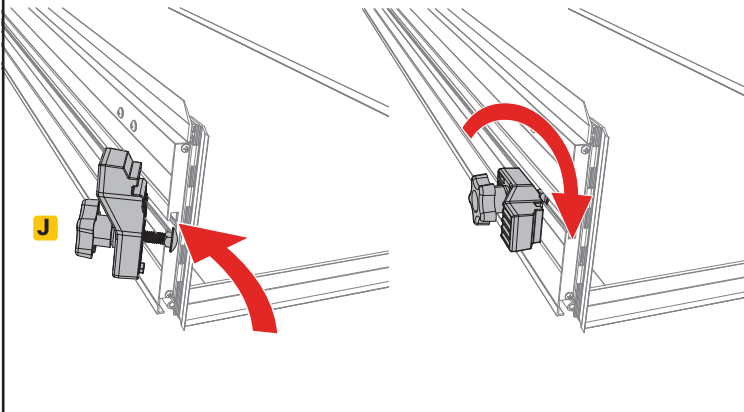
12 Tighten all clamps to 10 ft/lbs of torque with a 1/2" wrench or socket. **Caution: Do NOT overtighten!**



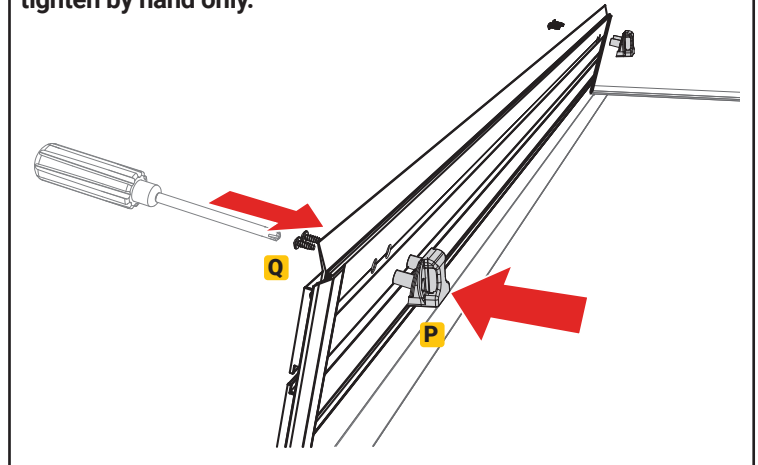
13 Attach the drain tubes (R) to the front of the side rails (B & C) to allow water to be diverted out of the truck bed via the rail. The opposite end of the drain tubes can be placed behind a bedliner, through the bed plugs, or by drilling a 5/8" hole in the bulkhead.



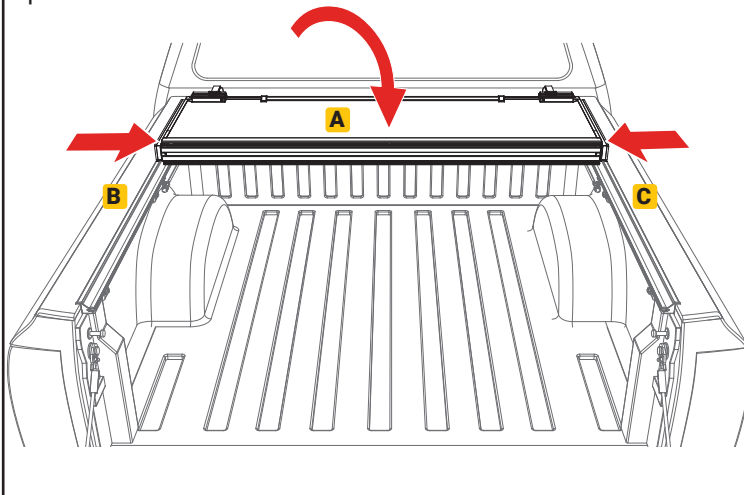
14 **Installing Bed Cover:** Before placing the cover (C) onto the vehicle, slide two front cover retainer clamps (F) into the track on the underside of the cover (C) near the cab. Confirm the cover retainer clamps fit properly into the cover rail for optimum fit. Repeat on the opposite side of the cover.



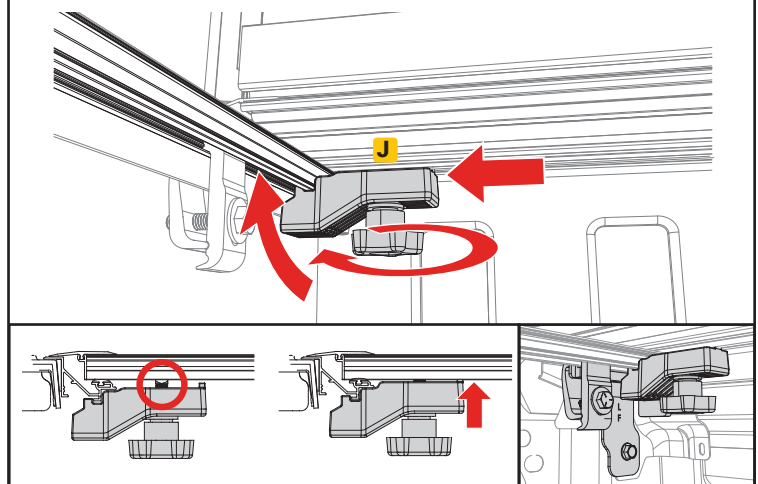
15 Position the buckle ends (P) with the open side facing the bed cover panel. Use a Phillips screwdriver to install the two buckles into the pre-drilled holes on the front header panel with the provided screws (Q). **DO NOT use a screw gun, securely tighten by hand only.**



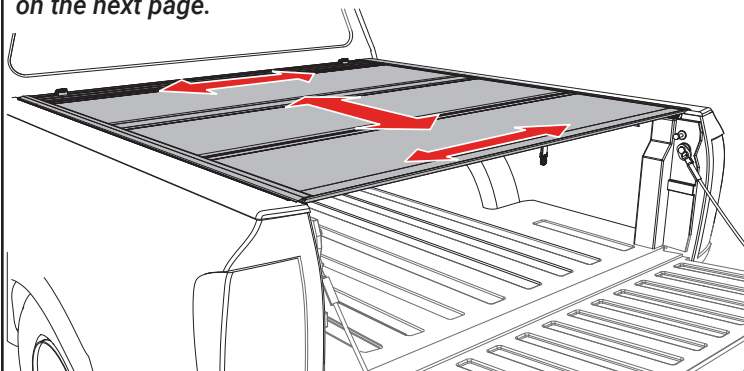
16 Set the cover (A) in the folded position on the side rails (B) & (C) towards the cab of the truck. Make sure the front flap is on top of the truck bulkhead. Confirm the cover is evenly spaced between the rails.



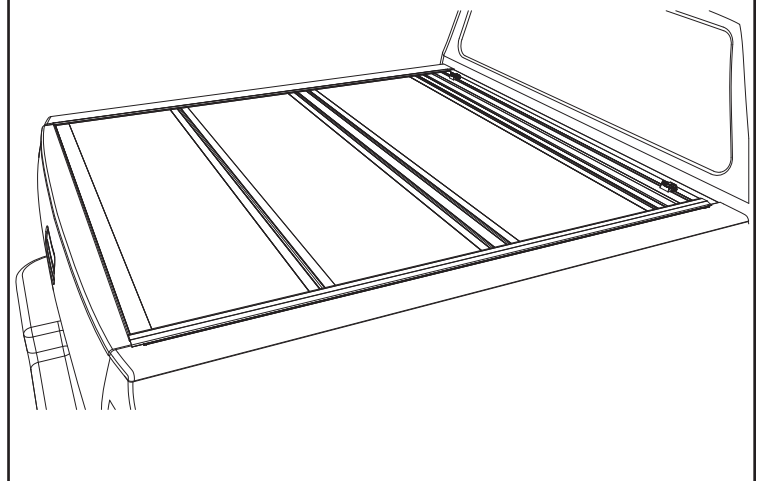
17 Confirm the retainer clamps (J) are positioned around the side rails (B & C) correctly as shown below. Tighten the retainer clamps by turning them clockwise until the lock washer is secure.



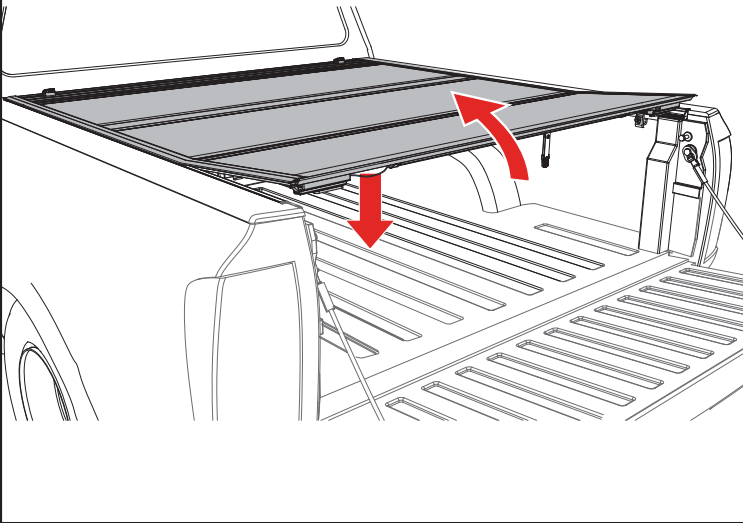
18 Unfold the hard folding cover (A) towards the tailgate. Then confirm each panel is centered side to side and front to back on the truck bed. If adjustments are needed, loosen the cover retainer clamps (J) and shift the hard folding cover (A) until positioned correctly. Re-tighten the cover retainer clamps once the desired fitment is reached. *If adjustments to the slam latch are needed, see the directions on the next page.*



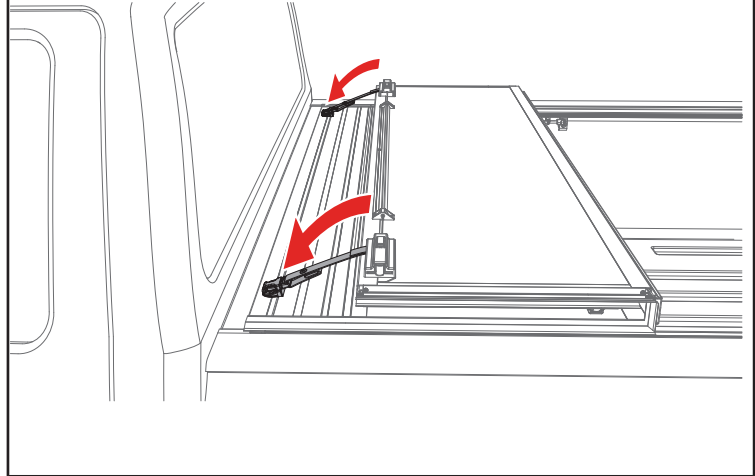
19 The rear edge of the cover assembly (A) and tailgate seal should rest on top of the tailgate. **You are ready to drive with your cover in the closed position.**



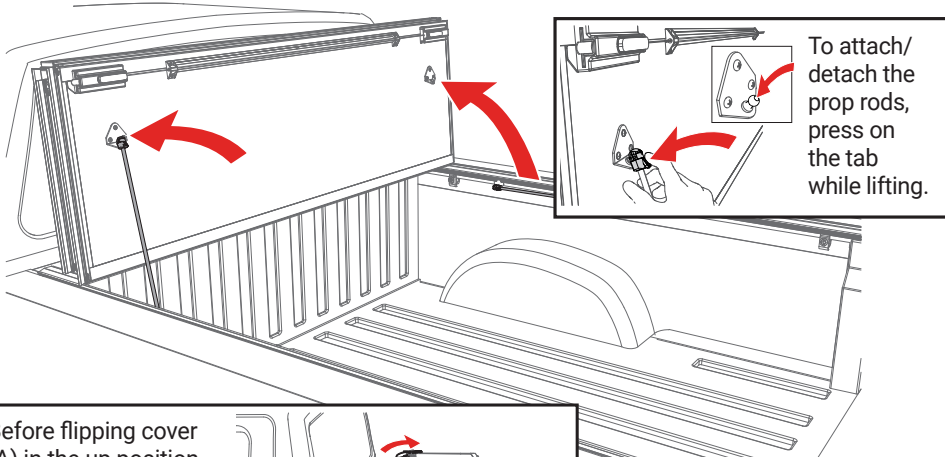
OPENING COVER: Lower the tailgate and pull the cable on either side. While pulling on the cable lift the panel up and towards the cab.



FOLDED UP POSITION: To drive with the cover (A) in the folded up position, use the straps and buckles provided with the cover. Attach the buckle at the bulkhead, then pull the strap to take up the slack and secure the cover.

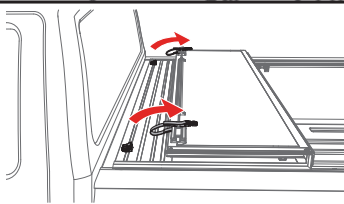


FLIPPED UP POSITION: Fold the cover (A) open and lift it until it's vertical towards your truck cab. Then release the prop rod that is attached to the side rail and clip it onto the ball stud on the underside of the cover.

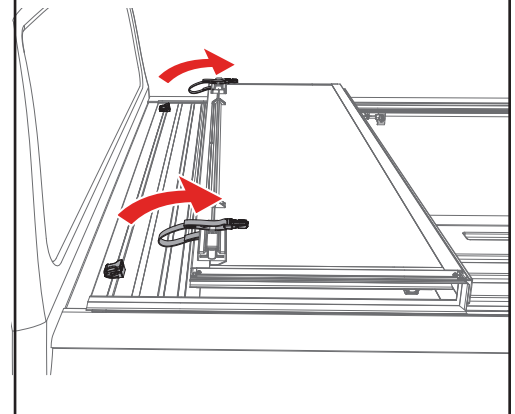


To attach/detach the prop rods, press on the tab while lifting.

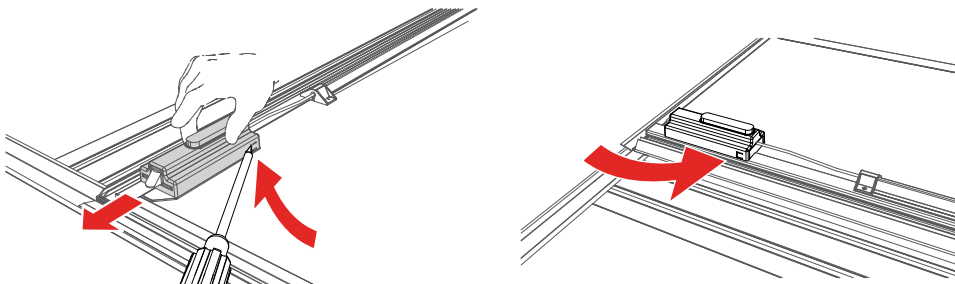
Before flipping cover (A) in the up position make sure to stow the straps using the clips on the underside of the folded cover.



CLOSING COVER: To drive with the cover (A) closed, unhook the buckles and straps from the bulkhead. Stow the straps using the clips on the underside of the folded cover. Fold all panels towards the tailgate making sure that all latches are engaged.

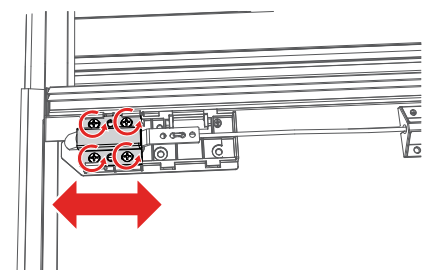


ADJUSTING SLAM LATCH



If adjustment is needed, use a straight screwdriver to partially pry open the tab on the latch housing. At the same time slide the housing away from the latch assembly.

Note: The tab is located on the opposite side of the housing on the passenger side of the cover.



With the latch cover removed, loosen the screws and move the latch bracket to adjust. Re-tighten the screws and slide the latch housing back on.

LIMITED WARRANTY

WARRANTY COVERAGE

This truck bed cover is warranted against defects in materials or workmanship as follows. This warranty is void if the product has been damaged in an accident, or due to neglect, unforeseeable use, improper installation, improper servicing, or other cause not arising out of defects in material or workmanship.

FLEX - The truck bed cover carries a limited warranty for **three (3) years** from the original date of purchase, subject to the terms below.

ULTRA FLEX - The truck bed cover carries a limited warranty for **five (5) years** from the original date of purchase, subject to the terms below.

ARMORFLEX - The truck bed cover carries a limited warranty for **five (5) years** from the original date of purchase, subject to the terms below.

WARRANTY IS NOT TRANSFERABLE

The warranty is to the initial owner purchasing the truck bed cover and it is not transferrable to a subsequent end user. Proof of purchase may be required to enforce these warranty rights.

WARRANTY CONDITIONS

Failure to follow care and use instructions will void the warranty.

- Clean with mild automotive soap and water only.
- Cover must be secured at all points when vehicle is in motion.
- Check all clamps and retention mechanisms for tightness after a week of driving following installation (or re-installation) of the cover and periodically thereafter.
- Before opening, the cover must be free of all foreign materials including snow and ice.
- Do NOT tow your vehicle from the rear with the cover on your vehicle. If towing from the rear is required, the cover MUST be removed from the vehicle and properly stored.

WARRANTY PERFORMANCE

If all warranty conditions are met, a defective truck bed cover or hardware component will either be repaired or replaced (at our option). We reserve the right, for any warranty, to substitute a newer model or bed cover having similar form and function, to offer a warranty discount on an entire replacement system, and/or provide remedies other than those mentioned in this document.

WARRANTY RETURN

A Return Material Authorization number must be obtained from our Customer Service Department prior to returning any product. We may require the original item to be returned postage prepaid for final determination. Shipping charges will apply for any repair or replacement. Other than postage or shipping charges, no charge will be made for repair or replacement under this warranty.

This warranty gives you specific legal rights. As an owner, you may also have additional rights and remedies under the laws of your state.

WARRANTY REGISTRATION

Warranty registration must be on file and/or proof of original purchase (detailed and dated receipt) required for warranty to be effective.

<https://realtruck.com/undercover-warranty>

**REGISTER
YOUR
WARRANTY
ONLINE**



Serial Number _____

Date of Purchase _____

CARE AND MAINTENANCE

The truck bed cover requires occasional cleaning with mild automotive soap and water only. Avoid using abrasive cleaners as they may dull the finish. Some chemicals and fluids such as insect repellents, oils, solvents, and lubricants could potentially damage the rubber hinges and seals and void the warranty.

CAUTION

Always read the ingredients of any product you are using to clean your truck bed cover. Make sure that you use only products that are safe for use with rubber. Many cleaners contain chemicals that could permanently discolor or damage your hinges and seals.

Periodically check that your cover is securely attached to your truck bed and working as intended. Inspect all hardware such as clamps and front mounting bolts to ensure they are properly installed and working as intended. Covers that are used in high frequency or subject to rough roadways and/or heavy vibration conditions may cause the cover to require adjustment.

It is also recommended that you regularly inspect and service each panel latch. Clean away any excess dirt or grime. Ensure all latches move freely in and properly engage the side rail to provide optimal performance and security.

SAFETY INSTRUCTIONS

- DO NOT place objects on or against cover or framework.
- DO NOT tie cargo to truck bed cover or framework.
- DO NOT operate vehicle with objects on top of the cover.
- Only operate vehicle with the cover in an approved riding position.
- NEVER allow children or pets to occupy the truck bed with the cover in the fully closed position.
- The cover is not airtight. Special care is required to keep cargo clean and dry.
- Truck bed covers will not prevent theft of contents inside the truck bed.

TROUBLESHOOTING TIPS

Leaning Rails: If the rails are leaning down, have one person stand on the outside of the bed and slightly roll the rails upward while another person slowly snugs the clamps up. If the clamps are tightened too quickly or overtightened, it will cause the rails to lean down.

Water Intrusion: Make sure front retaining clamps are tight and properly engaged to the side rails. Check that the Bulkhead Filler seal is in place and the cover is resting on it. Make sure that all latches are engaged to the side rails and adjust if needed. Check that the side rails are installed flush with the top of the bed rail.

Sticking Latch: The cable could be pinched in or under the cable guide extrusion. Loosen the three screws on the center cable guide located in the middle of the panel. Slightly lift up on the cable guide extrusion. Pull on both side of the cable.

Wavy Side Seal: Seal may be wavy when removed from box. Allow ample sunlight for seal to lay flat and relax.