

## INSTALLATION SHEET

Any damaged or missing parts?

Parts will be shipped to you directly.

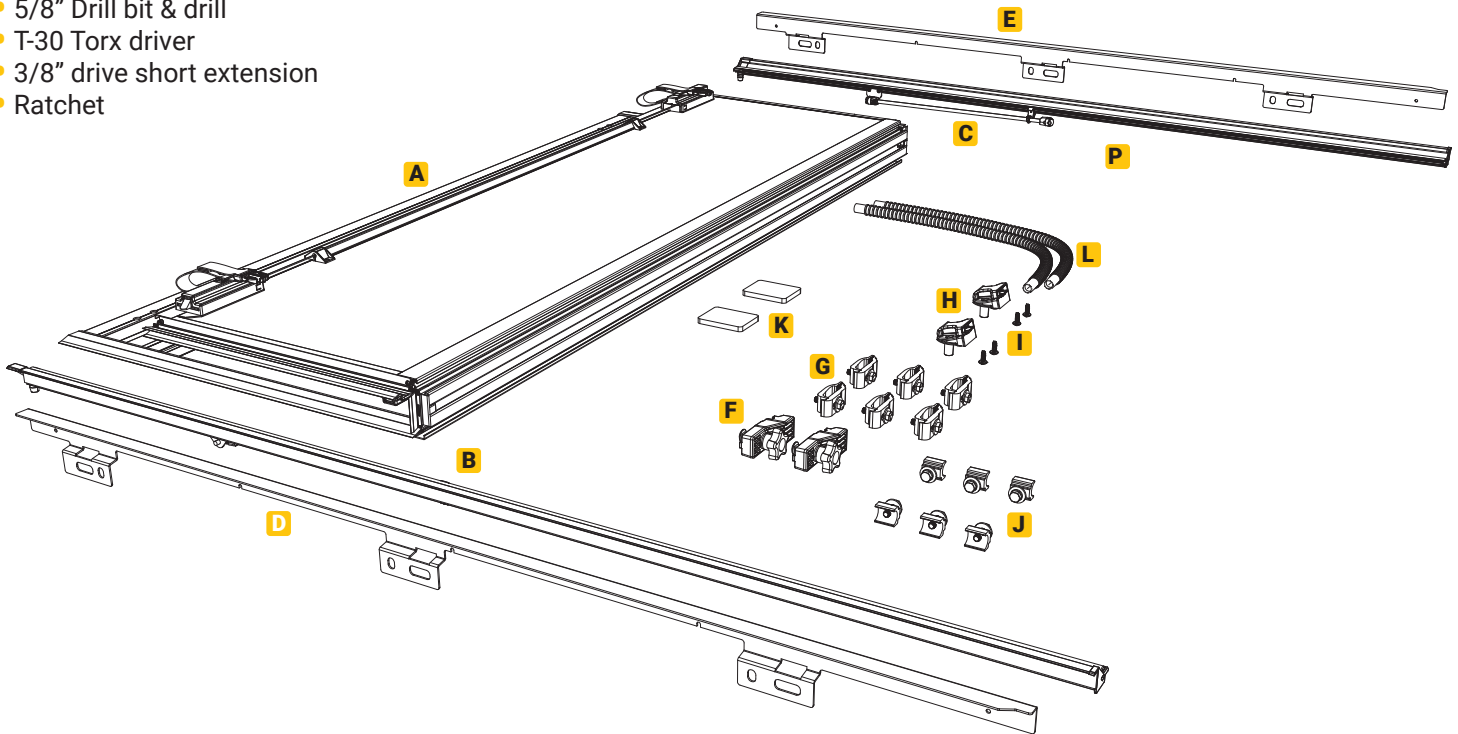
Call 866-900-8800 Mon - Fri 8:00 am - 5:00 pm CST

or email [info@undercoverinfo.com](mailto:info@undercoverinfo.com)

### TOOLS REQUIRED

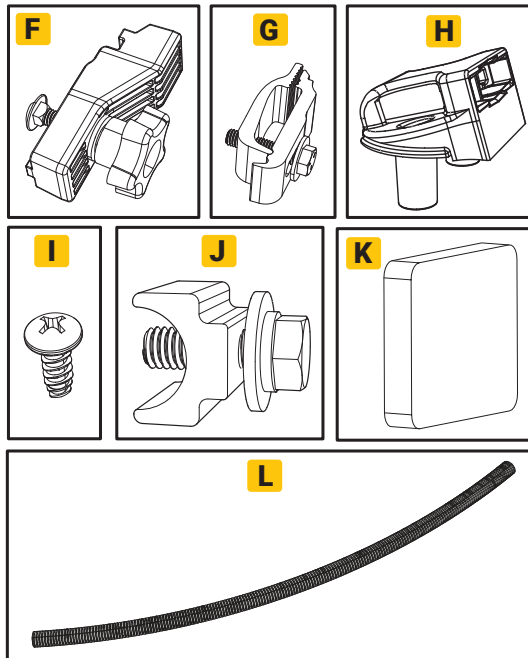
- Scissors or utility knife
- Isopropyl alcohol
- 1/2" Wrench or socket
- Phillips screwdriver
- 5/8" Drill bit & drill
- T-30 Torx driver
- 3/8" drive short extension
- Ratchet

**NOTE:** It is important that all areas where the bed cover mounts are clean and free of debris prior to installing.

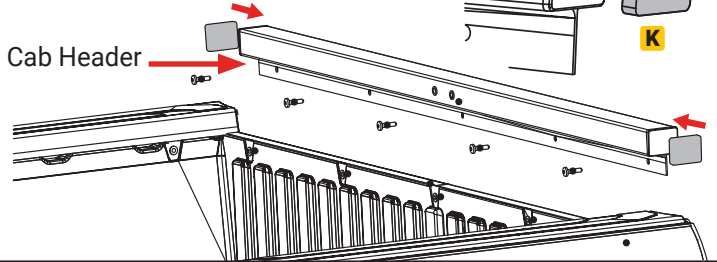


### PARTS INCLUDED IN THE BOX

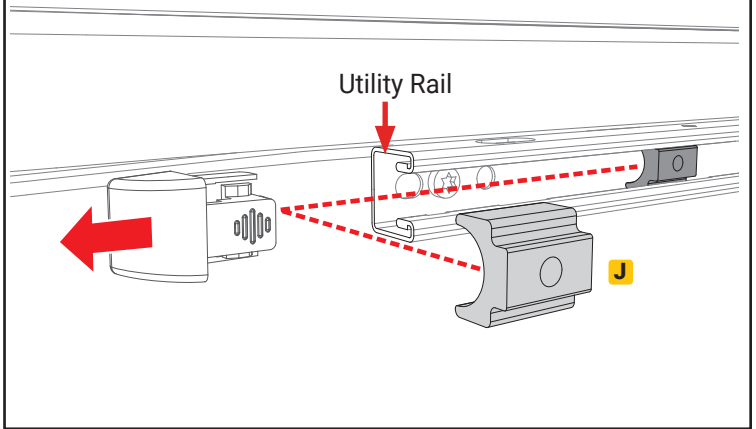
- A** 1x Hard fold cover
- B** 1x Driver side rail
- C** 1x Passenger side rail
- D** 1x Adaptor rail driver side
- E** 1x Adaptor rail passenger side
- F** 2x Cover retainer clamps
- G** 6x Clamps
- H** 2x Buckle ends
- I** 4x Screws
- J** 6x T-nut kits
- K** 2x Bulkhead gaskets
- L** 2x Drain tubes



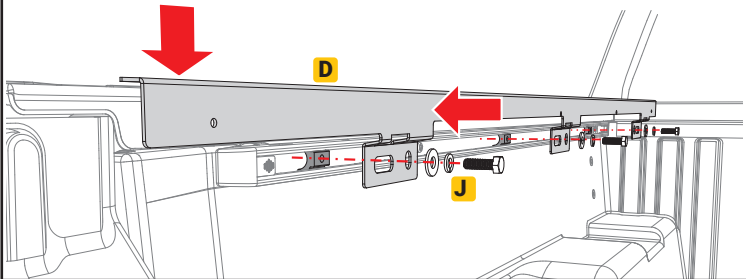
**1 Removing Cab Header and Installing Seal:** 1. Remove factory cab header using a T-30 Torx drive, 3/8" drive short extension and ratchet to remove the five fasteners securing the header rail to front bulkhead below cab rear window. 2. Clean both ends of the cab header with isopropyl alcohol to remove wax or grease and to evaporate any remaining water. Allow the surface to dry. 3. Peel backing paper off of the foam seal (K) and adhere to header rail end caps. 4. Reposition factory cab header to bulkhead. 5. Install and torque all mounting bolts to 7.5Nm (66.5 lbs-in).



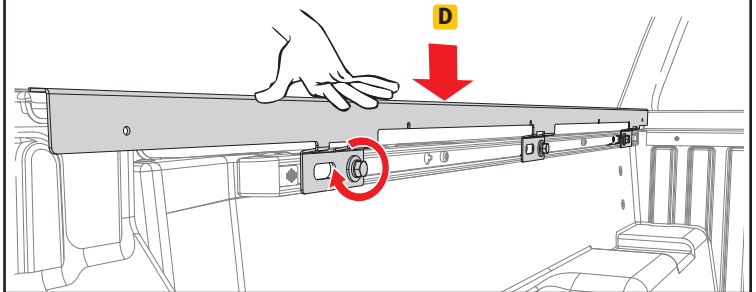
**2 Installing Clamp Kits:** Remove the factory end cap from the utility rail. Insert three T-nut kits (J) into the end of the accessory rail and put the end cap back in. Repeat on passenger side.



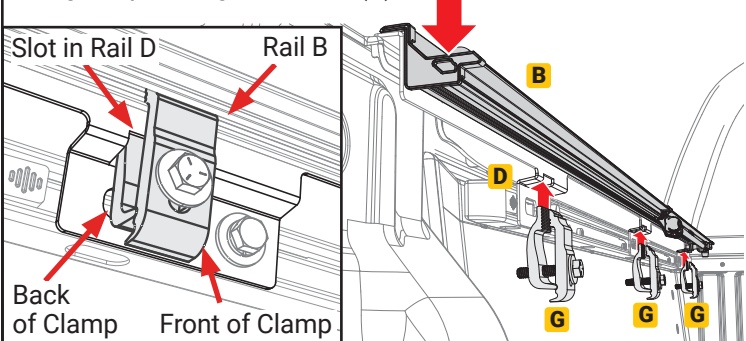
**3 Installing Adaptor Rail:** Install adaptor rail driver side (D) with the bolt, washer and lock washer that is attached to the T-nut kit (J) and push the rail all the way toward the cab and the bulkhead. Adjust the t-nuts so they are lined up with the holes in the adaptor rail. **Do not use the slotted holes.** Leave loose at this time. Repeat on passenger side.



**4** When you get the adaptor rail driver side (D) and the T-nut kits (J) lined up you can now tighten the bolts while you are applying downward pressure to the rail. A second set of hands may help. Repeat on the opposite side using the adaptor rail passenger side (E).

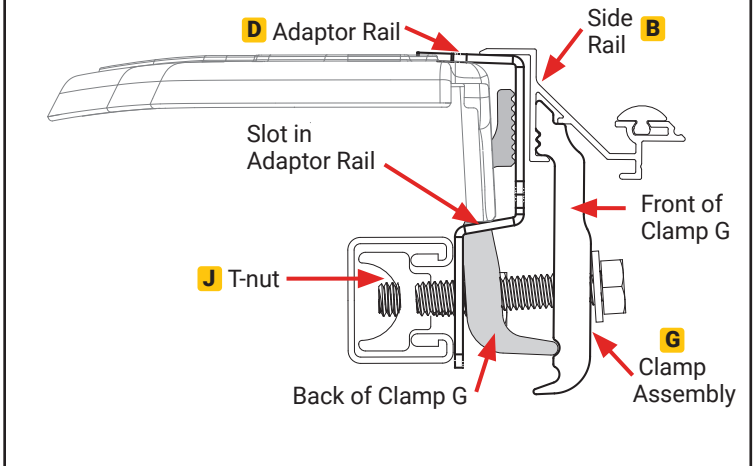


**5 Installing Side Rails:** Install the driver side rail (B) on top of the adaptor rail driver side (D) pushing the rail all the way toward the cab and the bulkhead. Insert back part of clamp (G) through the upper slot in the adaptor rail (D) and the front part of the clamp (G) on to the side rail (B) clamping on to the adaptor rail (D). When tightening each clamp kit (G), make sure the side rail sits flush and seals properly. A second set of hands may help. Repeat on the opposite side using the passenger side rail (C).

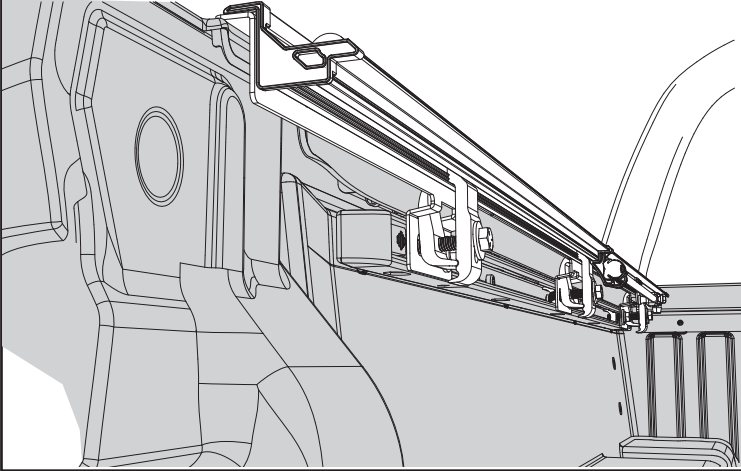


**NOTE:** If the rails are leaning down, have one person stand on the outside of the bed and slightly roll the rails upward while another person slowly snugs the clamps up. If the clamps are tightened too quickly or overtightened, it will cause the rails to lean down.

**6** For the best (A) fit, the side rails (B & C) should be level with the truck bed cap and not angled up or down. Insert the backside of the clamp as high as possible and tighten clamp. Depending on model the notch will vary. Tighten all clamps to 10 ft/lbs of torque with a 1/2" wrench or socket. **Caution: Do NOT overtighten!**



**7** Adaptor Rail and Side Rails Installed.



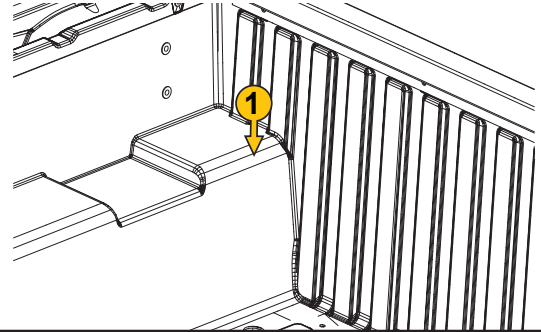
# CAUTION

**Before drilling for drain tubes, verify area is free and clear of obstructions below the truck bed.**

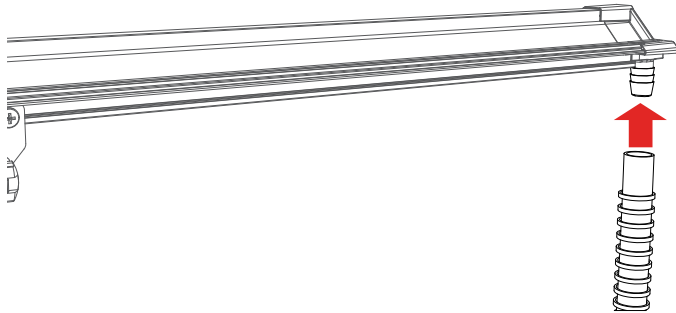


Inspect area below bed floor to insure proper clearance before drilling.

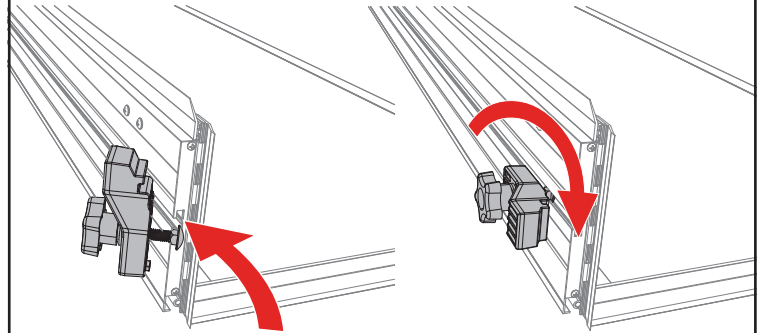
1. Corner of wheel well.



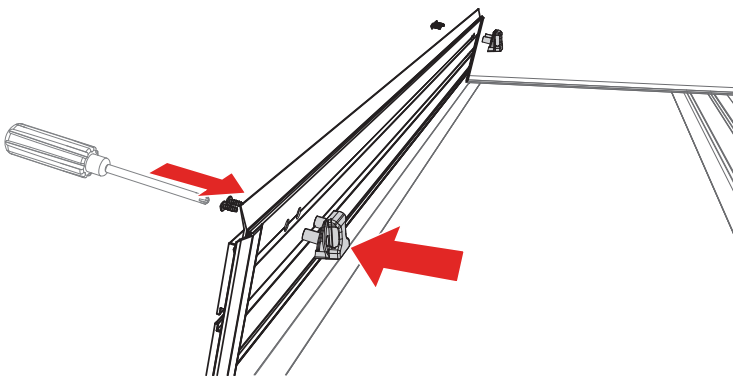
**8** Attach the drain tubes (J) to the front of the side rails (B & C) to allow water to be diverted out of the truck bed via the rail. Drill a 5/8" hole in the top corner of the wheel well as shown in the CAUTION Step (location 1), then run the opposite end of the drain tube through the 5/8" hole.



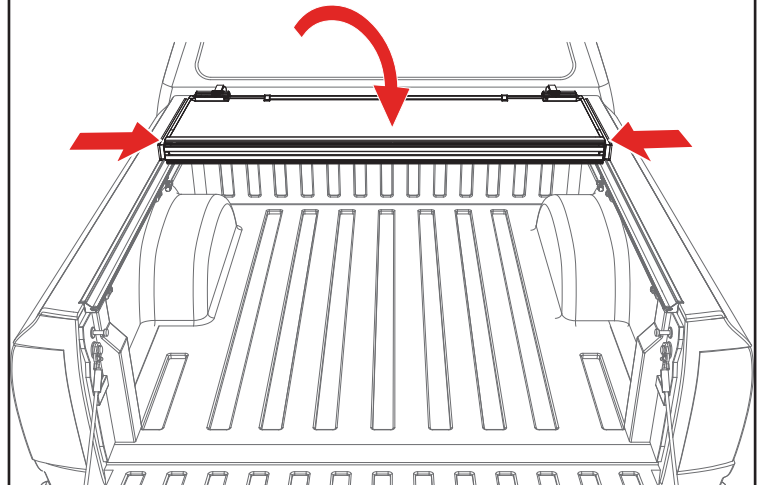
**9** Before placing the cover (A) onto the vehicle, slide two front cover retainer clamps (F) into the track on the underside of the cover (A) near the cab. Confirm the cover retainer clamps fit properly into the cover rail for optimum fit. Repeat on the opposite side of the cover.



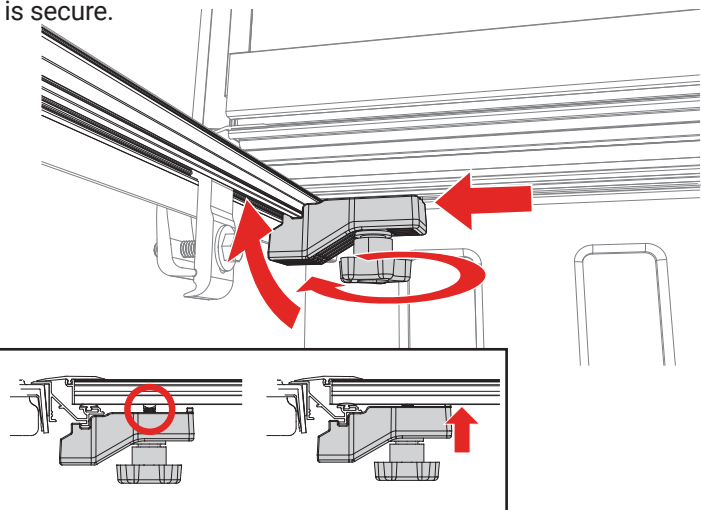
**10** Position the buckle ends (H) with the open side facing the bed cover panel. Use a screwdriver to install the two buckles into the pre-drilled holes on the front header panel with the provided screws (I). **DO NOT use a screw gun, securely tighten by hand only.**



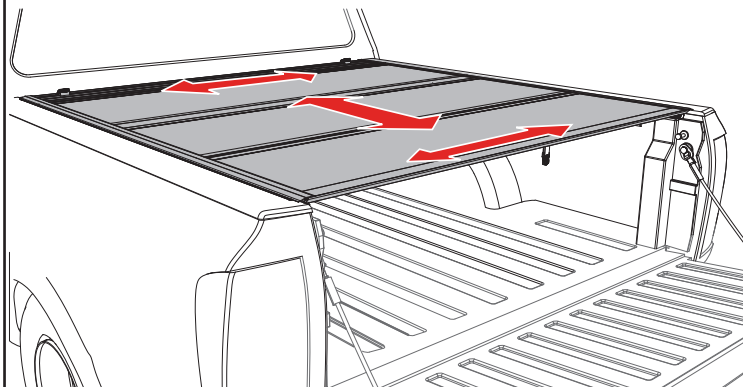
**11** Set the cover (A) in the folded position on the side rails (B & C) towards the cab of the truck. Confirm the cover is evenly spaced between the rails.



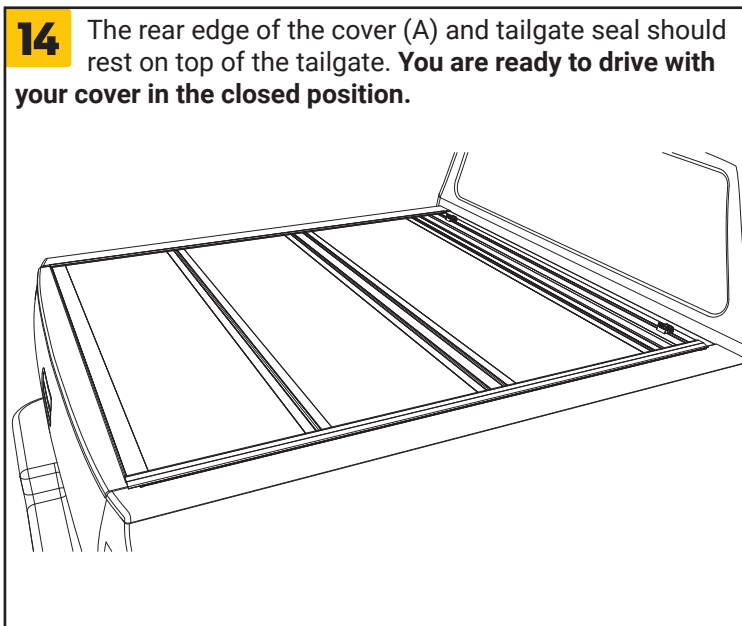
**12** Confirm the retainer clamps (F) are positioned around the side rails (B & C) correctly as shown below. Tighten the retainer clamps by turning them clockwise until the lock washer is secure.



**13** Unfold the cover (A) towards the tailgate. Then confirm each panel is centered side to side and front to back on the truck bed. If adjustments are needed, loosen the cover retainer clamps (F) and shift the cover (A) until positioned correctly. Retighten the cover retainer clamps once the desired fitment is reached. *If adjustments to the slam latch are needed, see the directions on the next page.*

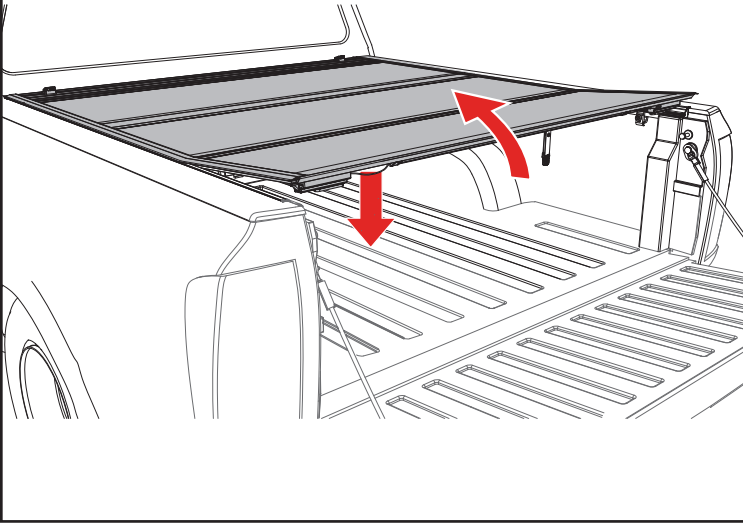


**14** The rear edge of the cover (A) and tailgate seal should rest on top of the tailgate. **You are ready to drive with your cover in the closed position.**

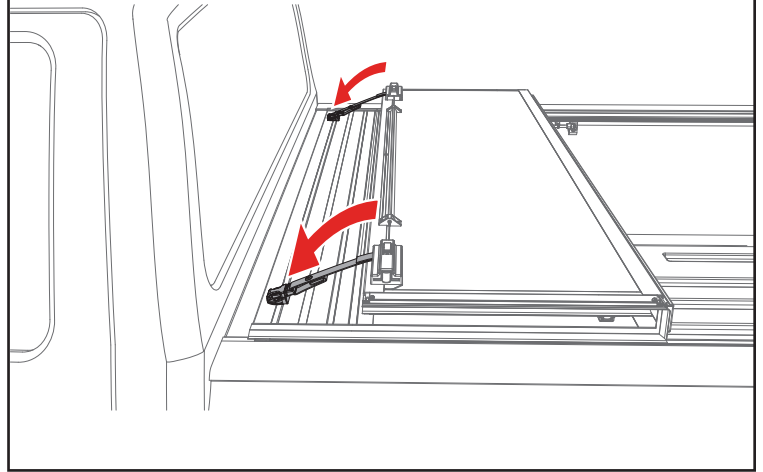




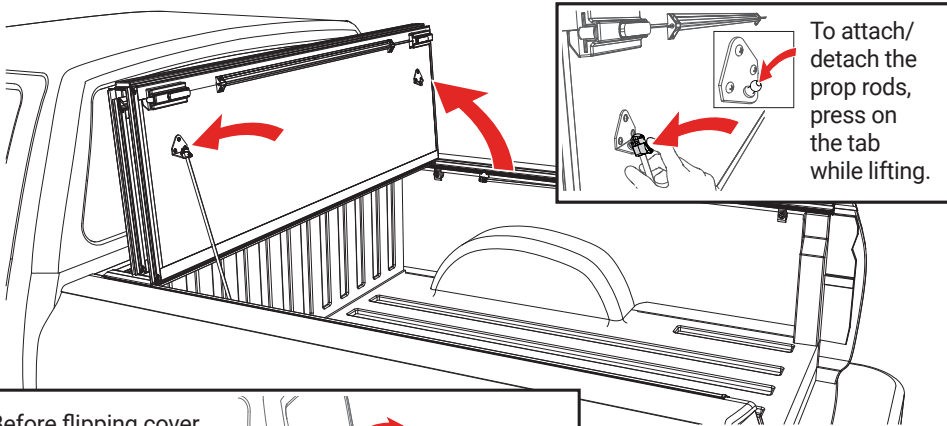
**OPENING COVER:** Lower the tailgate and pull the cable on either side. While pulling on the cable lift the panel up and towards the cab.



**FOLDED UP POSITION:** To drive with the cover (C) in the folded up position, use the straps and buckles provided with the cover. Attach the buckle at the bulkhead, then pull the strap to take up the slack and secure the cover.

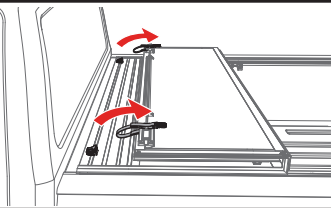


**FLIPPED UP POSITION:** Fold the cover (C) open and lift it until it's vertical towards your truck cab. Then release the prop rod that is attached to the side rail and clip it onto the ball stud on the underside of the cover.

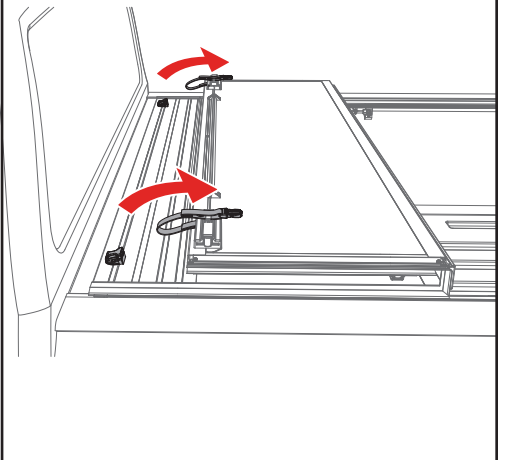


To attach/detach the prop rods, press on the tab while lifting.

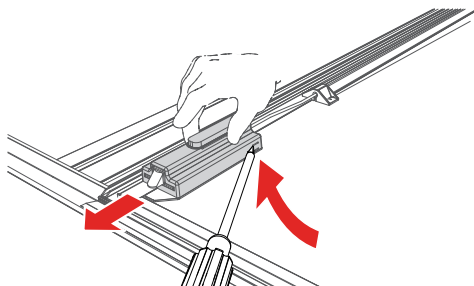
Before flipping cover (C) in the up position make sure to stow the straps using the clips on the underside of the folded cover.



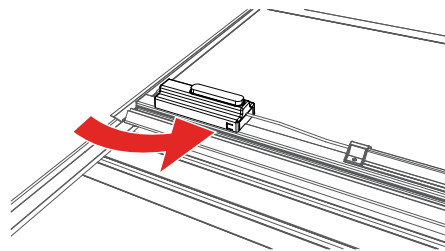
**CLOSING COVER:** To drive with the cover (C) closed, unhook the buckles and straps from the bulkhead. Stow the straps using the clips on the underside of the folded cover. Fold all panels towards the tailgate making sure that all latches are engaged.



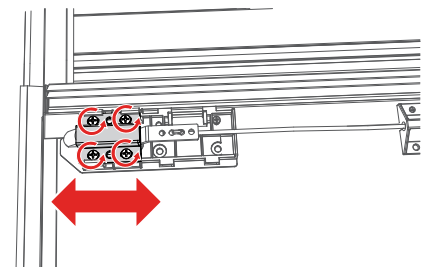
### ADJUSTING SLAM LATCH



Use a screwdriver to partially pry open the tab on the latch housing. At the same time slide the housing away from the latch assembly.



**Note:** that the tab is located on the opposite side of the housing on the passenger side of the cover.



With the latch cover removed, loosen the screws and move the latch bracket to adjust. Retighten the screws. Slide the latch housing back on.

# LIMITED WARRANTY

## WARRANTY COVERAGE

This truck bed cover is warranted against defects in materials or workmanship as follows. This warranty is void if the product has been damaged in an accident, or due to neglect, unforeseeable use, improper installation, improper servicing, or other cause not arising out of defects in material or workmanship.

**FLEX** - The truck bed cover carries a limited warranty for **three (3) years** from the original date of purchase, subject to the terms below.

**ULTRA FLEX** - The truck bed cover carries a limited warranty for **five (5) years** from the original date of purchase, subject to the terms below.

**ARMORFLEX** - The truck bed cover carries a limited warranty for **five (5) years** from the original date of purchase, subject to the terms below.

## WARRANTY IS NOT TRANSFERABLE

The warranty is to the initial owner purchasing the truck bed cover and it is not transferrable to a subsequent end user. Proof of purchase may be required to enforce these warranty rights.

## WARRANTY CONDITIONS

Failure to follow care and use instructions will void the warranty.

- Clean with mild automotive soap and water only.
- Cover must be secured at all points when vehicle is in motion.
- Check all clamps and retention mechanisms for tightness after a week of driving following installation (or re-installation) of the cover and periodically thereafter.
- Before opening, the cover must be free of all foreign materials including snow and ice.
- Do NOT tow your vehicle from the rear with the cover on your vehicle. If towing from the rear is required, the cover MUST be removed from the vehicle and properly stored.

## WARRANTY PERFORMANCE

If all warranty conditions are met, a defective truck bed cover or hardware component will either be repaired or replaced (at our option). We reserve the right, for any warranty, to substitute a newer model or bed cover having similar form and function, to offer a warranty discount on an entire replacement system, and/or provide remedies other than those mentioned in this document.

## WARRANTY RETURN

A Return Material Authorization number must be obtained from our Customer Service Department prior to returning any product. We may require the original item to be returned postage prepaid for final determination. Shipping charges will apply for any repair or replacement. Other than postage or shipping charges, no charge will be made for repair or replacement under this warranty.

This warranty gives you specific legal rights. As an owner, you may also have additional rights and remedies under the laws of your state.

## WARRANTY REGISTRATION

Warranty registration must be on file and/or proof of original purchase (detailed and dated receipt) required for warranty to be effective.

<https://realtruck.com/undercover-warranty>

**REGISTER  
YOUR  
WARRANTY  
ONLINE**



Serial Number \_\_\_\_\_

Date of Purchase \_\_\_\_\_

## CARE AND MAINTENANCE

The truck bed cover requires occasional cleaning with mild automotive soap and water only. Avoid using abrasive cleaners as they may dull the finish. Some chemicals and fluids such as insect repellents, oils, solvents, and lubricants could potentially damage the rubber hinges and seals and void the warranty.

### CAUTION

Always read the ingredients of any product you are using to clean your truck bed cover. Make sure that you use only products that are safe for use with rubber. Many cleaners contain chemicals that could permanently discolor or damage your hinges and seals.

Periodically check that your cover is securely attached to your truck bed and working as intended. Inspect all hardware such as clamps and front mounting bolts to ensure they are properly installed and working as intended. Covers that are used in high frequency or subject to rough roadways and/or heavy vibration conditions may cause the cover to require adjustment.

It is also recommended that you regularly inspect and service each panel latch. Clean away any excess dirt or grime. Ensure all latches move freely in and properly engage the side rail to provide optimal performance and security.

## SAFETY INSTRUCTIONS

- DO NOT place objects on or against cover or framework.
- DO NOT tie cargo to truck bed cover or framework.
- DO NOT operate vehicle with objects on top of the cover.
- Only operate vehicle with the cover in an approved riding position.
- NEVER allow children or pets to occupy the truck bed with the cover in the fully closed position.
- The cover is not airtight. Special care is required to keep cargo clean and dry.
- Truck bed covers will not prevent theft of contents inside the truck bed.

## TROUBLESHOOTING TIPS

**Leaning Rails:** If the rails are leaning down, have one person stand on the outside of the bed and slightly roll the rails upward while another person slowly snugs the clamps up. If the clamps are tightened too quickly or overtightened, it will cause the rails to lean down.

**Water Intrusion:** Make sure front retaining clamps are tight and properly engaged to the side rails. Check that the Bulkhead Filler seal is in place and the cover is resting on it. Make sure that all latches are engaged to the side rails and adjust if needed. Check that the side rails are installed flush with the top of the bed rail.

**Sticking Latch:** The cable could be pinched in or under the cable guide extrusion. Loosen the three screws on the center cable guide located in the middle of the panel. Slightly lift up on the cable guide extrusion. Pull on both side of the cable.

**Wavy Side Seal:** Seal may be wavy when removed from box. Allow ample sunlight for seal to lay flat and relax.