

# INSTALLATION INSTRUCTIONS

## **CUSTOMER SERVICE**

Phone: 866-900-8800 • 8:30 am - 5:00 pm Mon - Fri CST

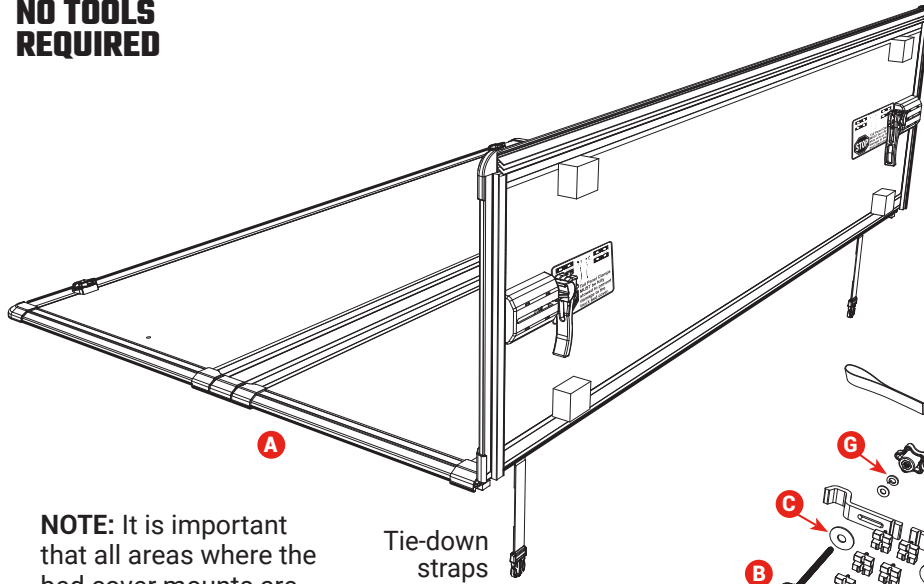
Email: [info@undercoverinfo.com](mailto:info@undercoverinfo.com)

**Any damaged or missing parts?**

Parts will be shipped to you directly.

Call 866-900-8800 Mon - Fri 8:00 am - 5:00 pm CST  
or email [info@undercoverinfo.com](mailto:info@undercoverinfo.com)

## NO TOOLS REQUIRED

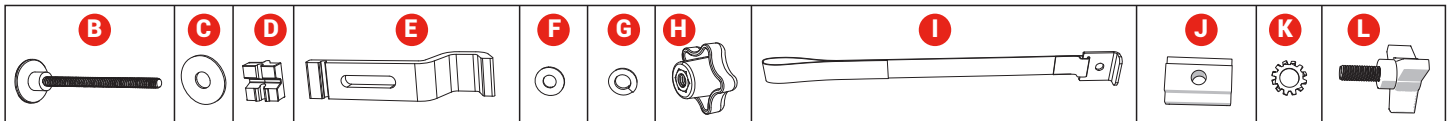


**NOTE:** It is important that all areas where the bed cover mounts are clean and free of debris prior to installing.

Tie-down straps

## PARTS INCLUDED IN YOUR KIT

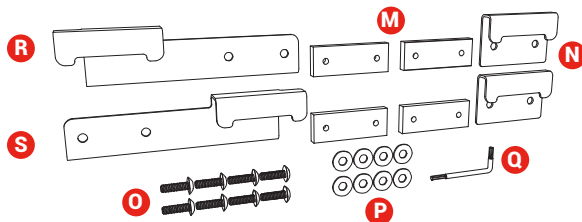
- A** Hard fold cover
- B** 2x Bolts
- C** 2x Rubber washers
- D** 6x Risers
- E** 2x Cab clamps
- F** 2x Steel washers
- G** 2x Split washers
- H** 2x Lock knobs
- I** 2x Tethers
- J** 2x Slide block
- K** 2x Lock washers
- L** 2x Tether knobs



**NOTE:** Below is a supplemental installation kit needed for this specific vehicle application. Please follow the appropriate steps of this install sheet for your vehicle.

### TOYOTA TACOMA BRACKET KIT

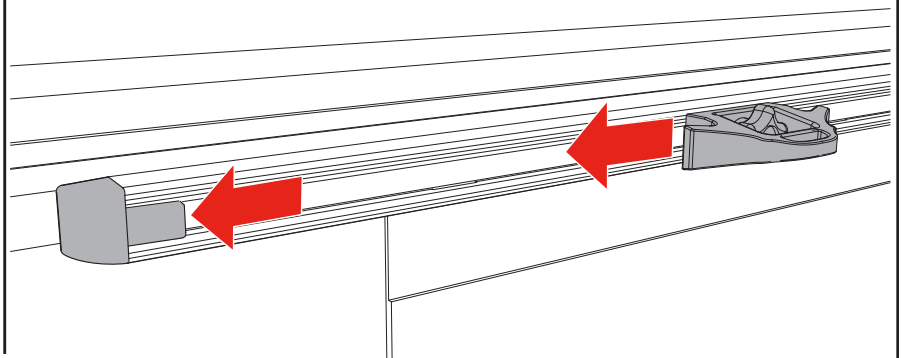
• 2016-2022 Tacoma

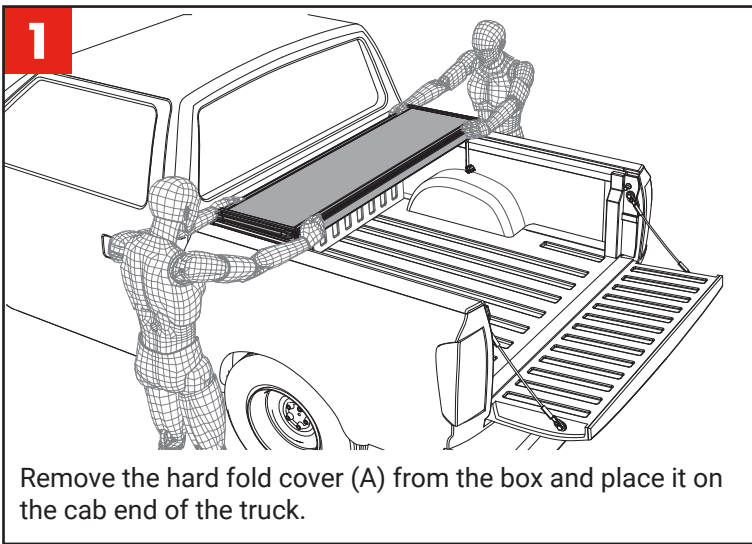


### PARTS INCLUDED IN YOUR HARDWARE KIT

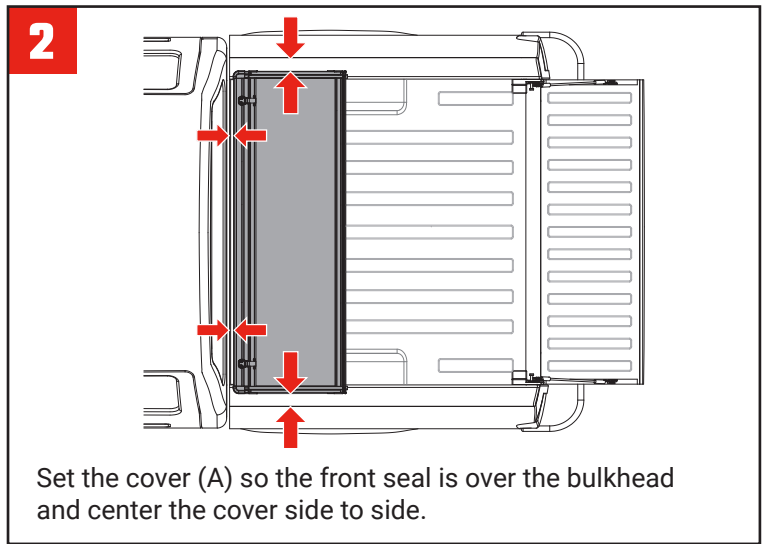
- M** 4x Slide nuts
- N** 2x Clamp brackets
- O** 8x Screws
- P** 8x Flat washers
- Q** 1x T27 Torx Key
- R** 1x Rear clamp bracket - driver side
- S** 1x Rear clamp bracket - passenger side

Before installing the cargo rail brackets, the factory rail end cap and any tie-down cleats need to be removed.

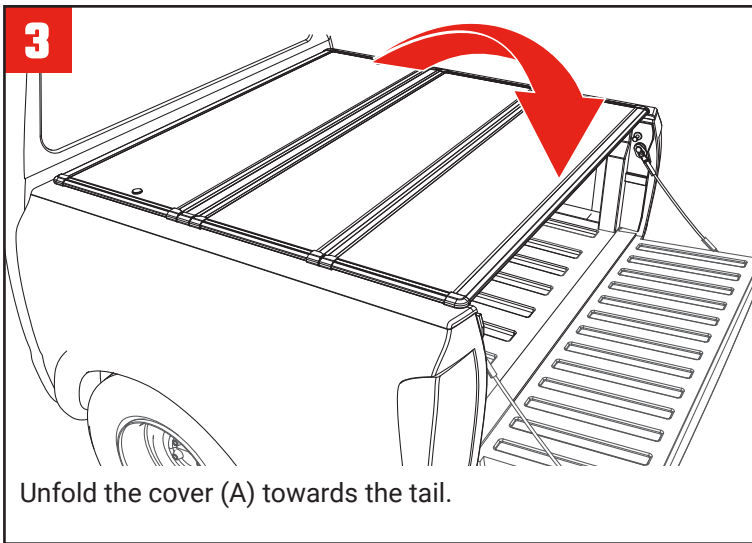




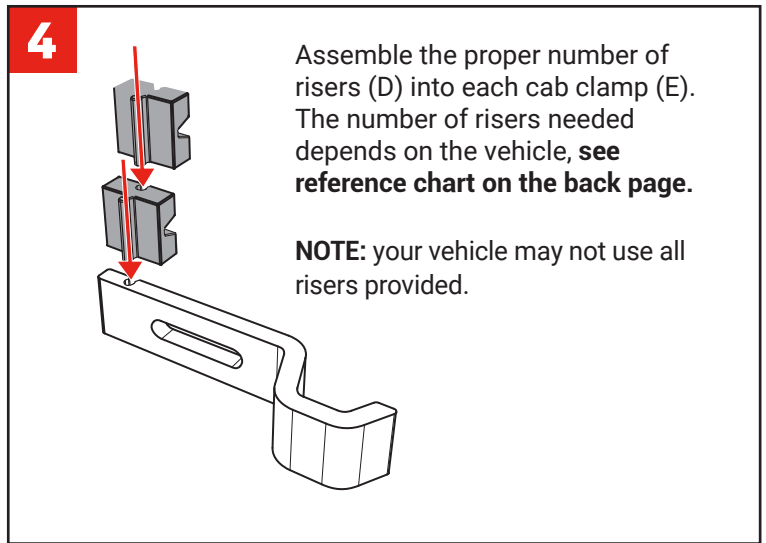
1 Remove the hard fold cover (A) from the box and place it on the cab end of the truck.



2 Set the cover (A) so the front seal is over the bulkhead and center the cover side to side.

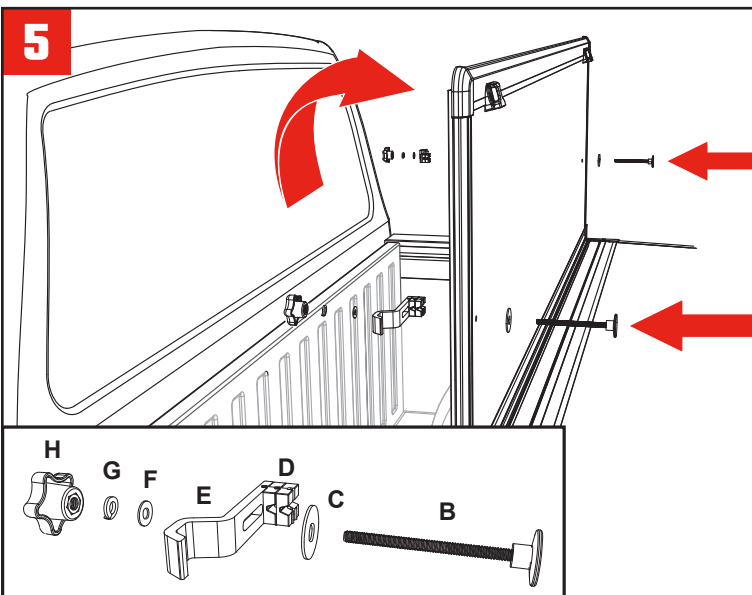


3 Unfold the cover (A) towards the tail.

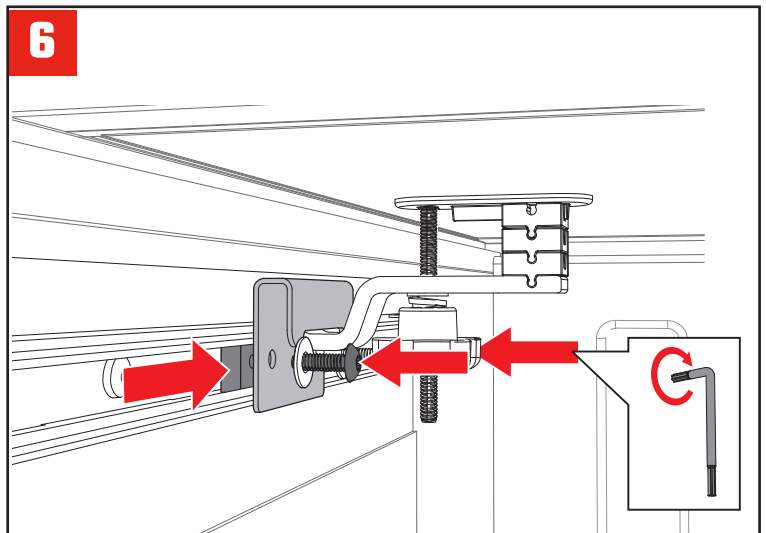


4 Assemble the proper number of risers (D) into each cab clamp (E). The number of risers needed depends on the vehicle, see reference chart on the back page.

NOTE: your vehicle may not use all risers provided.

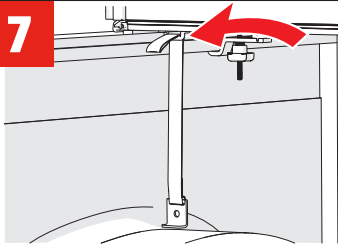


5 Fold back the cab panel and assemble the cab clamp (E) through the lifted panel. Start with the bolt (B) and rubber washer (C) through the top side of the panel. Followed by the cab clamp (E) with risers, then the steel washer (F), split washer (G), and finally the lock knob (H) through the underside. Repeat on the opposite side of the truck bed.

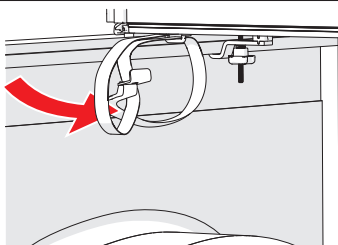


6 Fold the cover open to access the cab clamps (E). Insert the slide block (J) into the end of the factory cargo rail, slide it to the front. Attach the front clamp bracket (N) to the slide block (J) using the screws (O) and washers (P). Align the clamp bracket (N) with the cab clamp (E) and tighten the screws (O) with the T27 Torx wrench (Q). Tighten the lock knob (H). Repeat the steps on both sides of the bed. **Snug firmly but do NOT overtighten.** Reinsert any tie-down cleats in desired positions.

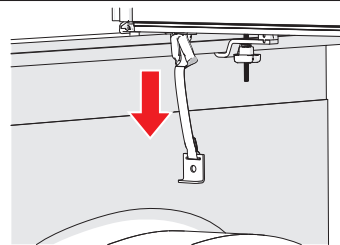
7



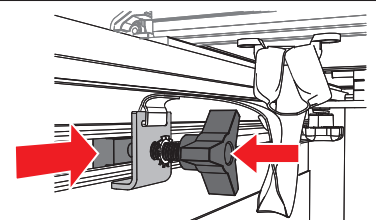
Attach the tether (I) by threading the loop end of the tether through the cleat under the cab panel.



Then thread the clamp end of the tether through the loop end of the tether.

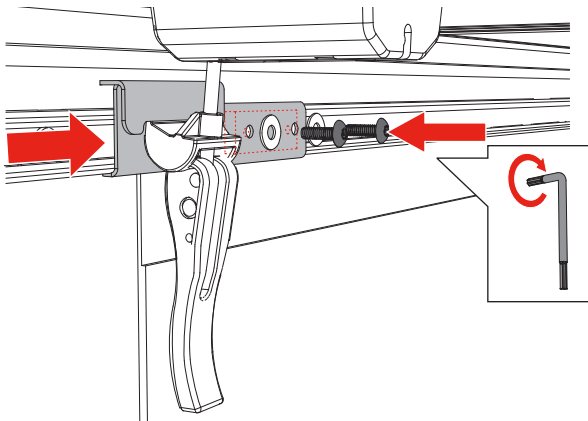


Pull the clamp down to tighten the knot. Make sure that the tether strap is tight around the cleat.



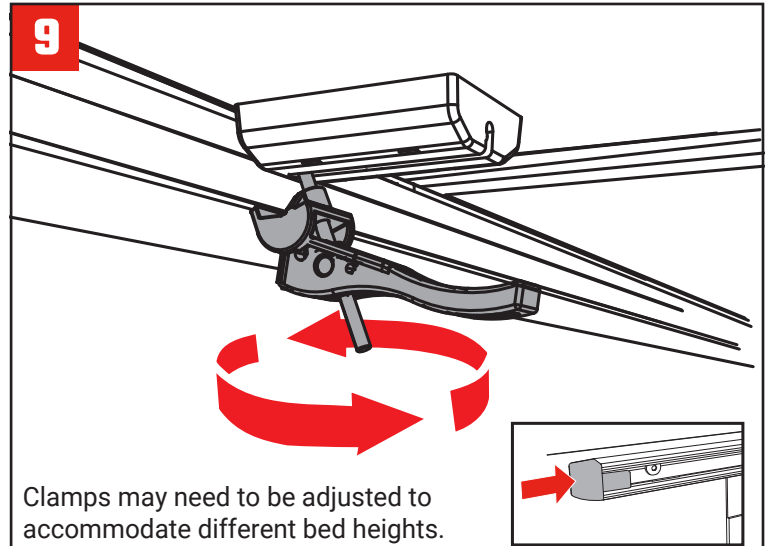
Slide the slide block (J) into the end of the factory cargo rail, slide it to the front. Attach the bracket on the end of the tether strap (I) to the slide nut (M) with a lock washer (K) and the knob (L). Tighten the knob. Repeat these steps on both sides of the bed.

8

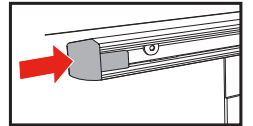


Fully close the cover. Slide the slide block (J) into the end of the factory cargo rail, align the clamp bracket (N) with the tail clamp. Attach the rear clamp brackets (R & S) to the slide block (J) using the screws (O) and washers (P), tighten the screws (O) with the T27 Torx wrench (Q). Swing the tail clamp down to lock it to the clamp bracket (N). Repeat the steps on both sides of the bed.

9

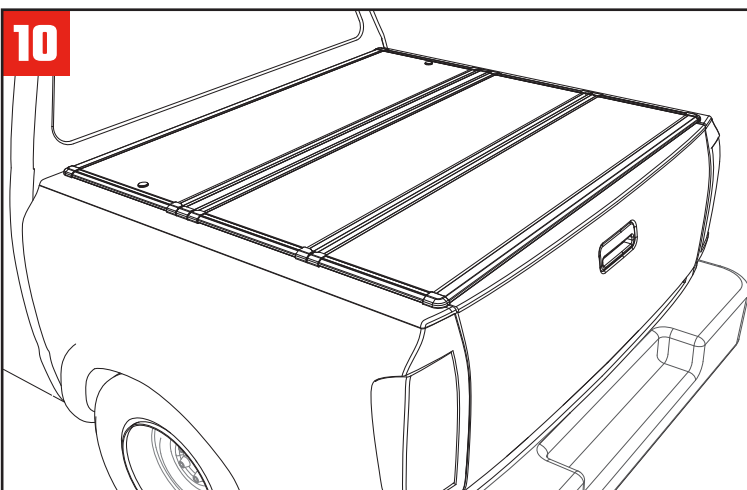


Clamps may need to be adjusted to accommodate different bed heights. Clamp height can be adjusted by turning the clamps clockwise or counter-clockwise to move the clamp higher or lower as needed.



**NOTE:** Reinstall any factory rail end caps that were removed.

10



Close tailgate to check how cover fits and adjust as needed. To make changes, loosen the cab clamps (E) and shift the cover into the appropriate spot, then retighten the cab clamps.

**Snug firmly but do NOT overtighten.**

## WARRANTY

The truck bed cover carries a limited warranty for three (3) years from the original date of purchase, subject to the terms below.

### WARRANTY COVERAGE

This truck bed cover is warranted against defects in materials or workmanship as follows. This warranty is void if the product has been damaged in an accident, or due to neglect, unforeseeable use, improper installation, improper servicing, or other cause not arising out of defects in material or workmanship.

### WARRANTY IS NOT TRANSFERABLE

The warranty is to the initial consumer purchasing the truck bed cover and it is not transferrable to a subsequent end user. Proof of purchase may be required to enforce these warranty rights.

### WARRANTY CONDITIONS

Failure to follow these care and use instructions will void the warranty

- Clean with mild automotive soap and water only.
- Cover must be secured at all points when vehicle is in motion. When not fully extended, cover must be completely folded up and secured at the cab with the provided tie-down straps and tethers attached. Do NOT drive with the bed cover in a partially open position.
- Check all clamps and retention mechanisms for tightness after a week of driving following installation (or re-installation) of the cover and periodically thereafter.
- Before opening, the cover must be free of all foreign materials including snow and ice.
- Do NOT tow your vehicle from the rear with the cover on your vehicle. If towing from the rear is required, the cover MUST be removed from the vehicle and properly stored.

### WARRANTY PERFORMANCE

If all warranty conditions are met, a defective truck bed cover or hardware component will either be repaired or replaced (at our option). We reserve the right, for any warranty, to substitute a newer model or bed cover having similar form and function, to offer a warranty discount on an entire replacement system, and/or provide remedies other than those mentioned in this document.

### WARRANTY RETURN

A Return Material Authorization number must be obtained from our Customer Service Department prior to returning any product. We may require the original item to be returned postage prepaid for final determination. Shipping charges will apply for any repair or replacement. Other than postage or shipping charges, no charge will be made for repair or replacement under this warranty.

This warranty gives you specific legal rights. As a consumer, you may also have additional rights and remedies under the laws of your state.



Remove any snow or foreign matter before folding the bed cover.



Do NOT allow the vehicle to be towed backwards without first removing the cover from the vehicle.

## CARE AND MAINTENANCE

This tonneau is made from durable materials and requires simple care to ensure a long life of performing well and looking great.

### CLEANING THE TOP (WASHING)

Standard automotive soap and water with a soft sponge or cloth is recommended for cleaning. Shabby dry to keep the finish polished and brilliant. Wax is NOT recommended as it tends to fill in cracks and crevices, which may affect the panel finish. Do NOT use any harsh cleaners or abrasives.

### MAINTENANCE

It is recommended that you periodically check your cover is securely attached to your truck bed. Inspect the clamps and tethers to ensure they were properly installed and have not come loose or knocked out of adjustment during operation. Covers that are used with high frequency or that are subject to the vibrations and impact from rough roadways can cause the cover to require adjustment.

## RISER CHART - FROM STEP 4

The number of risers needed depends on the vehicle, see the chart below for reference. *Please note your vehicle may not use all the risers provided.*

MAKE/MODEL	YEAR	QUANTITY OF RISERS PER SIDE
<b>CHEVY</b>		
Silverado/ Sierra 5.8' Bed	99-13	2
Silverado/ Sierra 6.5' Bed	99-13	2
Silverado / Sierra 5.8 Bed	14-19	3
Silverado / Sierra 6.5 Bed	14-19	3
Silverado / Sierra 5.8 Bed	19-23	3
Silverado / Sierra 6.5 Bed	19-23	3
Silverado / Sierra HD 6.9 Bed	20-23	3
Colorado/ Canyon 5' & 6' Bed	15-23	3
<b>FORD</b>		
F-150 5.5 Bed	04-14	3
F-150 6.5 Bed	04-14	3
F-150 5.5 Bed	15-20	2
F-150 6.5 Bed	15-20	2
F-150 5.5 Bed	21-23	2
F-150 6.5 Bed	21-23	2
Super Duty 6.9 Bed	08-16	3
Super Duty 6.9 Bed	17-23	2
Maverick	22-23	3
Ranger 5' Bed	19-23	1
<b>JEEP</b>		
Gladiator	20-23	1
<b>NISSAN</b>		
Frontier 5 ft Bed W/ Factory Cargo Management System	05-23	3
Frontier 6 ft Bed W/ Factory Cargo Management System	05-23	3

MAKE/MODEL	YEAR	QUANTITY OF RISERS PER SIDE
<b>RAM</b>		
Ram 5.7 Bed (Classic for 19-21 only. Does not fit RamBox)	09-23	1
Ram 6.4 Bed (Classic for 19-21 only. Does not fit RamBox)	02-23	2
Ram New Body 1500 Crew Cab 5.7 ft Bed (Does not fit RamBox) Fits W/ Multifunction Tailgate	19-23	2
Ram New Body Quad/Mega Cab 6.4 ft Bed (Does not fit RamBox)	19-23	2
<b>TOYOTA</b>		
Tundra 5.5 Bed W/O Factory Toyota Cargo Mgmt System	07-23	1
Tundra 5.5 Bed W/ Factory Toyota Cargo Mgmt System	07-23	3
Tundra 6.5 Bed W/O Factory Toyota Cargo Mgmt System	07-23	1
Tundra 6.5 Bed W/ Factory Toyota Cargo Mgmt System	07-23	3
Tacoma Double Cab 5 ft Bed	16-22	3
Tacoma Reg/ Ext Cab 6 ft Bed	16-22	3