

# INSTALLATION INSTRUCTIONS

## **CUSTOMER SERVICE**

Phone: 866-900-8800 • 8:30 am - 5:00 pm Mon - Fri CST

Email: [info@undercoverinfo.com](mailto:info@undercoverinfo.com)



# MODEL SPECIFIC GUIDE

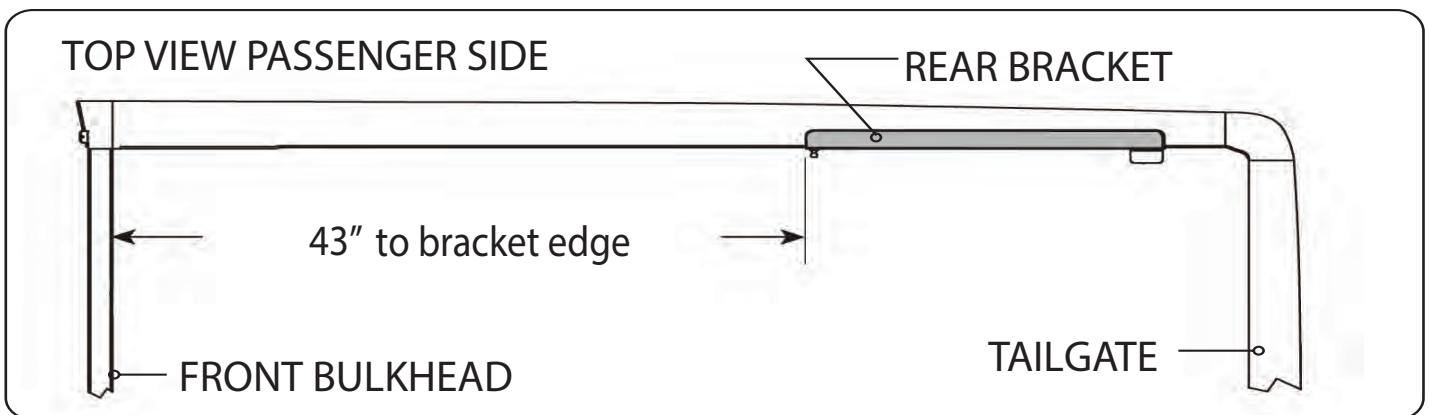
HIDDEN HINGE VERSION

1116

## Model 1116 Chevy Silverado Crew Cab 5.8' Short Bed 2014-2018 & 2019 Legacy Silverado

### RE: Step 2 on the Quick Start Guide.

Measurement for the rear mounting bracket is 43" from the back side of the bulkhead to the front edge of the bracket.



### RE: Step 3 on the Quick Start Guide

Measurement for the front mounting bracket is 16" from the back side of the bulkhead to the end of the bracket.

The fit of the cover to the truck bed is determined by the front mounting brackets. This measurement is a good starting point. Unfortunately not all truck beds are assembled 100% square, so some adjustments may be necessary after the cover is set on the truck.

