

INSTALLATION INSTRUCTIONS

CUSTOMER SERVICE

Phone: 866-900-8800 • 8:30 am - 5:00 pm Mon - Fri CST

Email: info@undercoverinfo.com



MODEL SPECIFIC GUIDE

HIDDEN HINGE VERSION

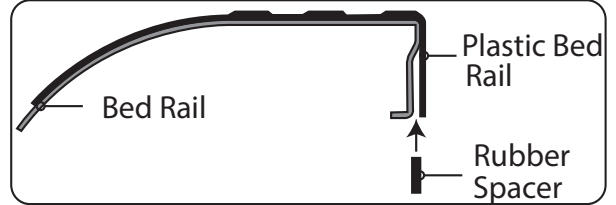
1218

Model 1218 GMC Sierra

2019-Current Std/Ext/Crew Cab 6.5' Bed

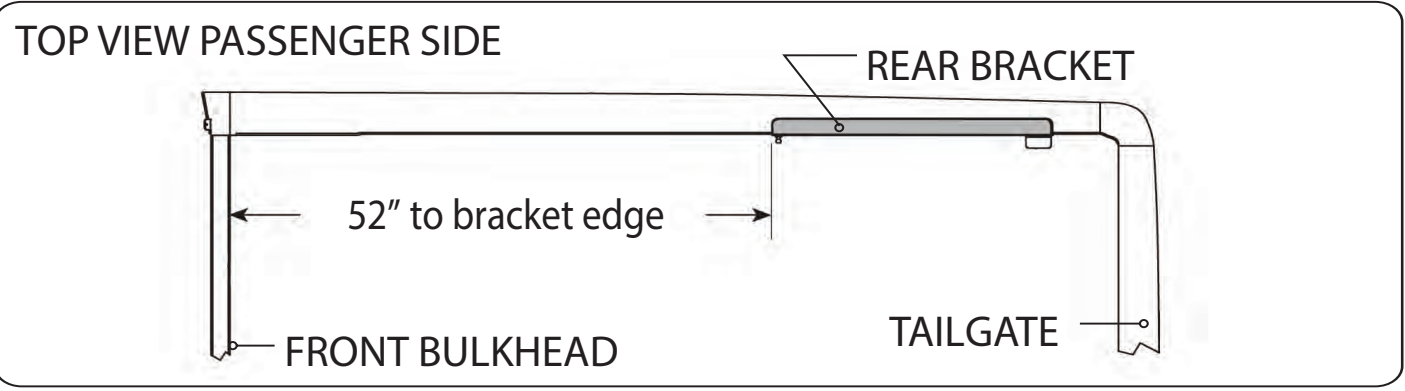
(With Multipro Tailgate) (Will Not Work With Factory Bed Boxes)

****Note:** The hardware kit for this truck includes 8 rubber spacers. These rubber spacers are to be placed between the plastic bed rail cap and the bed rail prior to installing the front brackets. Attach according to the diagram. Spacers should go on either side of the boss (raised section of the inside bed rail lip) for the front brackets and at the clamp locations at the rear brackets, do not place over the top of the boss.



RE: Step 2 on the Quick Start Guide

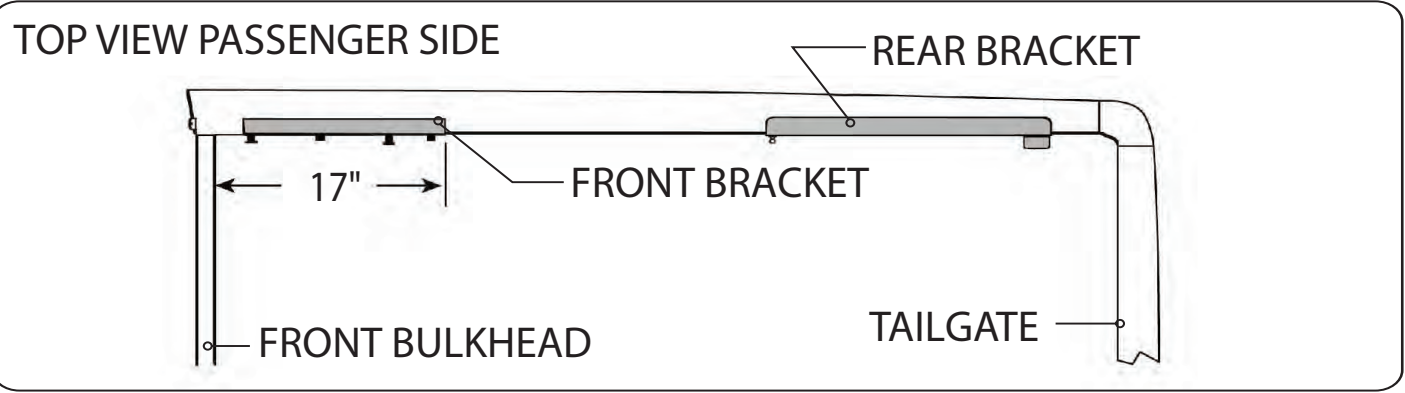
Measurement for the rear mounting bracket is 52" from the back side of the bulkhead to the front edge of the bracket.



RE: Step 3 on the Quick Start Guide

Measurement for the front mounting bracket is 17" from the back side of the bulkhead to the end of the bracket.

The fit of the cover to the truck bed is determined by the front mounting brackets. This measurement is a good starting point. Unfortunately not all truck beds are assembled 100% square, so some adjustments may be necessary after the cover is set on the truck.





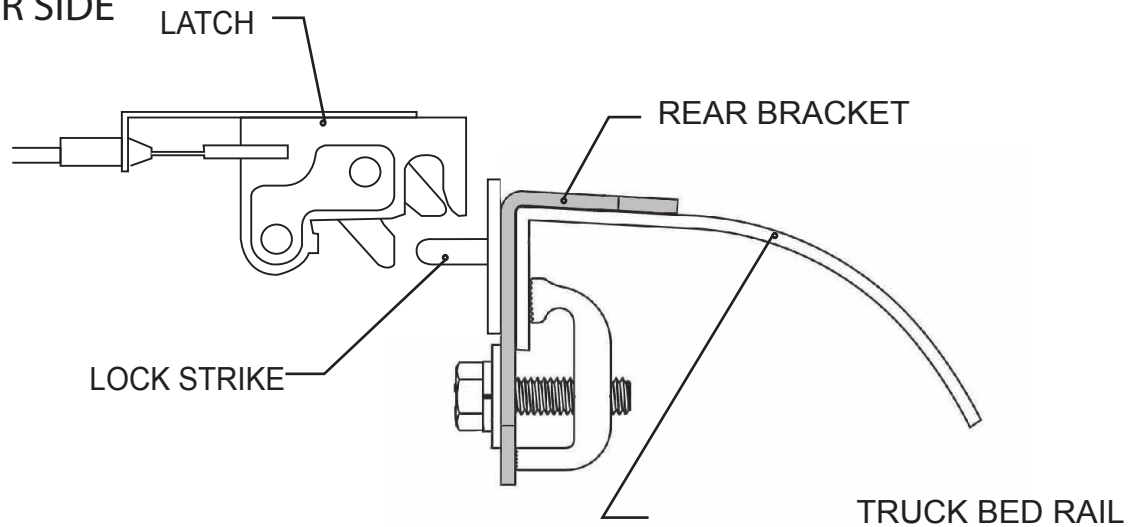
MODEL SPECIFIC GUIDE HIDDEN HINGE VERSION

Model 1218 GMC Sierra 2019-Current Std/Ext/Crew Cab 6.5' Bed

Adjust the lock strikes up or down accordingly. With the tailgate down adjust the lock strike to allow approximately 1/8" (3mm) play in the cover up and down.

Torque to 8.5ft lbs or 100in lbs.

PASSENGER SIDE



It may be necessary to adjust the latch side to side, to do so loosen the two latch mounting bolts, adjust latch and tighten.

Torque to 8.5ft lbs or 100in lbs.

PASSENGER SIDE

