

# INSTALLATION INSTRUCTIONS

## **CUSTOMER SERVICE**

Phone: 866-900-8800 • 8:30 am - 5:00 pm Mon - Fri CST

Email: [info@undercoverinfo.com](mailto:info@undercoverinfo.com)



# MODEL SPECIFIC GUIDE

HIDDEN HINGE VERSION

2176

## Model 2176 Ford Super Duty Ext/Crew Cab 6.8' Short Bed 2017-2022 (Will Fit W OR W/O Tailgate Step)



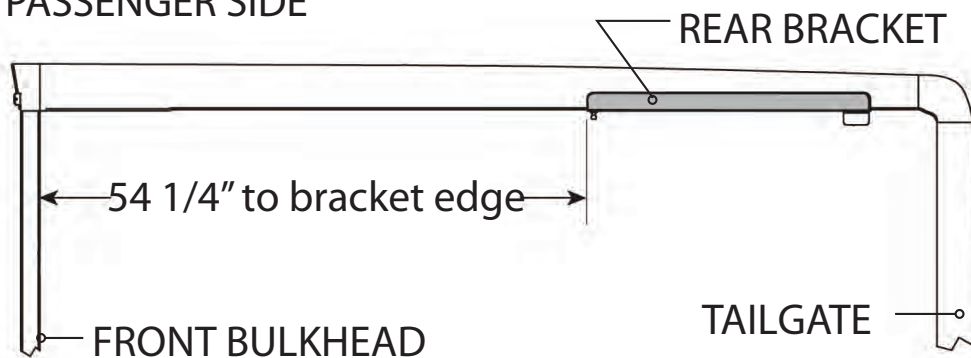
**Note:** This Cover will work with or without a tailgate step.



### RE: Step 2 on the Quick Start Guide

Measurement for the rear mounting bracket is 54 1/4" from the back side of the bulkhead to the front edge of the bracket.

### TOP VIEW PASSENGER SIDE



### RE: Step 3 on the Quick Start Guide

Measurement for the front mounting is 16 1/4" from the back side of the bulkhead to the end of the bracket. The fit of the cover to the truck bed is determined by the front mounting brackets. This measurement is a good starting point. Unfortunately not all truck beds are assembled 100% square, so some adjustments may be necessary after the cover is set on the truck.



**Warning!** Use only the rear two holes for clamps on the front bracket.

### TOP VIEW PASSENGER SIDE

