

INSTALLATION INSTRUCTIONS

CUSTOMER SERVICE

Phone: 866-900-8800 • 8:30 am - 5:00 pm Mon - Fri CST

Email: info@undercoverinfo.com



MODEL SPECIFIC GUIDE

HIDDEN HINGE VERSION

2206

Model 2206 Ford F150 Crew Cab 5.5' Short Bed 2021-Current

(Will Fit W OR W/O Tailgate Step)



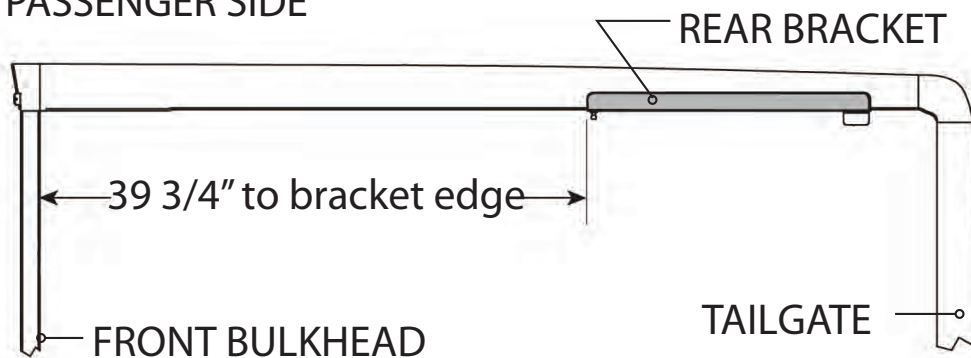
Note: This Cover will work with or without a tailgate step.



RE: Step 2 on the Quick Start Guide

Measurement for the rear mounting bracket is 39 3/4" from the back side of the bulkhead to the front edge of the bracket.

TOP VIEW PASSENGER SIDE



RE: Step 3 on the Quick Start Guide

Measurement for the front mounting is 17 1/4" from the back side of the bulkhead to the end of the bracket. The fit of the cover to the truck bed is determined by the front mounting brackets. This measurement is a good starting point. Unfortunately not all truck beds are assembled 100% square, so some adjustments may be necessary after the cover is set on the truck.



Warning! Use only the rear two holes for clamps on the front bracket.

TOP VIEW PASSENGER SIDE

