

# INSTALLATION INSTRUCTIONS

## **CUSTOMER SERVICE**

Phone: 866-900-8800 • 8:30 am - 5:00 pm Mon - Fri CST

Email: [info@undercoverinfo.com](mailto:info@undercoverinfo.com)



# MODEL SPECIFIC GUIDE

HIDDEN HINGE VERSION

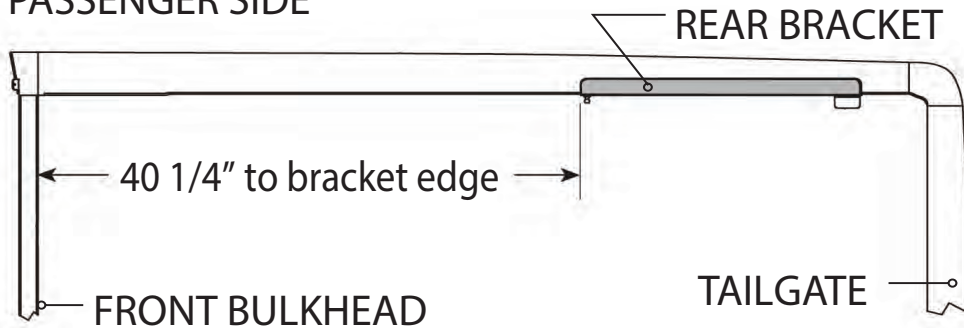
2208

## Model 2208 Ford F150 Crew Cab 5.5' Short Bed 2021-Current (Will Work W OR W/O Tailgate Step)

### RE: Step 2 on the Quick Start Guide

Measurement for the rear mounting bracket is 40 1/4" from the back side of the bulkhead to the front edge of the bracket.

#### TOP VIEW PASSENGER SIDE

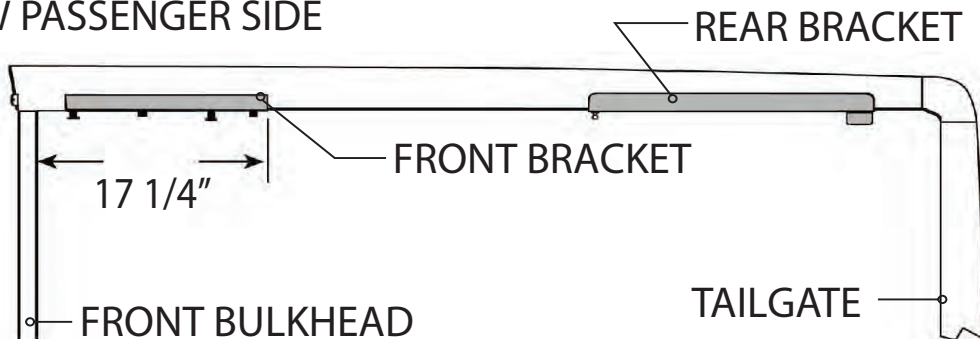


### RE: Step 3 on the Quick Start Guide

Measurement for the front mounting bracket is 17 1/4" from the back side of the bulkhead to the end of the bracket.

The fit of the cover to the truck bed is determined by the front mounting brackets. This measurement is a good starting point. Unfortunately not all truck beds are assembled 100% square, so some adjustments may be necessary after the cover is set on the truck.

#### TOP VIEW PASSENGER SIDE





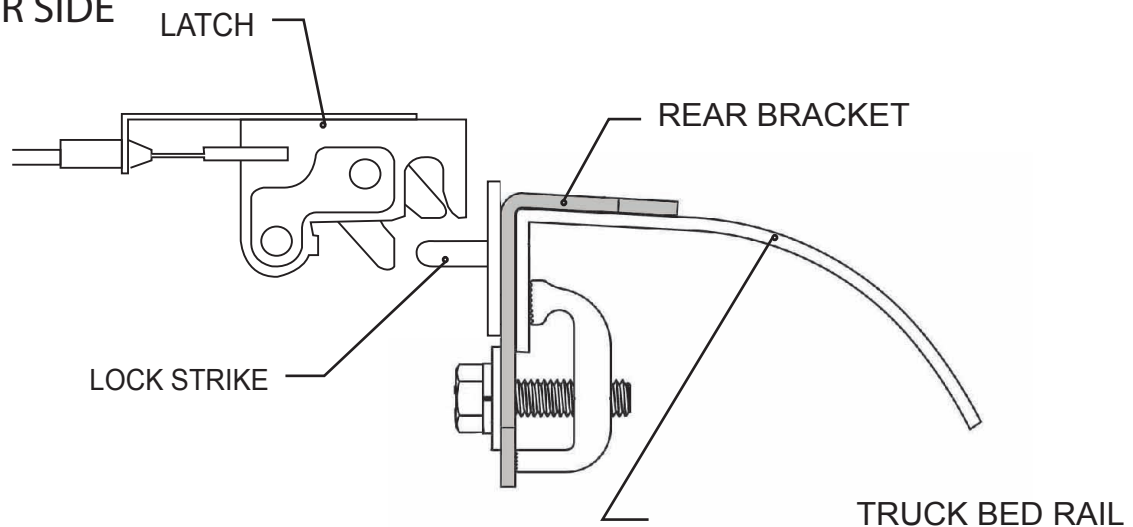
# MODEL SPECIFIC GUIDE HIDDEN HINGE VERSION

## MODEL 2208 Ford F150 Crew Cab 5.5' Short Bed 2021-Current

Adjust the lock strikes up or down accordingly. With the tailgate down adjust the lock strike to allow approximately 1/8" (3mm) play in the cover up and down.

Torque to 8.5ft lbs or 100in lbs.

### PASSENGER SIDE



It may be necessary to adjust the latch side to side, to do so loosen the two latch mounting bolts, adjust latch and tighten.

Torque to 8.5ft lbs or 100in lbs.

### PASSENGER SIDE

