

# INSTALLATION INSTRUCTIONS

## **CUSTOMER SERVICE**

Phone: 866-900-8800 • 8:30 am - 5:00 pm Mon - Fri CST

Email: [info@undercoverinfo.com](mailto:info@undercoverinfo.com)



# MODEL SPECIFIC GUIDE

## HIDDEN HINGE VERSION

# 2216

### Model 2216 Ford F150 Std/Ext/Crew Cab 6.5' Short Bed 2021-Current (Will Fit W OR W/O Tailgate Step)



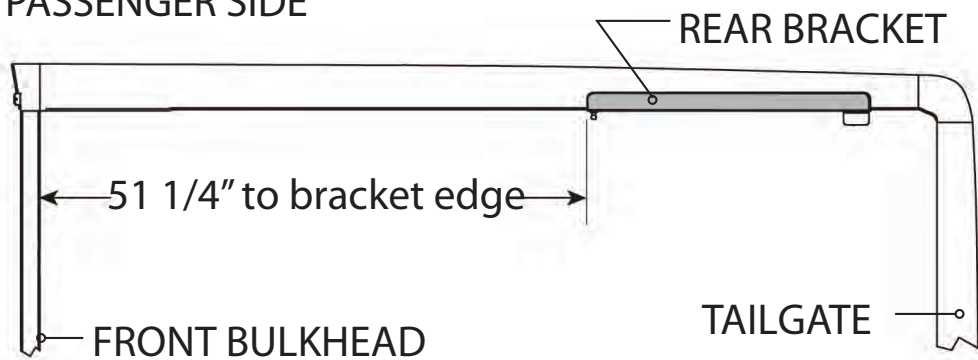
**Note:** This Cover will work with or without a tailgate step.



#### RE: Step 2 on the Quick Start Guide

Measurement for the rear mounting bracket is 51 1/4" from the back side of the bulkhead to the front edge of the bracket.

#### TOP VIEW PASSENGER SIDE



#### RE: Step 3 on the Quick Start Guide

Measurement for the front mounting is 17 1/4" from the back side of the bulkhead to the end of the bracket. The fit of the cover to the truck bed is determined by the front mounting brackets. This measurement is a good starting point. Unfortunately not all truck beds are assembled 100% square, so some adjustments may be necessary after the cover is set on the truck.



**Warning!** Use only the rear two holes for clamps on the front bracket.

#### TOP VIEW PASSENGER SIDE

