

INSTALLATION INSTRUCTIONS

CUSTOMER SERVICE

Phone: 866-900-8800 • 8:30 am - 5:00 pm Mon - Fri CST

Email: info@undercoverinfo.com



MODEL SPECIFIC GUIDE

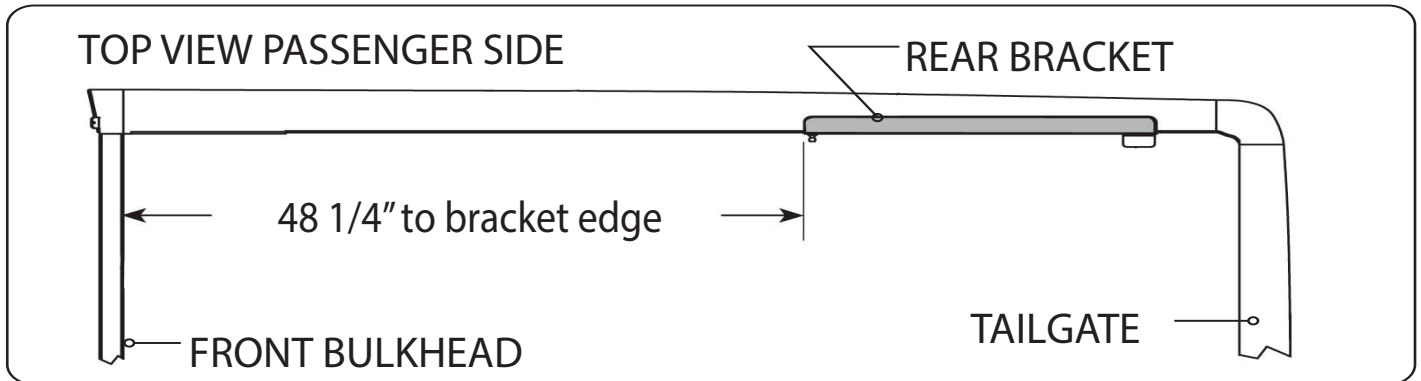
HIDDEN HINGE VERSION

Model 3116 Dodge Ram Std/Ext/Crew Cab 6.4' Short Bed 2019-Current

(Will Not Fit Dually/Will Not Fit Ram Box/ Will Not Fit Multifunction Tailgate)

RE: Step 2 on the Quick Start Guide

Measurement for the rear mounting bracket is 48 1/4" from the back side of the bulkhead to the front edge of the bracket.



RE: Step 3 on the Quick Start Guide

Measurement for the front mounting bracket is 16 1/4" from the back side of the bulkhead to the end of the bracket.

The fit of the cover to the truck bed is determined by the front mounting brackets. This measurement is a good starting point. Unfortunately not all truck beds are assembled 100% square, so some adjustments may be necessary after the cover is set on the truck.

