

# INSTALLATION INSTRUCTIONS

## **CUSTOMER SERVICE**

Phone: 866-900-8800 • 8:30 am - 5:00 pm Mon - Fri CST

Email: [info@undercoverinfo.com](mailto:info@undercoverinfo.com)



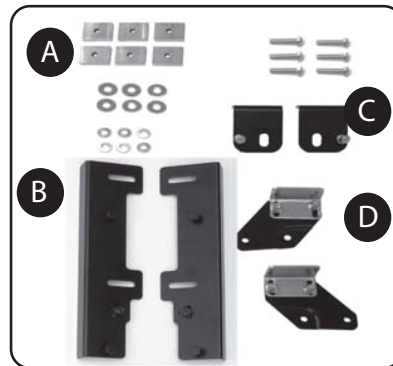
# MODEL SPECIFIC GUIDE

## HIDDEN HINGE VERSION

### Model 4066 Toyota Tacoma Double Cab 6' Long Bed 2005-2015 (With Multi-Track System)

#### Tacoma Bracket Kit

- A: Mounting Hardware
- B: Front Brackets
- C: Prop Brackets
- D: Rear Brackets

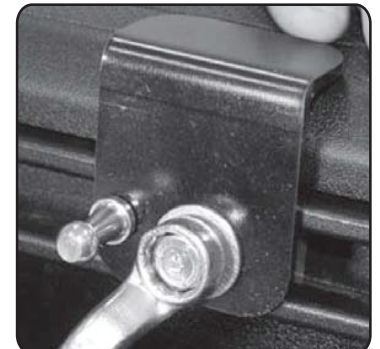
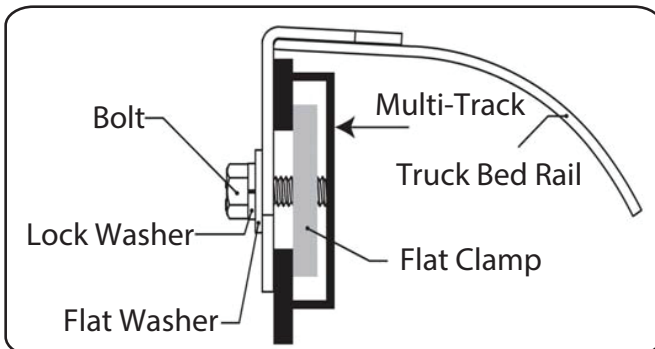


**Note:** Before beginning install, you must remove the factory Multi-Track tie down cleats. These cleats may be reinstalled after the cover install is complete.



#### RE: Step 2 on the Quick Start Guide

Remove the end caps from the Multi-Track system. Install the prop mounting brackets. Slightly screw the Multi-Track flat clamps on to the bolt and through the prop mounting bracket. Slide the flat clamp into the Multi-Track system. Position according to the measurement on the reverse side.



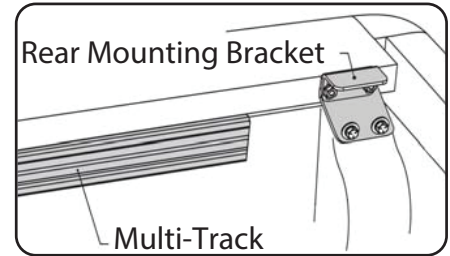
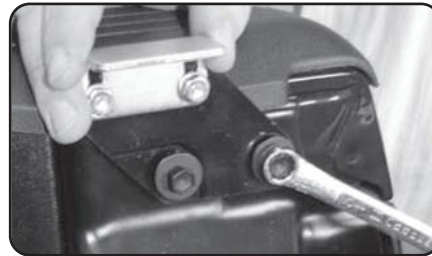
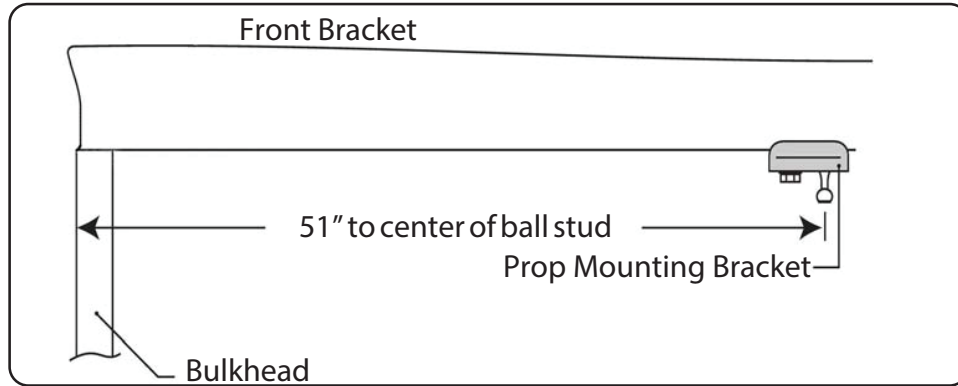


# MODEL SPECIFIC GUIDE HIDDEN HINGE VERSION

## Model 4066 Toyota Tacoma 6' Long Bed 2005-2015

### Continued - RE: Step 2 on the Quick Start Guide

Position the prop mount bracket 51" from the front of the bulkhead to the center of the ball stud. Install the rear brackets using the two bolts nearest the tailgate, close to the top rail of the truck.



### RE: Step 3 on the Quick Start Guide

Measurement for the front mounting bracket is 17 3/8" from the back side of the bulkhead to the end of the bracket. Install using the Multi-Track flat clamps.

The fit of the cover to the truck bed is determined by the front mounting brackets. This measurement is a good starting point. Unfortunately not all truck beds are assembled 100% square, so some adjustments may be necessary after the cover is set on the truck.

