

# INSTALLATION INSTRUCTIONS

## **CUSTOMER SERVICE**

Phone: 866-900-8800 • 8:30 am - 5:00 pm Mon - Fri CST

Email: [info@undercoverinfo.com](mailto:info@undercoverinfo.com)



# MODEL SPECIFIC GUIDE

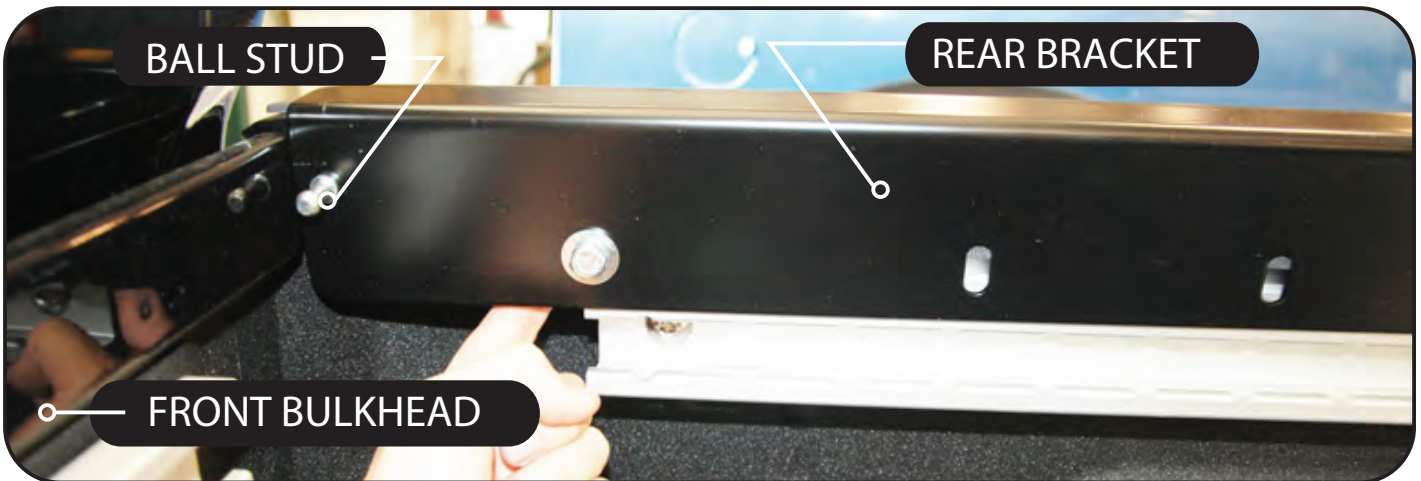
HIDDEN HINGE VERSION

5098

## Model 5098 Nissan Frontier 5' Short Bed 2022

### RE: Step 2 on the Quick Start Guide

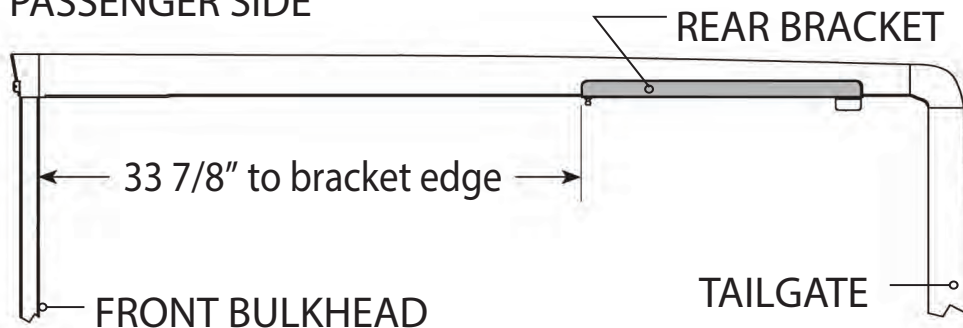
Position the rear bracket at the front of the bed with the ball stud closest to the bulkhead. Slightly thread one bolt and clamp together in the first hole and then slide the entire bracket towards the rear of the truck. This is necessary on trucks with a tie down system to allow access to the first clamp position. If your truck does not have the tie down system, go to the next page.



### RE: Step 2 on the Quick Start Guide

Measurement for the rear mounting bracket is 33 7/8" from the back side of the bulkhead to the front edge of the bracket.

### TOP VIEW PASSENGER SIDE





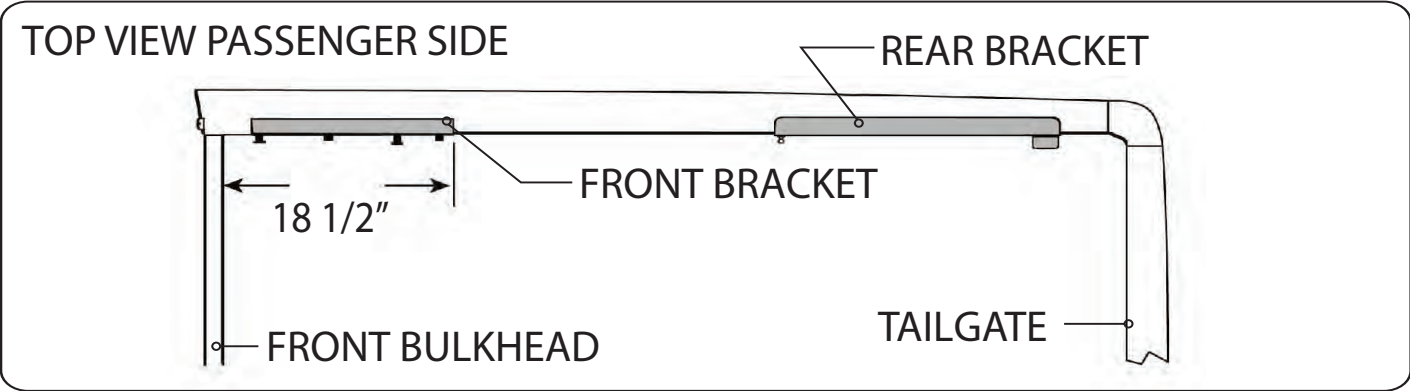
# MODEL SPECIFIC GUIDE HIDDEN HINGE VERSION

## MODEL 5098 Nissan Frontier 5' Short Bed 2022

### RE: Step 3 on the Quick Start Guide

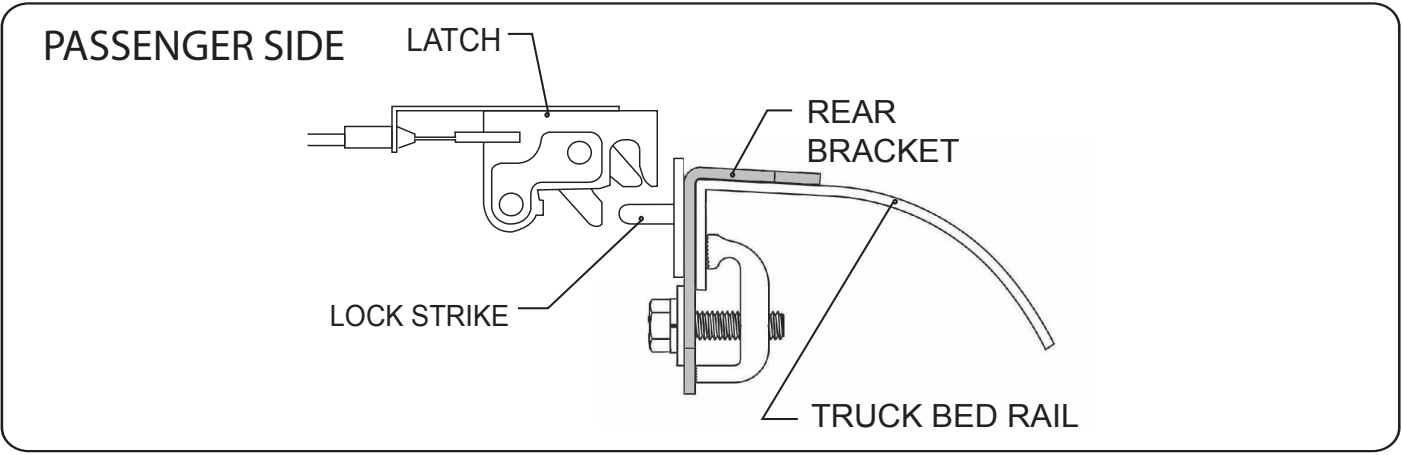
Measurement for the front mounting bracket is 18 1/2" from the back side of the bulkhead to the end of the bracket.

The fit of the cover to the truck bed is determined by the front mounting brackets. This measurement is a good starting point. Unfortunately not all truck beds are assembled 100% square, so some adjustments may be necessary after the cover is set on the truck.



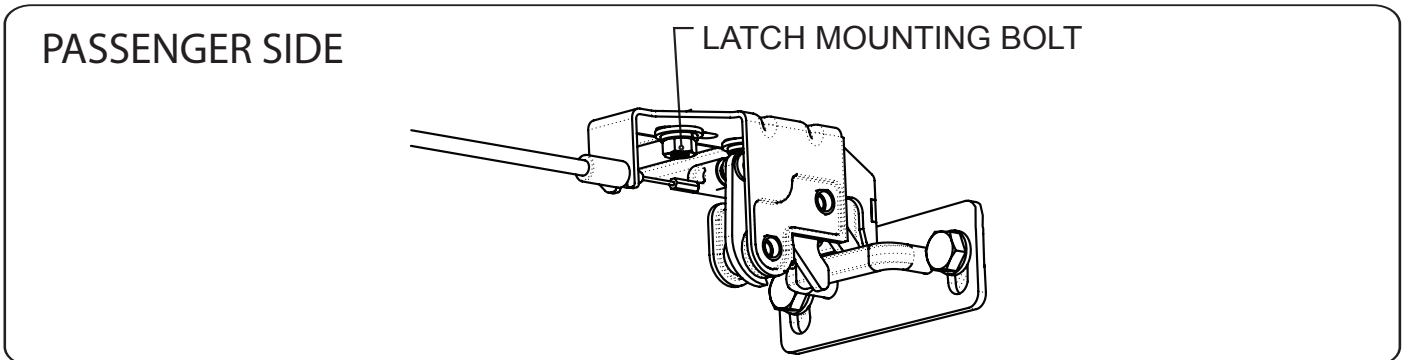
Adjust the lock strikes up or down accordingly. With the tailgate down adjust the lock strike to allow approximately 1/8" (3mm) play in the cover up and down.

Torque to 8.5ft lbs or 100in lbs.



It may be necessary to adjust the latch side to side, to do so loosen the two latch mounting bolts, adjust latch and tighten.

Torque to 8.5ft lbs or 100in lbs.





## Bulkhead Extension Install Instructions

Read instructions thoroughly before beginning installation.

1. If your Undercover has been previously installed to the truck, you must first remove the cover from the truck. If you have not installed the cover, the bulkhead extender can be done at any point during the install of the Undercover hardware.
2. Clean the bulkhead (the area of the bed directly behind the cab, specifically the top 1" of the vertical surface) and wipe with alcohol.

***Special Note: The bulkhead extender cannot be applied using the tape only method if you have a bedliner (plastic or spray-on) covering the bulkhead. If you have a plastic bedliner covering the bulkhead, you will either have to trim it off flush or attach the bulkhead extender with screws. If you have a spray-on bedliner covering the bulkhead, you will have to use screws.***

3. Starting at left or right, pull back approximately 6" of tape backing and attach to truck (install flush to no more than 1/16" above bulkhead), working in approximately 6" sections remove tape backing to expose adhesive and stick the area as you work your way across the bulkhead (be careful not to break the tape backing as you pull it from the part). Press firmly across entire bulkhead.
4. Finish the installation procedure; be sure to push the front seal out. It may be necessary to leave your cover closed for a day or so in order to set the seal to the proper position.
5. The purpose of this piece is to widen the bulkhead and provide a landing for the seal across the front of the cover; this eliminates the majority of the water that comes in when you open the cover. However due to the way the truck bed is assembled a gap may remain on the corners. If you are not satisfied with the performance of the seal, a very small amount of silicone can be applied to the corners.

