



# INSTALLATION INSTRUCTIONS FRONT A-ARM BODY ARMOR

Part Number: 83682

Application: 2009 POLARIS SPORTSMAN XP 550/850

Your safety, and the safety of others, is very important. To help you make informed decisions about safety, we have provided installation and operating instructions and other information on labels and in this guide. This information alerts you to potential hazards that could hurt you or others. It is not possible to warn you about all potential hazards associated with this product, you must use your own good judgment.

**CARELESS INSTALLATION AND OPERATION CAN RESULT IN SERIOUS INJURY OR EQUIPMENT DAMAGE. READ AND UNDERSTAND ALL SAFETY PRECAUTIONS AND OPERATING INSTRUCTIONS BEFORE INSTALLING AND OPERATING THIS PRODUCT.**

This guide identifies potential hazards and has important safety messages that help you and others avoid personal injury or death. **WARNING** and **CAUTION** are signal words that identify the level of hazard. These signal words mean:

**▲WARNING** signals a hazard that *could* cause serious injury or death, if you do not follow recommendations. **▲CAUTION** signals a hazard that *may* cause minor to moderate injury, if you do not follow recommendations.

This guide uses **NOTICE** to call attention to important mechanical information, and **Note** to emphasize general information worthy of special attention.

## ▲ WARNING

### INJURY HAZARD

Failure to observe these instructions could lead to severe injury or death.

- Always** Read all warning labels before operating.
- Always** use extreme caution when drilling on any vehicle. Make sure that all fuel lines, brake lines, electrical wires, and other objects are not punctured or damaged when/if drilling on the vehicle. Thoroughly inspect the area to be drilled (on both sides of material) prior to drilling, and relocate any objects that may be damaged. Failure to inspect the area to be drilled may result in vehicle damage, electrical shock, fire or personal injury.
- Always** wear safety glasses when installing this kit. A drilling operation will cause flying metal debris.
- Always** use extreme caution when cutting and trimming during fitting.
- Always** remove jewelry and wear eye protection.
- Never** lean over battery while making connections.
- Always** insure components will remain secure during installation and operation.
- Always** tighten all nuts and bolts securely, per the installation instructions.
- Always** inspect, tighten, and replace damaged hardware before use.
- Always** replace all worn or damaged parts before operating.
- Never** operate this WARN product with damaged or missing parts.
- Never** work under vehicle before properly securing vehicle.

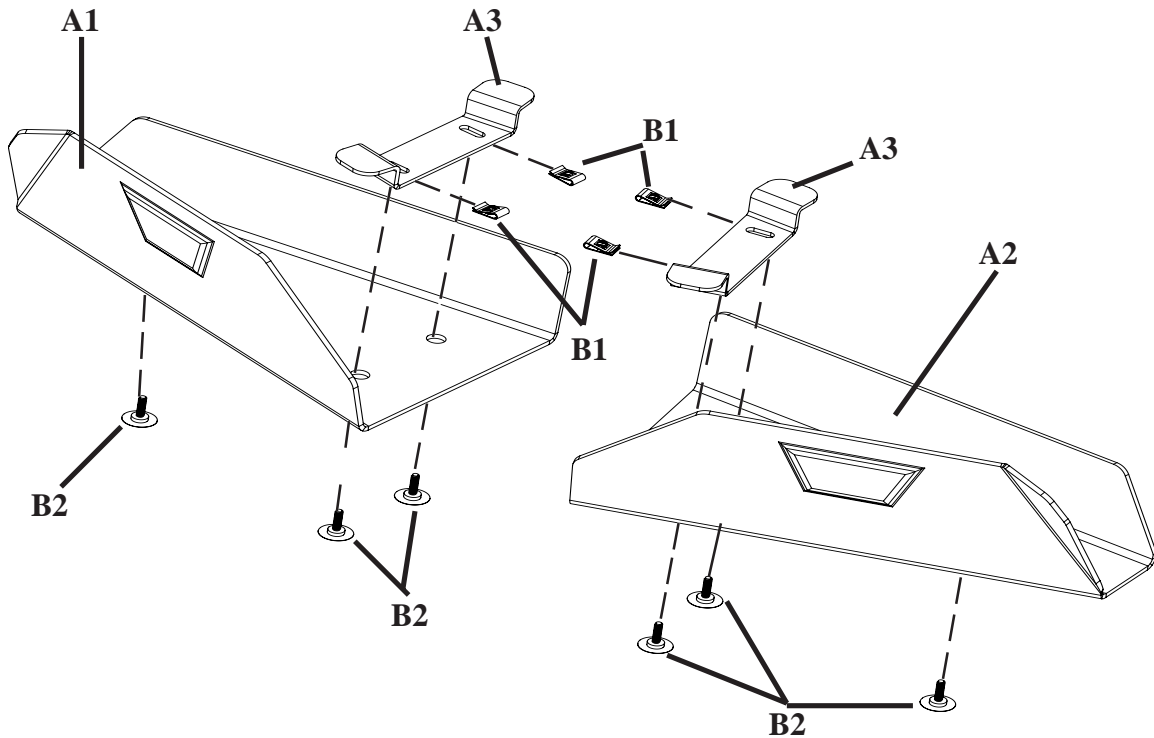
## NOTICE

- Product may affect airflow to vehicle engine and drivetrain components.
- Installation of this accessory may affect vehicle warranty.
- This product will NOT protect vehicle from all impacts and terrain conditions.

<b>⚠ Caution</b>	
<b>Moving Parts Entanglement Hazard</b>	
<b>Failure to observe these instructions could lead to minor or moderate injury.</b>	
<input type="checkbox"/>	<b>Always</b> take time to fully read and understand the installation and Operations Guide included with this product.
<input type="checkbox"/>	<b>Never</b> operate this product if you are under 16 years of age.
<input type="checkbox"/>	<b>Never</b> operate this product when under the influence of drugs, alcohol or medications.
<b>Read installation and operating instructions thoroughly.</b>	

## I. TABLE OF CONTENTS

Before You Begin ..... page 3  
 Parts List ..... page 3  
 Tools Required ..... page 3  
 Torque Specifications ..... page 3  
 Installation ..... page 4 - 6  
 Maintenance/Care ..... page 7



## II. BEFORE YOU BEGIN

<b>⚠ Caution</b>
<b>Injury Hazard</b>
<b>Failure to observe these instructions could lead to injury.</b>
<input type="checkbox"/> Part edges may be sharp!

### Installation tip:

- Apply electrical tape to clean dry vehicle components that will be in direct contact with aluminum skid plates. Tape will help protect painted finish against abrasion and can reduce tendency of squeaks.
- Raising the vehicle on a hoist or ramps may ease installation of this product.

## III. PARTS LIST

<u>Reference</u>	<u>Part Number</u>	<u>Qty</u>	<u>Description</u>
A1	82366	1	Guard A-Arm Front Left
A2	82367	1	Guard A-Arm Front Right
A3	83311	2	A-Arm Support Bracket
B1	75344	4	U-Nut M6-1.0 screw
B2	75170	6	Screw M6-1.0 flange head

## IV. TOOLS REQUIRED

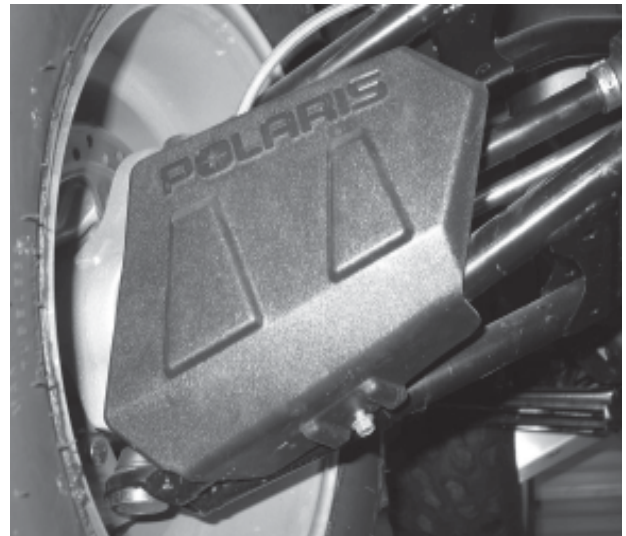
- 10mm, hex wrench and or socket
- #30 Torx socket and driver

## V. TORQUE SPECIFICATIONS

<u>Fastener Size</u>	<u>Torque lb.ft. (n-m)</u>
M6	8 lb. ft. (10.8 N-m)

## VI. INSTALLATION:

1. Remove the 1 fastener securing the front factory a-arm protector and remove the front protector, figure 1 and 2.

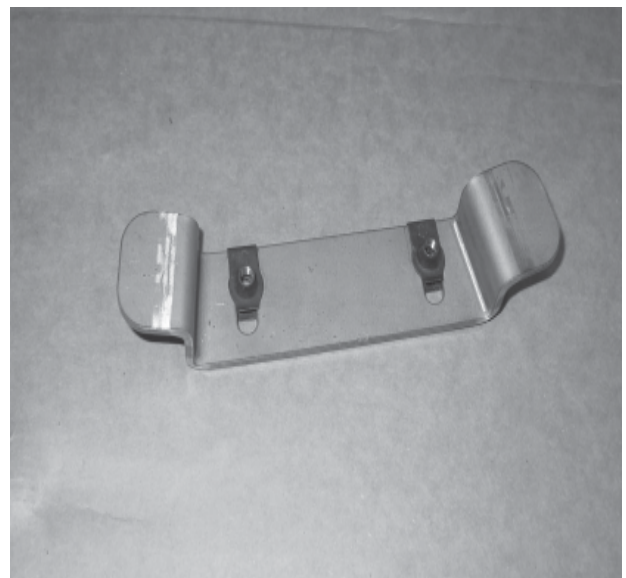


*Figure 1*



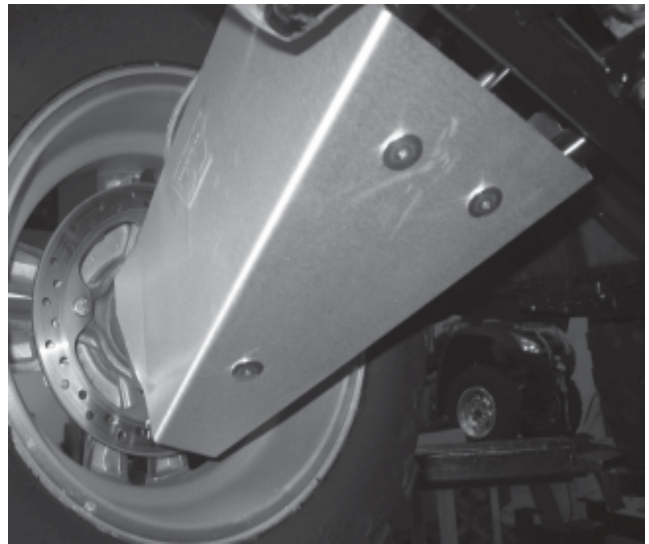
*Figure 2*

2. Place 2 M6 u-nuts (B1) onto the front a-arm support bracket (A3), figure 3.



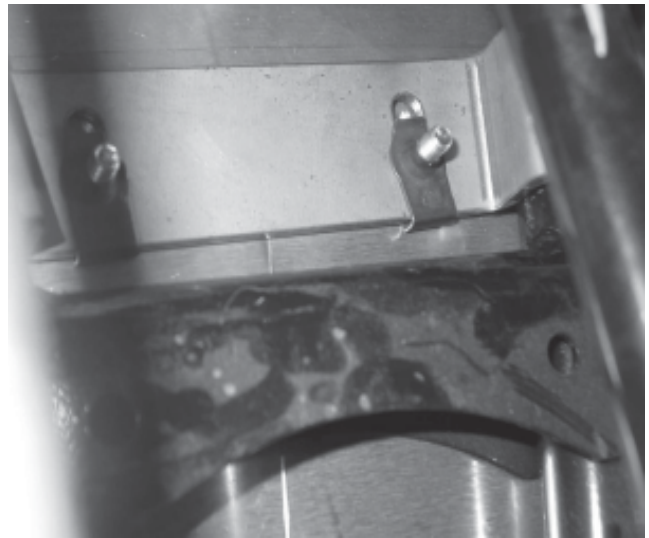
*Figure 3*

3. Place the a-arm guard (A1 or A2) into position over the vehicle a-arm assembly, figure 4.
4. Attach the a-arm guard (A1 or A2) using 3 M6-1.0 flange head screws (B2). Place the first M6 screw into the tapped hole where the factory mounting screw was removed in step 1, figure 4.



*Figure 4*

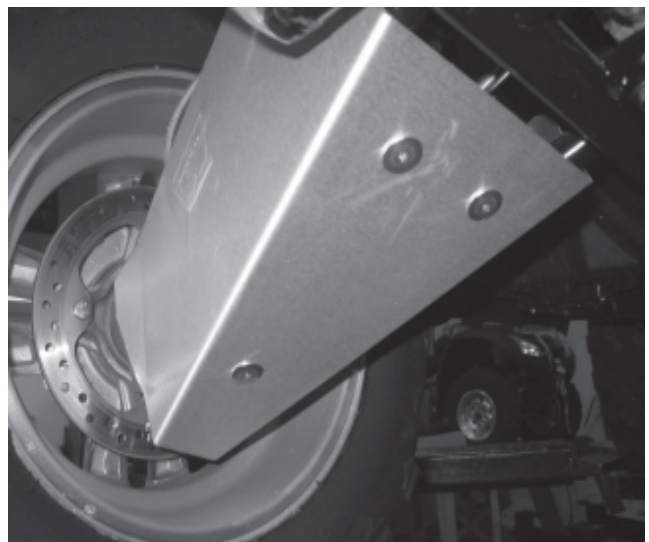
5. Place the a-arm guard support bracket (A3) into position inside the a-arm guard. The support bracket will lay across the vehicle a-arm assembly. Attach the support bracket (A3) with 2 of the M6-1.0 flange screws (B2), figures 4, 5 and 6.



*Figure 5*

6. Torque fasteners down using the torque specification on page 3. Installation is complete on one of the front a-arms repeat procedure for the other side.

**NOTE:** Applying a small amount of thread lock will help insure M6 bolts will stay secure.



*Figure 6*

## **VII. MAINTENANCE/CARE**

- Inspect all metal parts and related hardware. Replace all parts that appear corroded, cracked or deformed prior to use.
- Inspect all nuts and bolts and related hardware prior to each use. Tighten all nuts and bolts that appear to be loose. Stripped, fractured, or bent bolts or nuts need to be replaced immediately.
- Check skid plates protecting moving or rotating parts of the vehicle . Remove debris that may inhibit the part from moving freely. Removal of aluminum armor may be necessary to thoroughly clean and inspect both the vehicle and the aluminum underbody components. Frequency of removal will depend on the type of terrain conditions experienced. Regular cleaning will help keep product looking good and will help avoid damage to related components.

## **VIII. SERVICE PARTS**

PN 75496 Kit Includes (10) PN 75170.

Contact Warn customer service with installation issues, comments, concerns, and questions.

**WARN INDUSTRIES, INC**  
**Customer Service Department**  
**12900 SE Capps Road**  
**Clackamas, OR 97015**  
**1-800-543-WARN (1-800-543-9276)**  
**1-503-722-3005 International Fax**  
**www.warn.com**