

INSTALLATION INSTRUCTIONS

PRODUCT DESCRIPTION



APPLICATION:


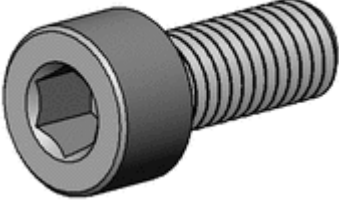
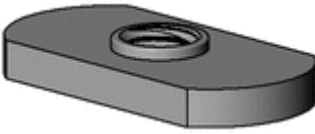

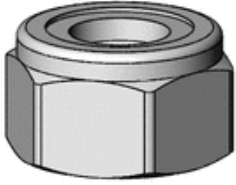
AMPS Compatible 2 Hole 20mm Ball Mount 47mm

PART NUMBER:

10-21015

CONTENT			
ITEM	QUANTITY	DESCRIPTION	TOOLS NEEDED
1	1	2 HOLE 20MM BALL MOUNT 47MM	4MM ALLEN KEY
2	2	M5 SOCKET HEAD CAP SCREW	8MM WRENCH
3	2	M5 WELD NUT	8MM SOCKET
4	2	M5 FLAT WASHER	RATCHET
5	2	M5 NYLON LOCKNUT	

ANTI-SEIZE LUBRICANT MUST BE USED ON ALL STAINLESS STEEL FASTENERS TO PREVENT THREAD DAMAGE AND GALLING

PROCEDURE

1. Remove contents from box, verify if all parts listed are present and free from damage.
Carefully read and understand all instructions before attempting installation.
Failure to identify damage before installation could lead to a rejection of any claim.

Item 1 Mounted to Westin Vehicle Dash Mount

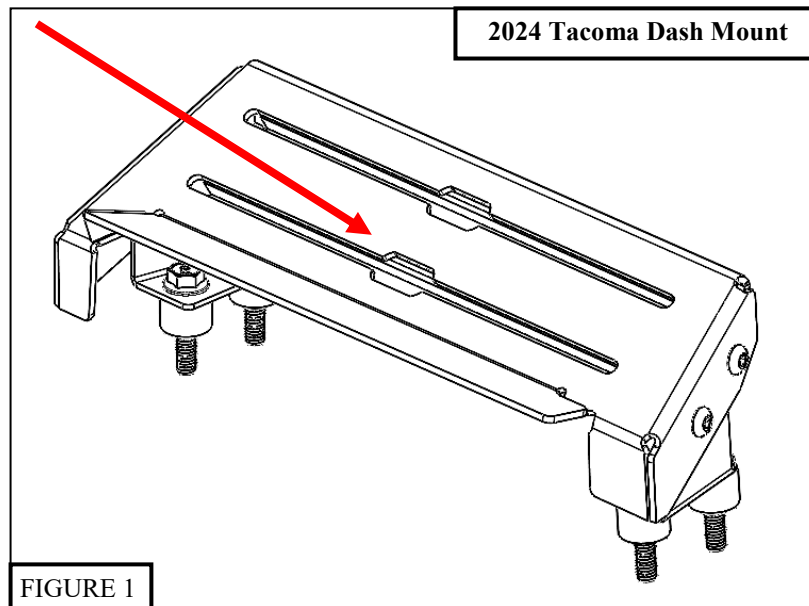
2. If a Westin vehicle dash mount will be used, insert the provided M5 Weld Nuts (Item 3) into the dash mount slots (Figure 1.)
3. Use Items 2 and 4 to attach Item 1 to the dash mount.
4. Mount desired Westin Mounting Solutions accessories onto Item 1.

Item 1 Mounted to non Westin Vehicle Dash Mount

5. Use Items 2, 4, and 5 to mount Item 1 onto non Westin Dash Mount.
6. Mount desired Westin Mounting Solutions accessories onto Item 1.

INSTALLATION COMPLETE

INSERT M5 WELD
NUTS HERE





WARNING



Failure to follow these instructions could lead to death, personal injury, and / or property damage.

Failure to follow these instructions could lead to death, personal injury, and / or property damage.

FASTENERS:

All Westin supplied fasteners must be utilized and installed in accordance with the installation instructions and apply torque to the specifications as defined. **DOUBLE CHECK ALL FASTENERS BEFORE INITIAL USE, AND PERIODICALLY IN THE FUTURE TO ENSURE PROPER FUNCTION AND SAFETY.**

DRILLING:

Most Westin products do not require drilling for installation. If drilling is defined as required, use caution when drilling a vehicle. **FAILURE TO REVIEW AN AREA TO BE DRILLED MAY RESULT IN PERSONAL INJURY AND/OR INJURY TO OTHERS AS WELL AS VEHICLE DAMAGE.**

EYE PROTECTION:

ALWAYS WEAR SAFETY GLASSES OR GOGGLES DURING THE INSTALLATION PROCESS TO AVOID PERSONAL INJURY.

MAXIMUM TOWING/CARRYING CAPACITY: (if applicable)

The Westin Receiver Hitches will have a visible tow rating label affixed directly on the product. User should never exceed the vehicle manufacturers maximum tow and weight rating regardless of the capacity of the hitch. **FAILURE TO FOLLOW THESE GUIDELINES WILL VOID THE WESTIN WARRANTY AND MAY RESULT IN PERSONAL INJURY AND/OR INJURY TO OTHERS AS WELL AS VEHICLE DAMAGE.**

FOR CALIFORNIA RESIDENTS ONLY-PROP 65 WARNING:

Some products may contain chemicals such as DEHP, which can cause cancer, birth defects or other reproductive harm. For more info go to www.p65warnings.ca.gov



Westin Automotive Products, Inc.
320 W. Covina Blvd
San Dimas, Ca. 91773