

# INSTALLATION INSTRUCTIONS

## PRODUCT DESCRIPTION



APPLICATION:

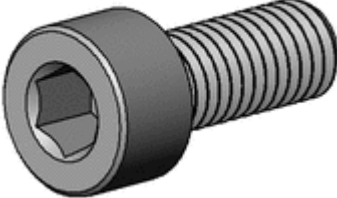

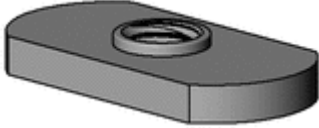
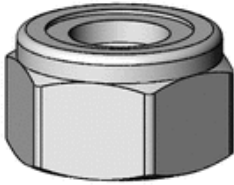
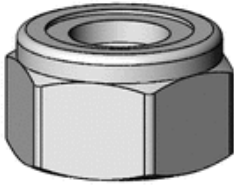
AMPS Compatible 20mm Ball Mount 38mm x 30mm

PART NUMBER:

10-21035

CONTENT			
ITEM	QUANTITY	DESCRIPTION	TOOLS NEEDED
1	1	20MM BALL MOUNT 38MM x 30MM	4MM ALLEN KEY
2	4	M5 SOCKET HEAD CAP SCREW	8MM WRENCH
3	4	M5 WELD NUT	8MM SOCKET
4	4	M5 FLAT WASHER	RATCHET
5	4	M5 NYLON LOCKNUT	

**ANTI-SEIZE LUBRICANT MUST BE USED ON ALL STAINLESS STEEL FASTENERS TO PREVENT THREAD DAMAGE AND GALLING**

## PROCEDURE

1. Remove contents from box, verify if all parts listed are present and free from damage.  
Carefully read and understand all instructions before attempting installation.  
**Failure to identify damage before installation could lead to a rejection of any claim.**

### Item 1 Mounted to Westin Vehicle Dash Mount

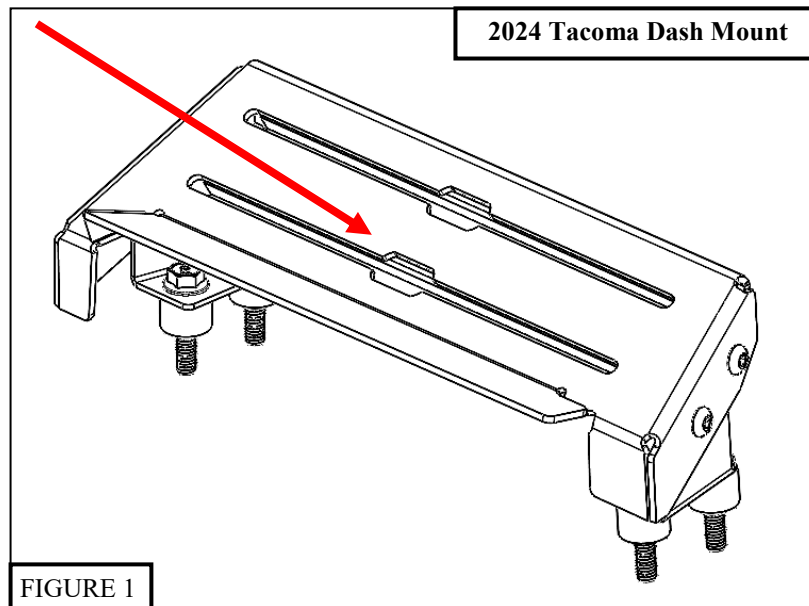
2. If a Westin vehicle dash mount will be used, insert the provided M5 Weld Nuts (Item 3) into the dash mount slots (Figure 1.)
3. Use Items 2 and 4 to attach Item 1 to the dash mount.
4. Mount desired Westin Mounting Solutions accessories onto Item 1.

### Item 1 Mounted to non Westin Vehicle Dash Mount

5. Use Items 2, 4, and 5 to mount Item 1 onto non Westin Dash Mount.
6. Mount desired Westin Mounting Solutions accessories onto Item 1.

INSTALLATION COMPLETE

INSERT M5 WELD  
NUTS HERE





## WARNING



Failure to follow these instructions could lead to death, personal injury, and / or property damage.

Failure to follow these instructions could lead to death, personal injury, and / or property damage.

### FASTENERS:

All Westin supplied fasteners must be utilized and installed in accordance with the installation instructions and apply torque to the specifications as defined. **DOUBLE CHECK ALL FASTENERS BEFORE INITIAL USE, AND PERIODICALLY IN THE FUTURE TO ENSURE PROPER FUNCTION AND SAFETY.**

### DRILLING:

Most Westin products do not require drilling for installation. If drilling is defined as required, use caution when drilling a vehicle. **FAILURE TO REVIEW AN AREA TO BE DRILLED MAY RESULT IN PERSONAL INJURY AND/OR INJURY TO OTHERS AS WELL AS VEHICLE DAMAGE.**

### EYE PROTECTION:

**ALWAYS WEAR SAFETY GLASSES OR GOGGLES DURING THE INSTALLATION PROCESS TO AVOID PERSONAL INJURY.**

### MAXIMUM TOWING/CARRYING CAPACITY: (if applicable)

The Westin Receiver Hitches will have a visible tow rating label affixed directly on the product. User should never exceed the vehicle manufacturers maximum tow and weight rating regardless of the capacity of the hitch. **FAILURE TO FOLLOW THESE GUIDELINES WILL VOID THE WESTIN WARRANTY AND MAY RESULT IN PERSONAL INJURY AND/OR INJURY TO OTHERS AS WELL AS VEHICLE DAMAGE.**

### FOR CALIFORNIA RESIDENTS ONLY-PROP 65 WARNING:

Some products may contain chemicals such as DEHP, which can cause cancer, birth defects or other reproductive harm. For more info go to [www.p65warnings.ca.gov](http://www.p65warnings.ca.gov)



Westin Automotive Products, Inc.  
320 W. Covina Blvd  
San Dimas, Ca. 91773