



INSTALLATION INSTRUCTIONS

R7 Step Board

APPLICATION:

2004-2014 Ford F150 Super Cab / 2008-2014 Super Crew

AUTOMOTIVE PRODUCTS,

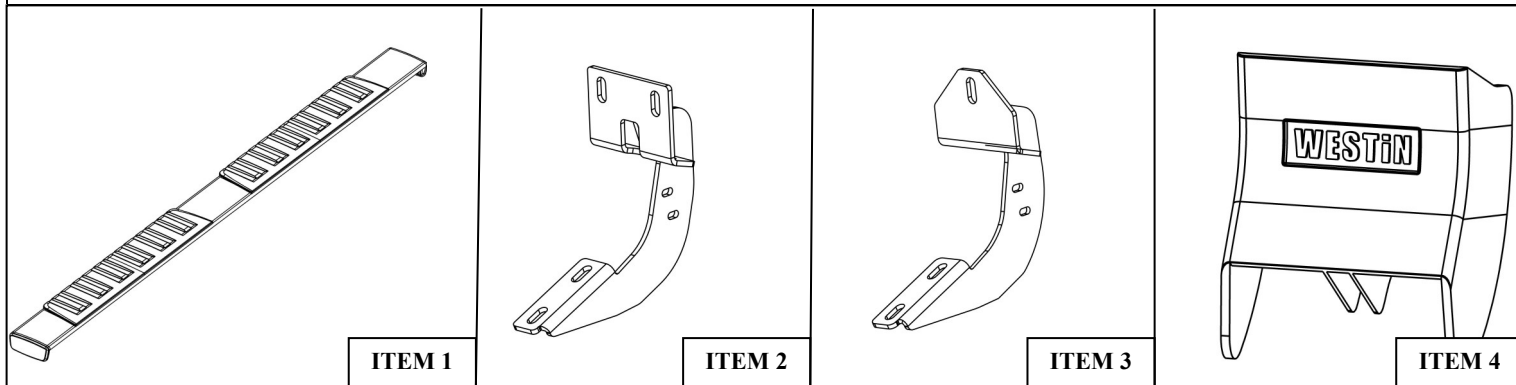
PART NUMBER:

28-71060, 28-71065, 28-71070, 28-71075

CONTENT			
ITEM	QUANTITY	DESCRIPTION	TOOLS NEEDED
1	2	STEP BAR ASSEMBLY	RATCHET
2	6 / *4	MOUNTING BRACKET	TORQUE WRENCH
3	*2	CENTER MOUNTING BRACKET	10MM SOCKET
4	6	PLASTIC COVER	13MM SOCKET
5	12	M8 U NUT-CLIP (YELLOW ZINC)	
6	12	M6 HEX HEAD CAP SCREW (YELLOW ZINC)	
7	24	M6 FLAT WASHER (YELLOW ZINC)	
8	12	M6 NYLON LOCK NUT (YELLOW ZINC)	
9	12	M8 SPLIT LOCK WASHER (BLACK ZINC)	
10	12	M8 HEX HEAD CAP SCREW (BLACK ZINC)	
11	24	M8 FLAT WASHER (BLACK ZINC)	
12	12	M8 HEX NUT (BLACK ZINC)	
13	24	M8 HEX HEAD CAP SCREW (BLACK ZINC) SEMS HARDWARE	
14	24	M8 FLAT WASHER (BLACK ZINC) SEMS HARDWARE	
15	24	M8 SPLIT LOCK WASHER (BLACK ZINC) SEMS HARDWARE	

Items with * next to the quantity amount correlate to Super Crew applications

ANTI-SEIZE LUBRICANT MUST BE USED ON ALL STAINLESS STEEL FASTENERS TO PREVENT THREAD DAMAGE AND GALLING



PROCEDURE

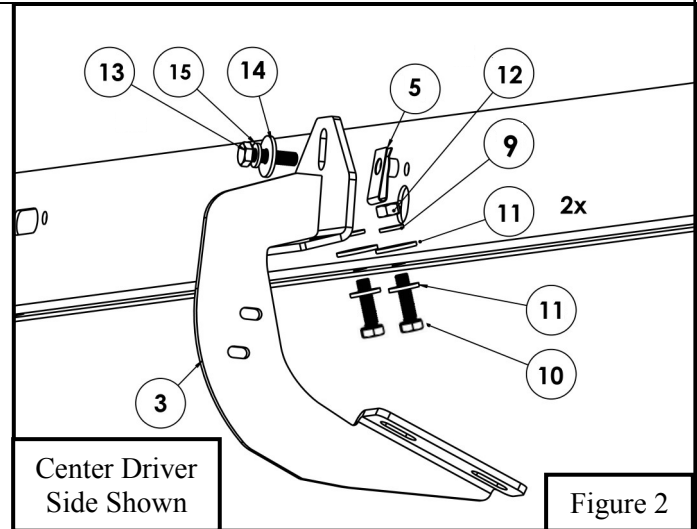
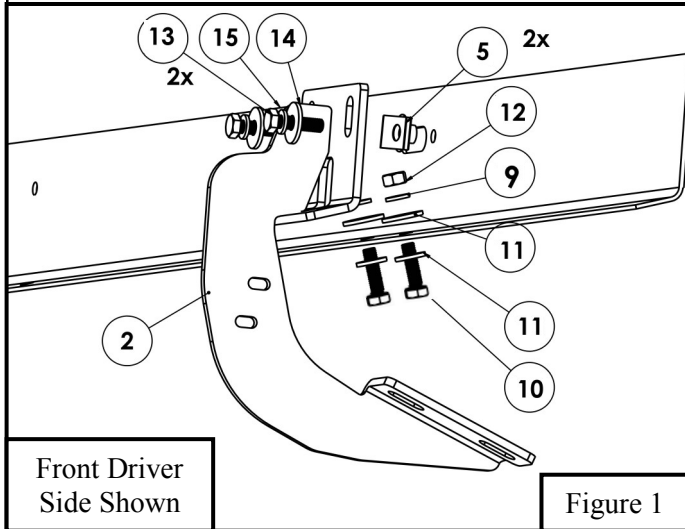
1. Remove contents from box, verify if all parts listed are present and free from damage. Carefully read and understand all instructions before attempting installation. **Failure to identify damage before installation could lead to a rejection of any claim.**



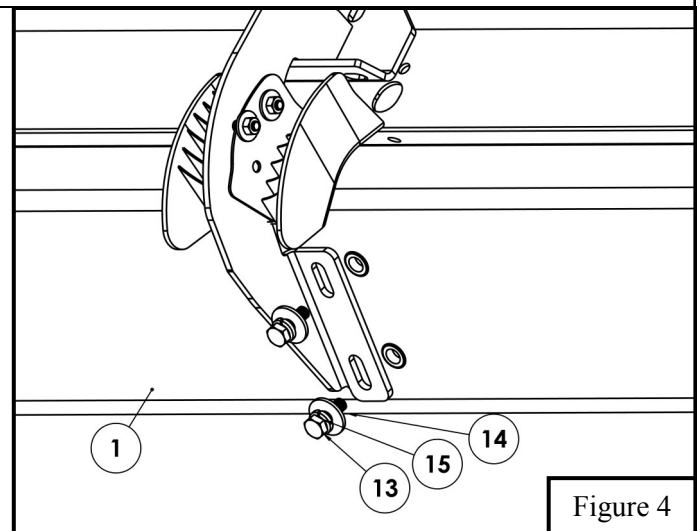
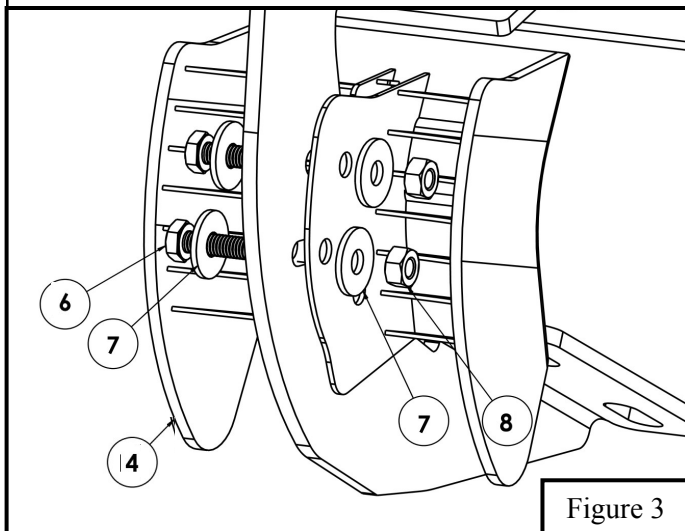
Westin Automotive Products, Inc.
320 W. Covina Blvd
San Dimas, Ca. 91773

Thank you for choosing Westin products
for additional installation assistance please call
Customer Service (800) 793-7846
www.westinautomotive.com

2. Start installation on driver's side. On the rocker panel find locations with factory holes to insert (2) M8 u nut-clips (Item 5) at all mounting locations for SuperCab applications, for Super Crew applications only (1) M8 u nut-clip (Item 5) is needed for center mounting brackets. **See Figure 1 and 2** (Note: SuperCab will have 6 mounting brackets and SuperCrews will have 4 mounting brackets and 2 center brackets.)
3. Hold up mounting bracket (Item 2) and loosely install (1) M8 hex head cap screw (Item 13), (1) M8 lock washer (Item 15), and (1) M8 flat washer (Item 14) **SEMS hardware** into previously installed M8 nut clips. Then loosely install M8 hardware to mounting bracket and holes in the pinch weld; (1) M8 hex nut (item 12), (1) lock washer (item 9), (2) M8 flat washers (item 11), and (1) M8 hex head cap screw (Item 10). Similar installation for center mounting bracket. **See Figure 1 and 2.**
4. Repeat steps 1-2 for all other mounting locations.



5. Locate (1) Plastic Bracket Cover (Item 4) and loosely secure it to the (6) previously installed brackets using the provided M6 hardware: (2) M6 hex head bolt (Item 6), (4) M6 flat washer (Item 7), and (2) M6 nylon lock nut (Item 8). Repeat for every bracket. **See Figure 3.**
6. Loosely install the Step Bar Assembly (Item 1) to the previously installed mounting brackets with the supplied M8 hardware (Items 13-15) **SEMS hardware**. **See Figure 4.**
7. Align step bar and brackets to desired positioning then torque and tighten all: M8 hardware to 20 ft-lbs and M6 hardware to 12 ft-lbs.



INSTALLATION COMPLETED



Crew Cab
Shown

Care Instructions

- REGULAR WAXING IS RECOMMENDED. DO NOT USE ANY TYPE OF POLISH OR WAX THAT MAY CONTAIN ABRASIVES.
- STAINLESS STEEL PRODUCTS CAN BE CLEANED WITH MILD SOAP AND WATER. STAINLESS STEEL POLISH SHOULD BE USED TO POLISH SMALL SCRATCHES.
- GLOSS BLACK FINISHES SHOULD BE CLEANED WITH MILD SOAP AND WATER.



Westin Automotive Products, Inc.
320 W. Covina Blvd
San Dimas, Ca. 91773

Thank you for choosing Westin products
for additional installation assistance please call
Customer Service (800) 793-7846
www.westinautomotive.com