

INSTALLATION INSTRUCTIONS

ALUMINUM BED TOPPER

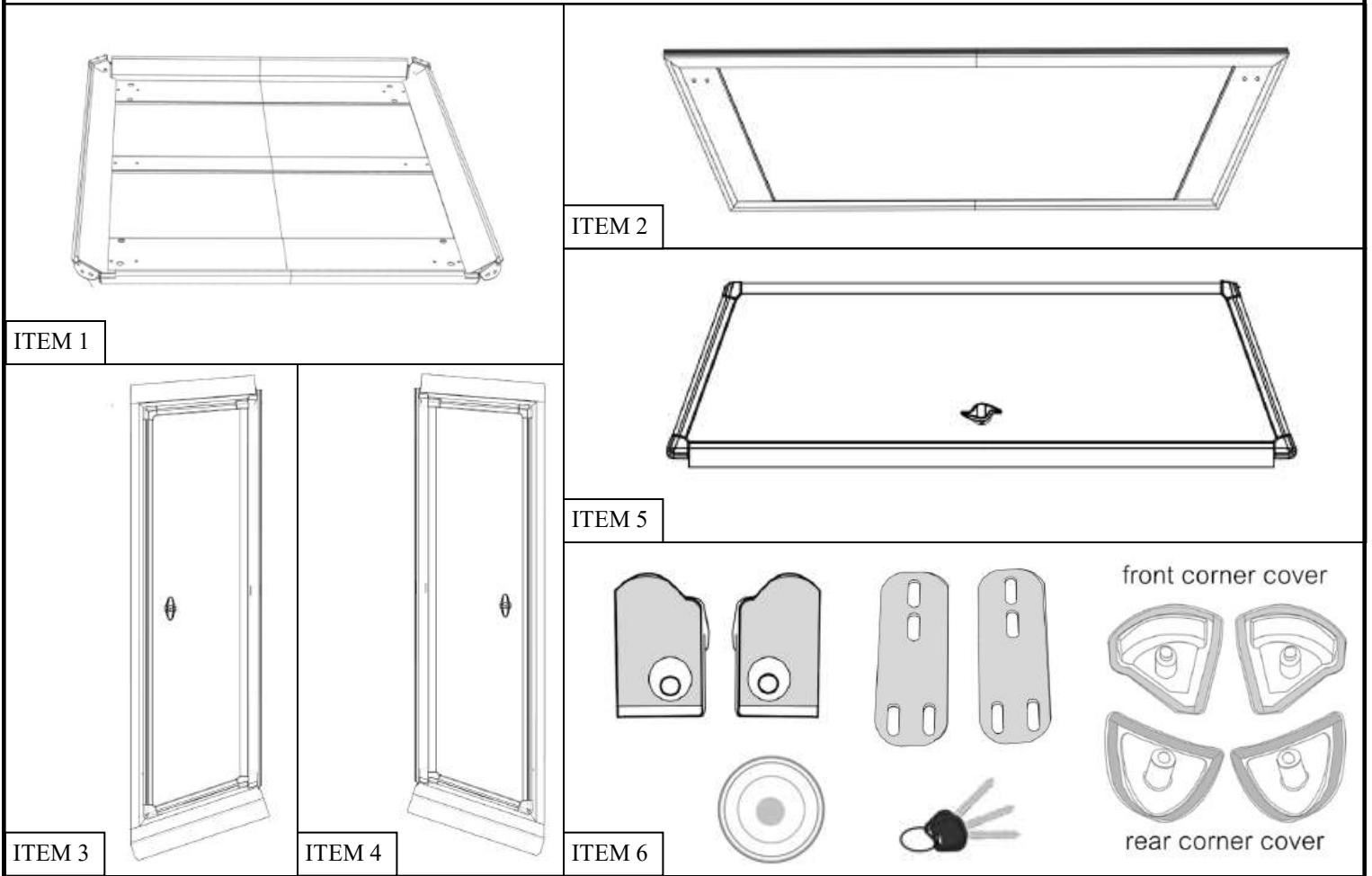


APPLICATION:
Toyota Tacoma 05-23 5.2' Bed

PART NUMBER: 16-11065

CONTENT			
ITEM	QUANTITY	DESCRIPTION	TOOLS NEEDED
1	1	ROOF PANEL	13mm SOCKET
2	1	FRONT PANEL	12mm SOCKET
3	1	LEFT SIDE PANEL	10mm SOCKET
4	1	RIGHT SIDE PANEL	RATCHET
5	1	REAR DOOR	TORQUE WRENCH
6	1	PARTS KIT #1	5MM ALLEN KEY
7	1	PARTS KIT #2	PHILLIPS SCREW-DRIVER
8	1	PARTS KIT #3	

ANTI-SEIZE LUBRICANT MUST BE USED ON ALL STAINLESS STEEL FASTENERS TO PREVENT THREAD DAMAGE AND GALLING

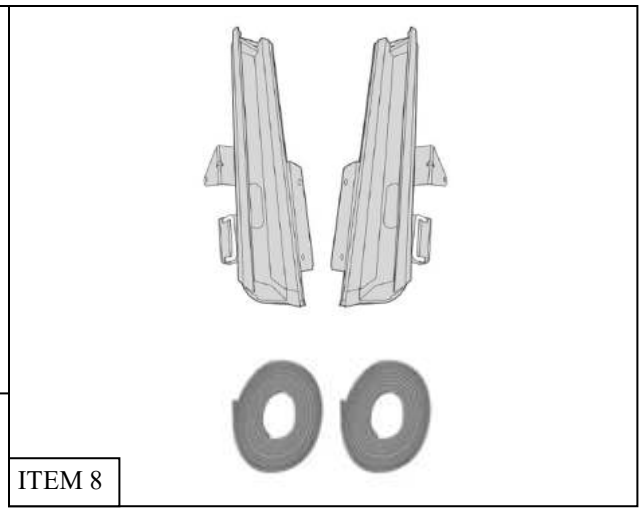
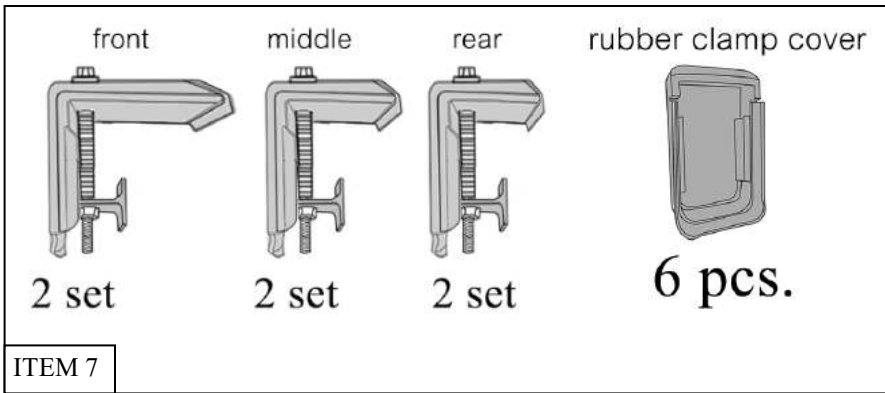


WESTIN Westin Automotive Products, Inc.
320 W. Covina Blvd
San Dimas, Ca. 91773

Thank you for choosing Westin products
for additional installation assistance please call
Customer Service (800) 793-7846

www.westinautomotive.com

DATE: 2/6/24



PROCEDURE

1. Remove contents from box, verify if all parts listed are present and free from damage. Carefully read and understand all instructions before attempting installation. **Failure to identify damage before installation could lead to a rejection of any claim.**
2. With the roof panel secured on a flat surface, slide the rear door into the roof panel. (Fig. 1)
3. Next, use a Phillips screwdriver to screw the three (3) #6 x 3/8 pan head tapping screws from **Parts Kit #1 (Item 6)** to secure the rear door panel onto the roof panel. Cross section view A-A shows how the railing system works to attach these components together. (Fig. 2)

FIGURE 1

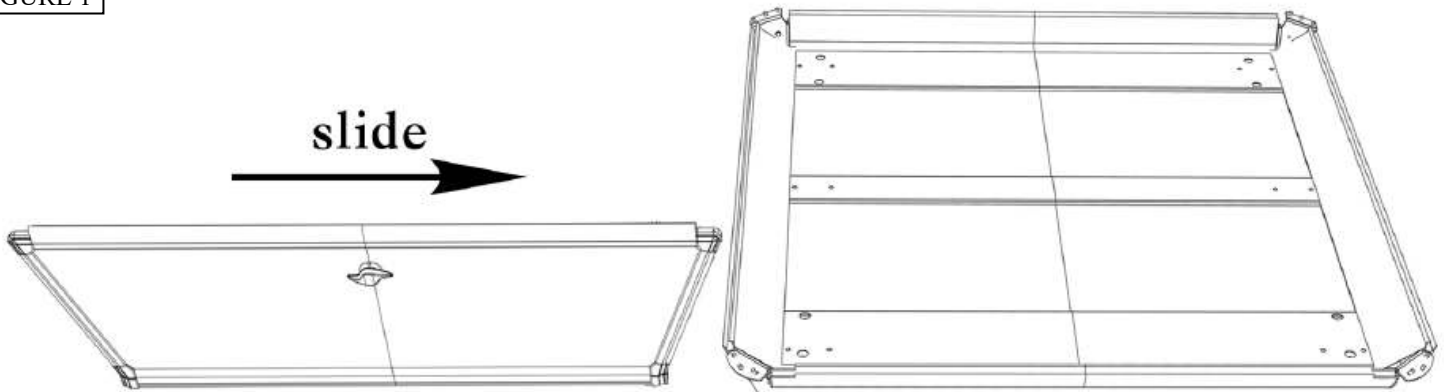
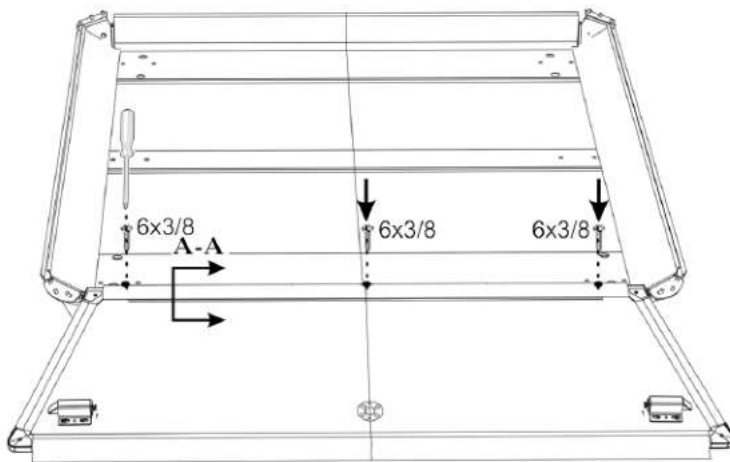
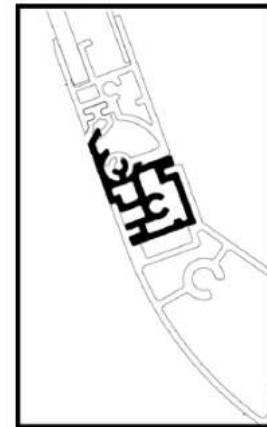


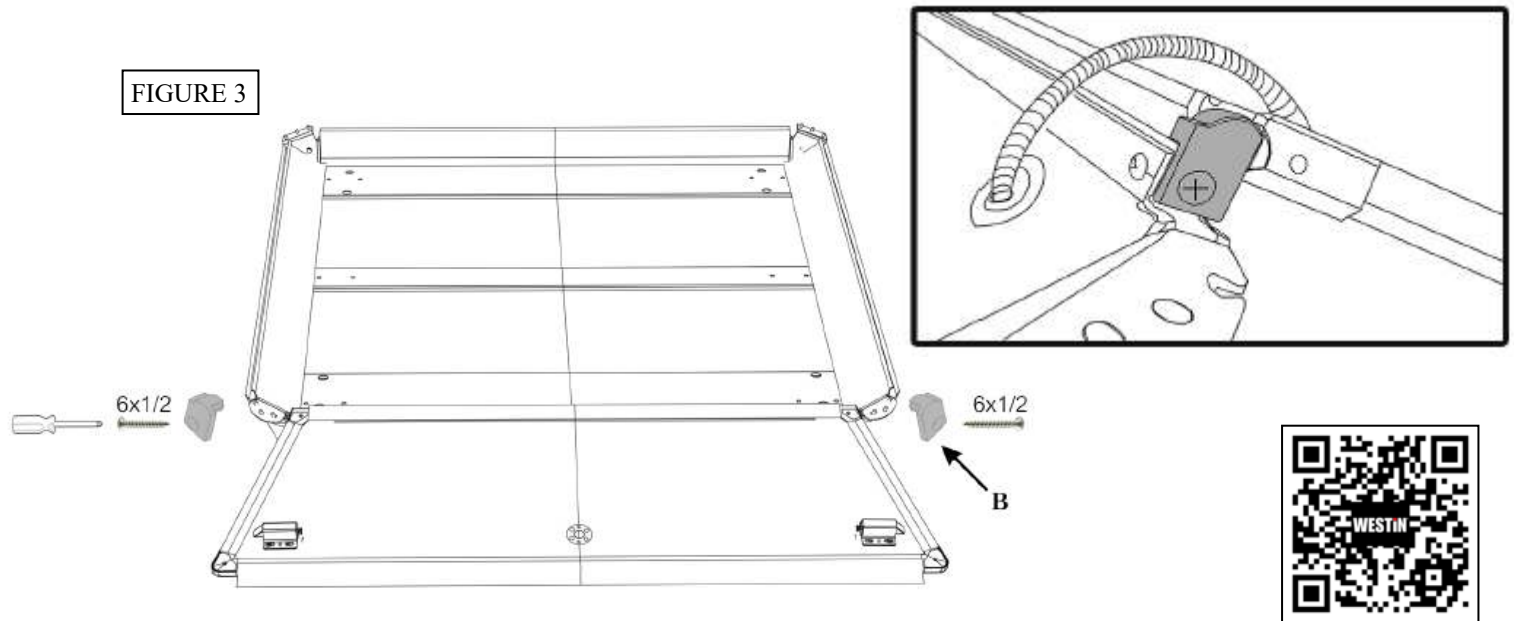
FIGURE 2



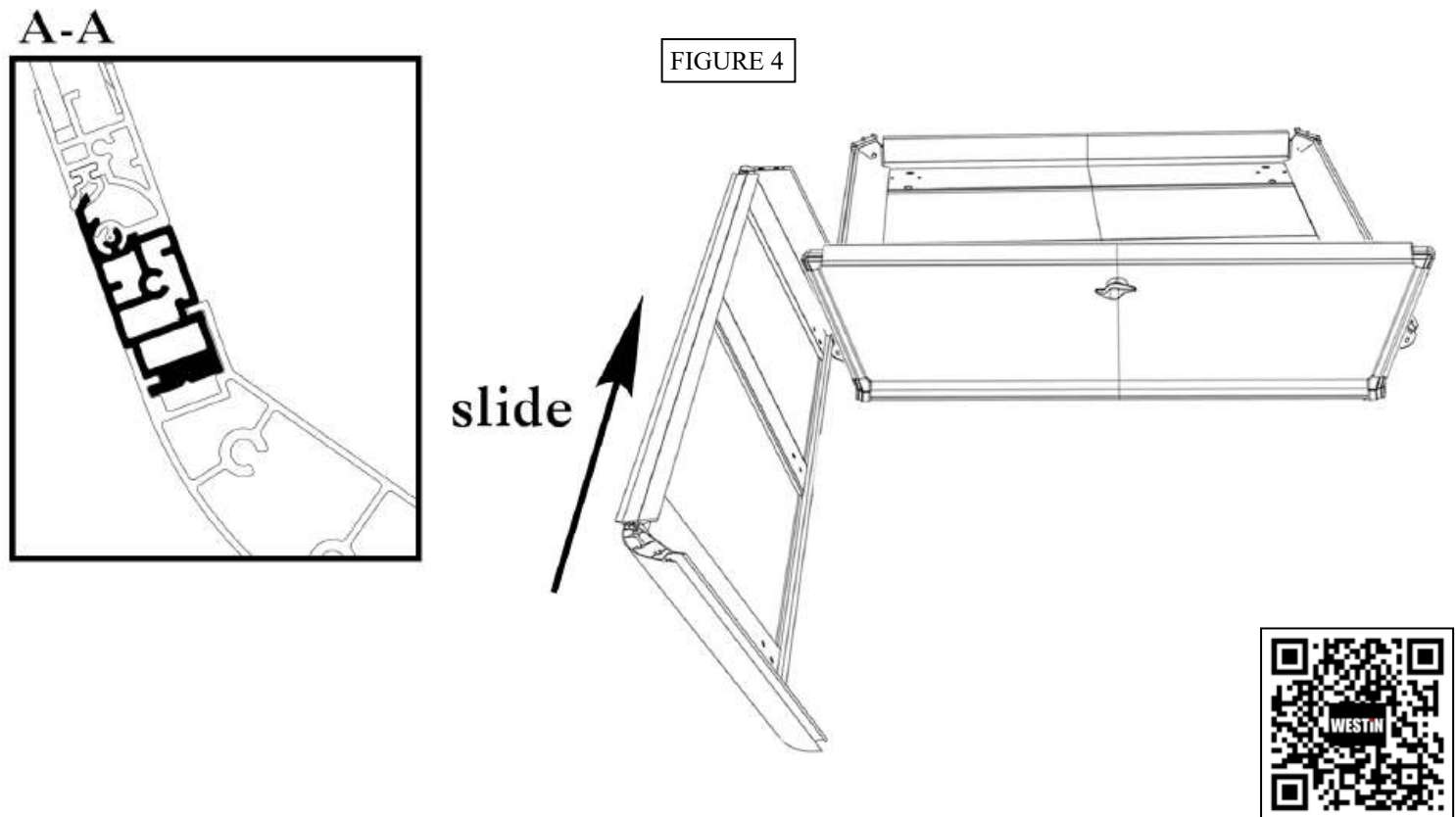
A-A



4. Screw in the rear door side covers using the two (2) #6 x 1/2 flat head tapping screws from **Parts Kit #1 (Item 6)**. The installation should look like the image below. **(Fig. 3)**

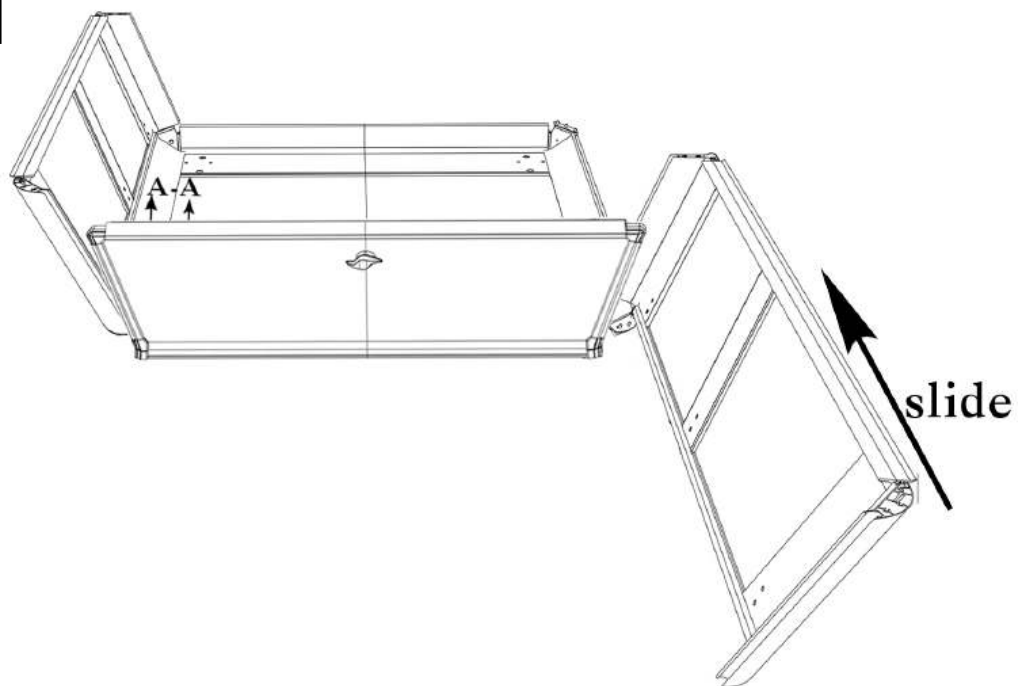


5. While lifting the rear door up, slide the left panel into the railing system. Section view A-A shows how the left panel slides into the roof panel. **(Fig. 4)**



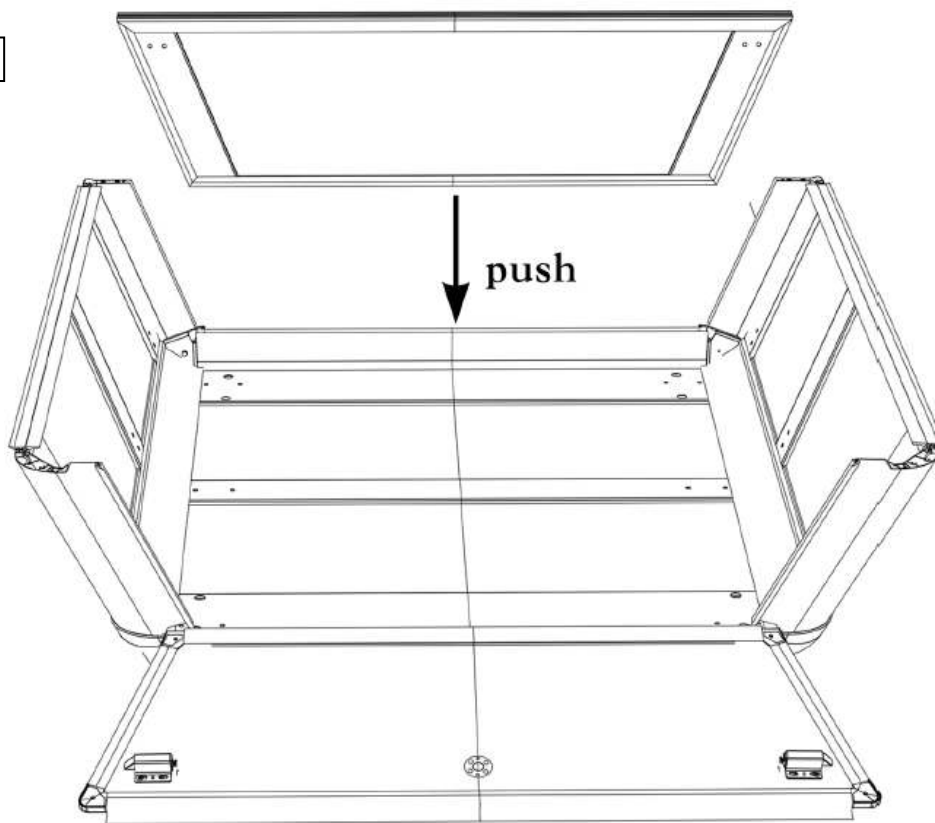
6. Repeat step 5 for the right panel. (Fig. 5)

FIGURE 5



7. Next, push the front panel into the roof panel. (Fig. 6)

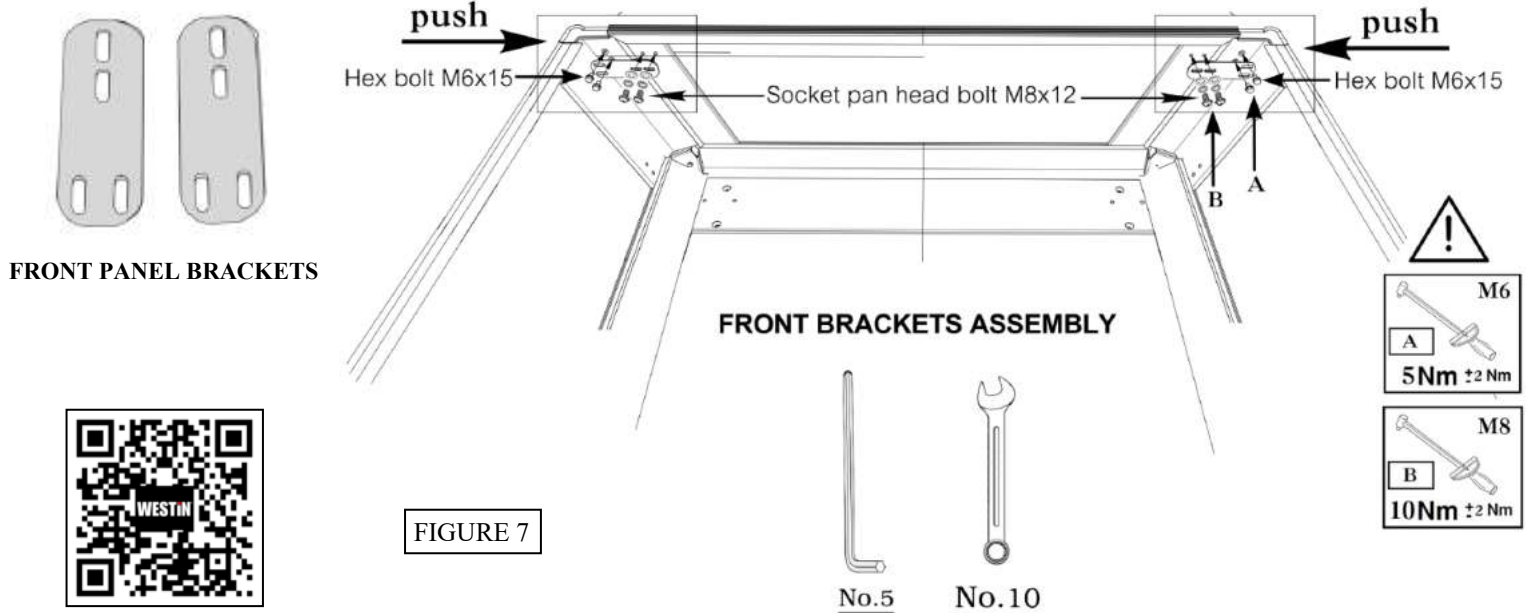
FIGURE 6



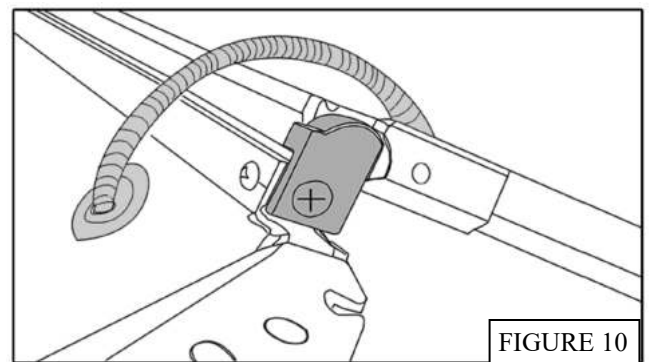
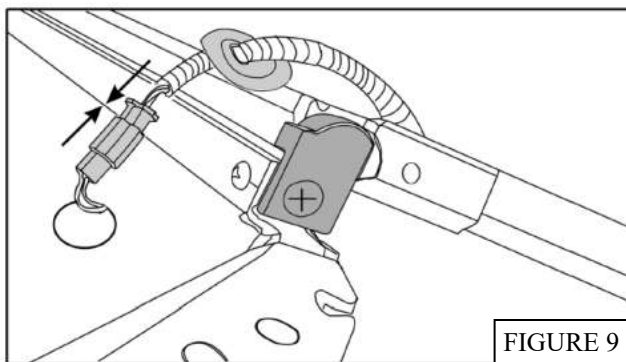
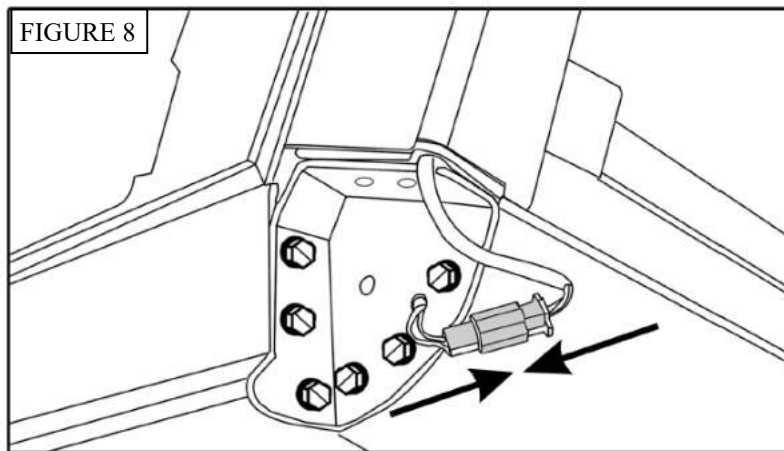
Westin Automotive Products, Inc.
320 W. Covina Blvd
San Dimas, Ca. 91773

Thank you for choosing Westin products
for additional installation assistance please call
Customer Service (800) 793-7846
www.westinautomotive.com

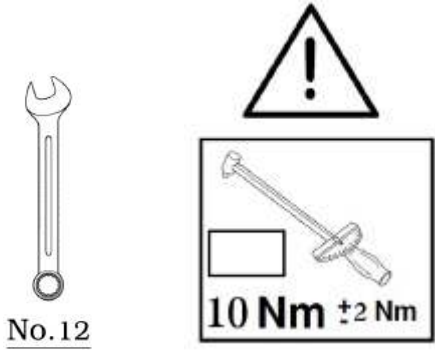
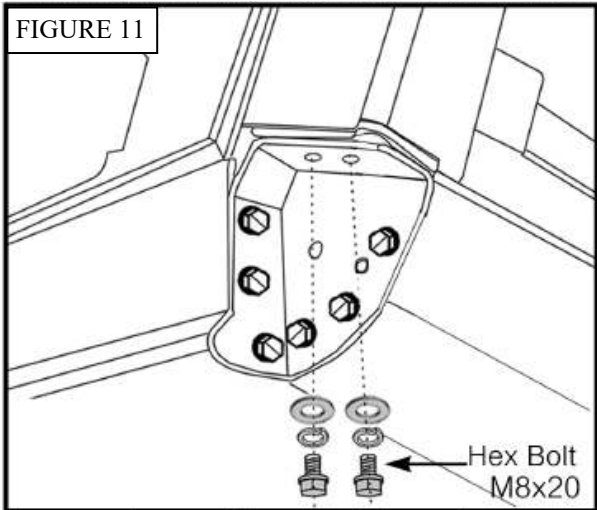
8. Push the left panel inwards towards the front panel. Using a front panel bracket, two (2) M8 x 12 socket pan head bolts, two (2) M8 split washers, two (2) M8 flat washers, two (2) M6 x 15 hex bolts, two (2) M6 split washers, and two (2) M6 flat washers provided in **Parts Kit #1 (Item 6)**, fasten the left panel to the front panel. Use a 5mm Allen Key and 10mm socket to initially tighten the bolts, then use a torque wrench to torque the M8 bolts to **10Nm (8ft-lbs)** and the M6 bolts to **5Nm (4 ft-lbs)**. Repeat this process to fasten the right panel to the front panel. (**Fig. 7**)



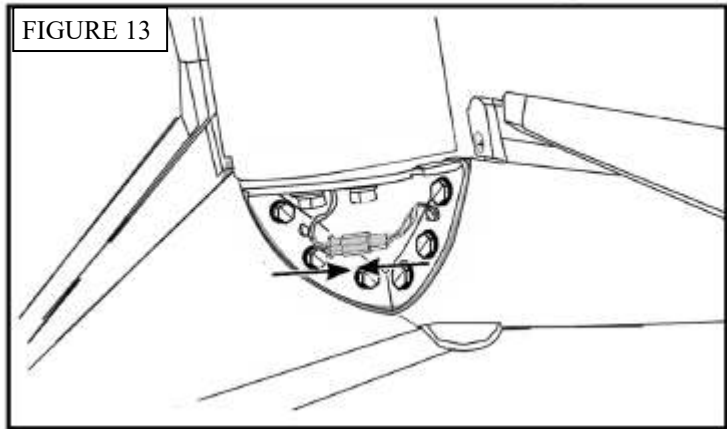
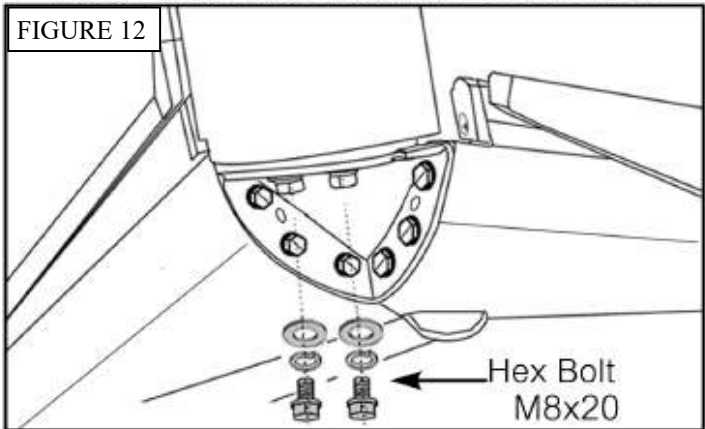
9. Connect the front wire found at the corner of the roof panel and front panel (**Fig. 8**). Then connect the rear wire (**Fig. 9**) and tuck the connectors into the roof panel. (**Fig. 10**)



10. Next, use two (2) M8 x 20 hex bolts, two (2) M8 split washers, and two (2) M8 flat washers to fasten the front panel to the roof panel at one corner. Use a 12mm socket to initially tighten the bolts, then torque the bolts to **10Nm (8ft-lbs)**. Repeat this process for the other corner where the roof panel and front panel meet. **(Fig. 11)**

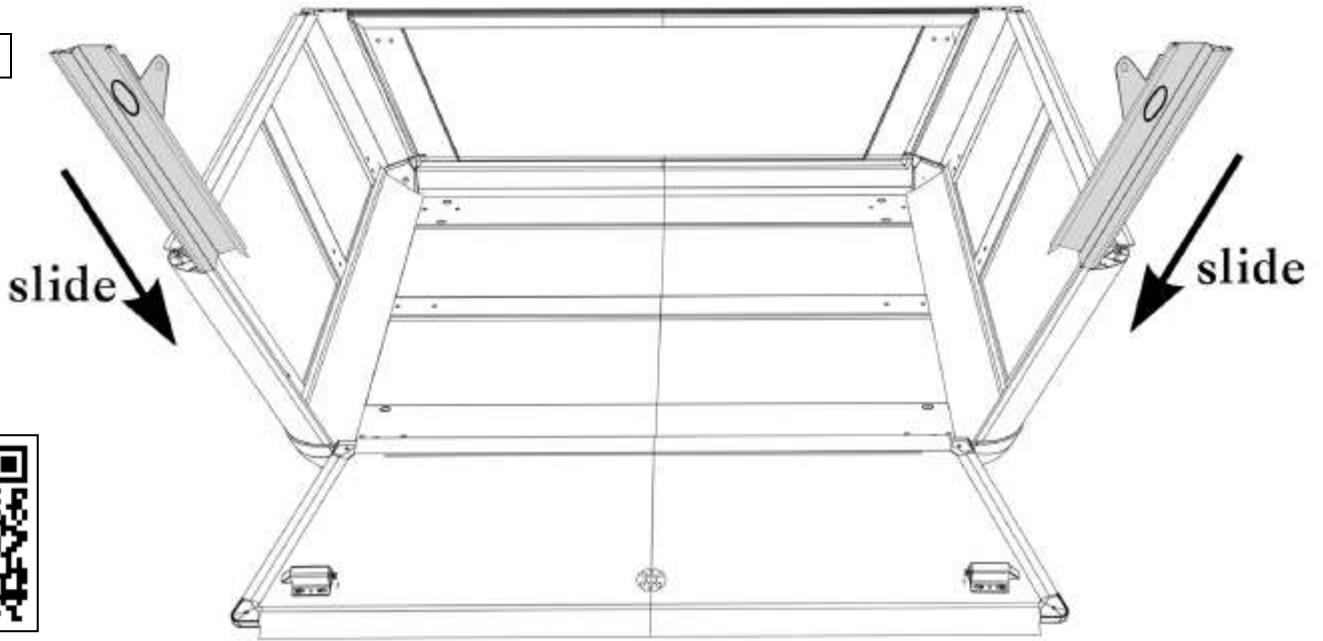


11. Repeat Step 10 for both corners where the roof panel and rear door meet. Use the same kind of hardware as in the previous step **(Fig. 12)**. Connect the roof panel wire to the rear door connector as shown below. **(Fig. 13)**



12. Slide the water channels downwards on the left and rear panels toward the rear door (Fig. 14). The water channels are found in **Parts Kit #3 (Item 8)**.

FIGURE 14



13. An inside corner of the rear door and side panel is shown below. Using the contents of **Parts Kit #3 (Item 8)** and a 12mm socket, fasten two (2) M8 x 20 hex bolts through the water channel bracket and into the side panel, torque to **10Nm (8ft-lbs)**. (Fig. 15) Next, use two (2) #6 x 3/8 pan head tapping screws and fasten the water channels to the side panels. (Fig. 16) Repeat this step for the other side of the topper.

FIGURE 15

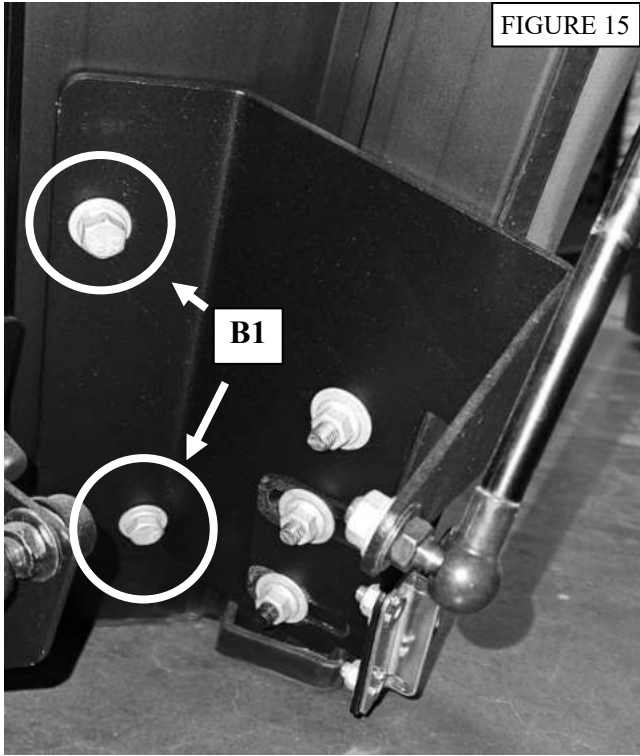
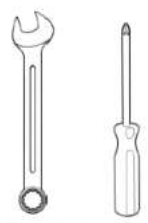


FIGURE 16



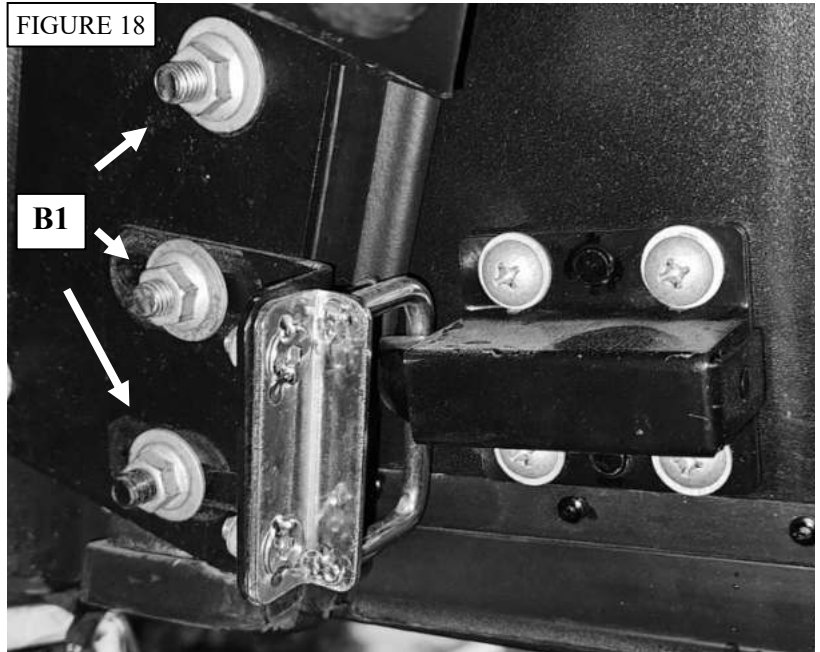
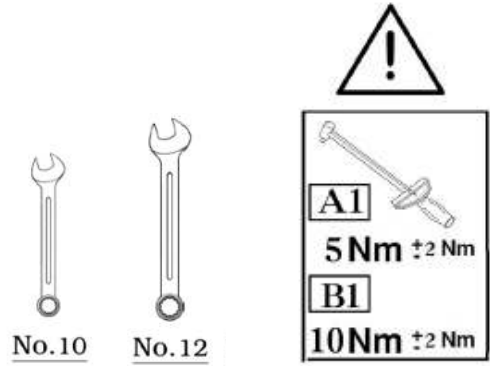
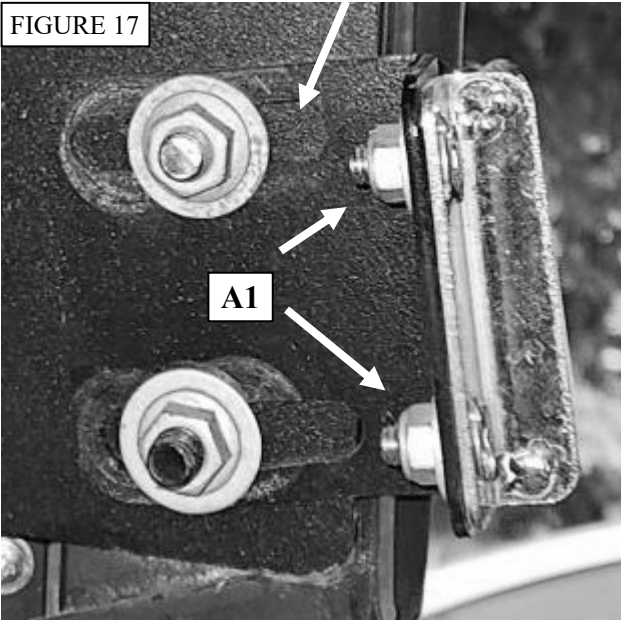
A1	
5 Nm ±2 Nm	
B1	
10Nm ±2 Nm	



No. 12

14. Torque the nuts on the door latch to **5Nm (4ft-lbs)** using a 10mm socket. There are slots on the door latch bracket that allow for the latch to be adjusted so the rear door can close correctly. (**Fig 17**) Once the rear door is shut and the door latch is adjusted properly, torque the bolts in **Fig. 18** to **10Nm (8ft-lbs)**.

SLOTS FOR ADJUSTABILITY



15. Next, clean the surface of the perimeter of the corner where the roof panel and left panel meet. Locate the silicone corner covers in **Parts Kit #1 (Item 6)** and remove the tape over the adhesive on the covers. While tucking the wires inwards into the roof panel, firmly press the cover over the corner (**Fig. 19**). Fasten the corner cover to the topper assembly using one (1) M6 x 10 pan head bolt and one (1) M6 flat washer also found in the same parts kit. The hardware fastens from the inside of the topper assembly. Repeat this step for installing the corner cover on the other side where the right panel meets the roof panel. (**Fig. 20**)

FIGURE 19

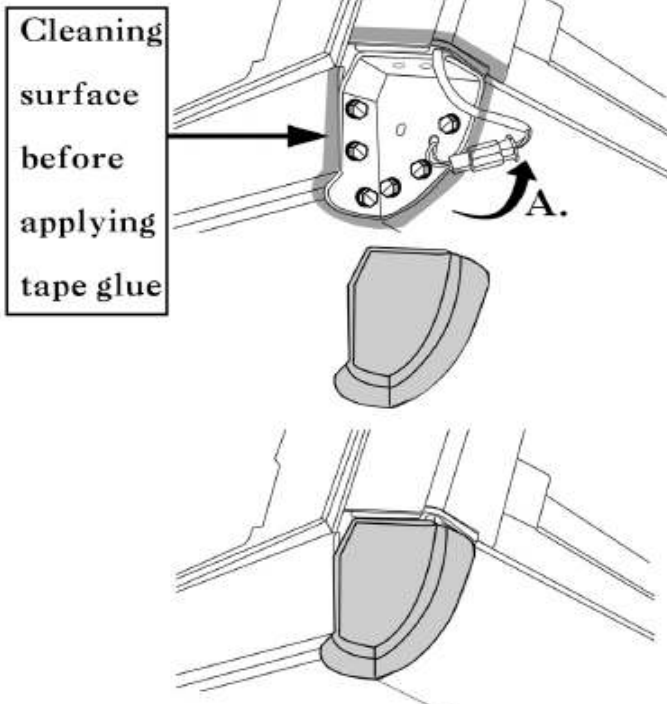
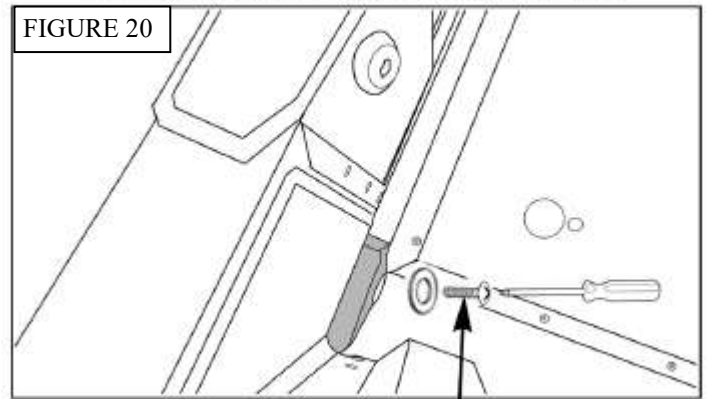


FIGURE 20

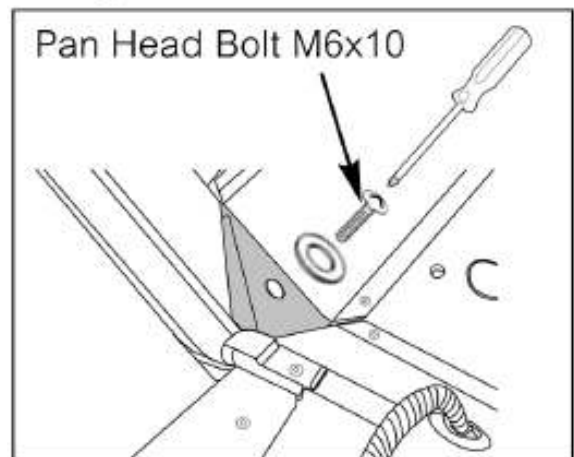
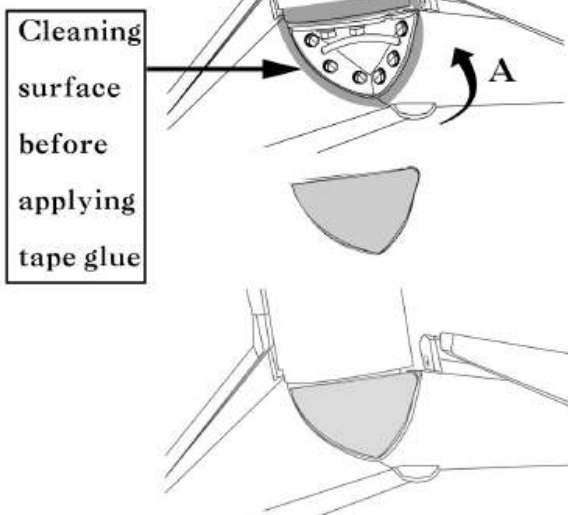


Pan Head Bolt M6x10



16. Repeat the process in Step 14 to install the corner covers on the rear corners of the topper assembly. (**Fig. 21**)

FIGURE 21



Westin Automotive Products, Inc.
320 W. Covina Blvd
San Dimas, Ca. 91773

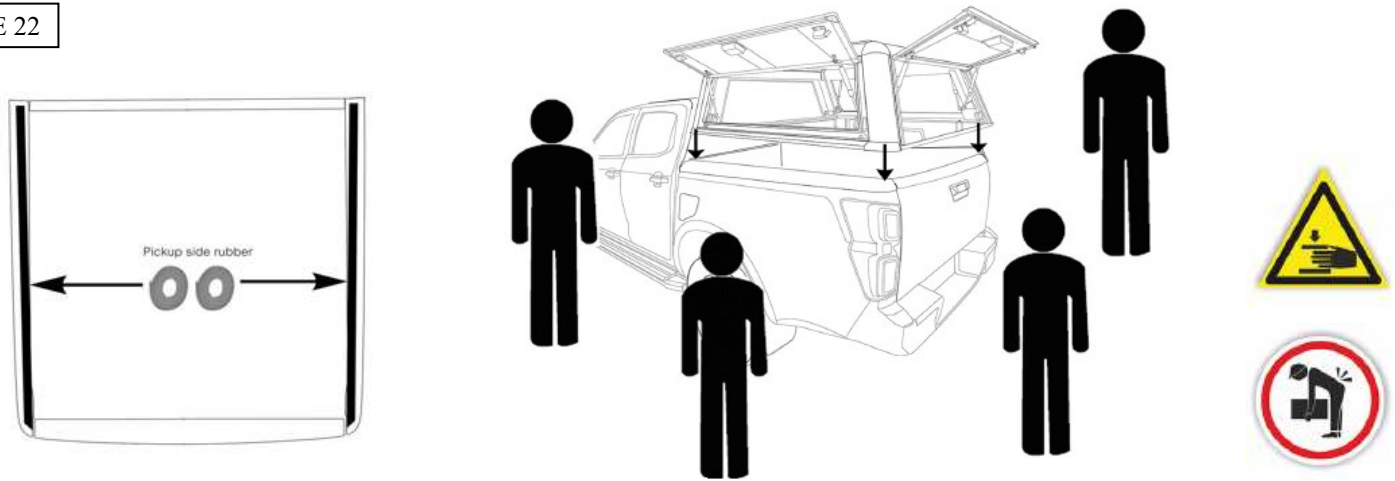
Thank you for choosing Westin products
for additional installation assistance please call
Customer Service (800) 793-7846

www.westinautomotive.com

DATE: 2/6/24

17. Apply the bed rail rubber strips from **Parts Kit #3 (Item 8)**, to the truck bed. Open the left, right, and rear panels before placing the topper onto the truck bed. A minimum of four people are recommended for this installation. Make sure to avoid dragging the topper across the truck bed rails. Handle with caution to avoid injury to hands and damage to the topper assembly and vehicle. (**Fig. 22**)

FIGURE 22



18. Locate the contents found in **Parts Kit #2 (Item 7)** and correctly place each labeled clamp on both bed rails (**Fig. 23**). Use a 13mm socket to initially tighten the clamps, then torque to **18Nm (14ft-lbs)**. The tightened clamp should resemble (**Fig. 24**). Use the rubber clamp covers on all six (6) clamps. (**Fig. 25**)

FIGURE 23

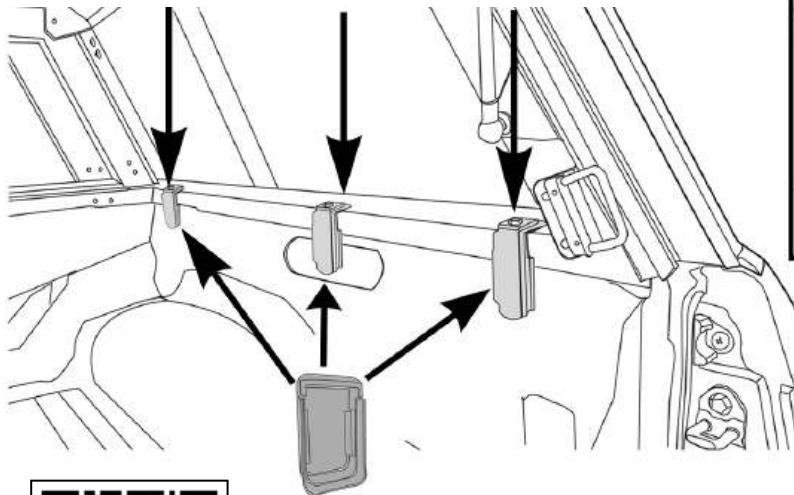
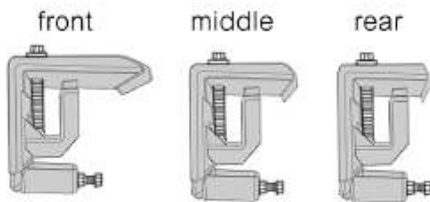
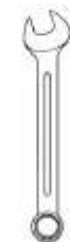
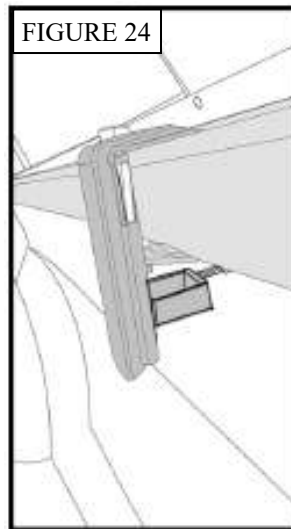


FIGURE 24



No. 13

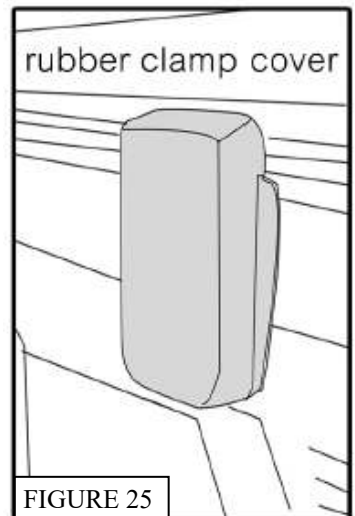
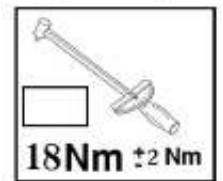


FIGURE 25

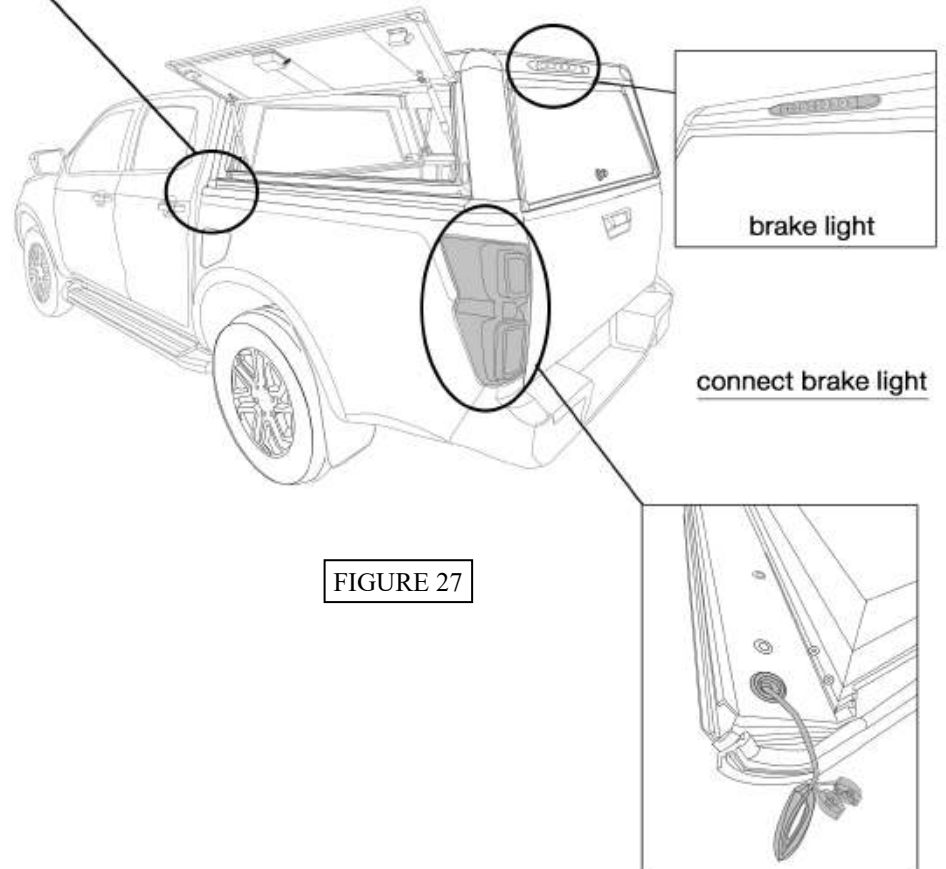
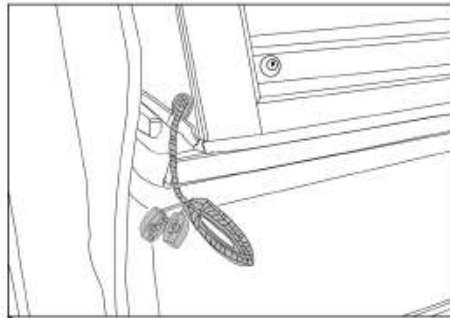
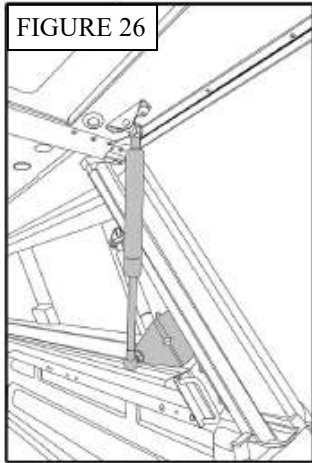


19. Use the nuts already installed on the end of the gas studs to secure the studs to the rear door using a 12mm socket. (Fig. 26)

20. Connect the wiring harness at the rear of the topper to connect the vehicle's brake lights to the brake light on the topper. Next, connect the harness at the front of topper to the vehicle's door locking harness and tuck the connector into the topper using the provided rubber grommet. (Fig. 27) Finally, test that the brake light on the topper and the topper locking harness function properly.

An auxiliary light and key set are include in the topper packaging.

The installation of your Westin Automotive Bed Topper is complete!





WARNING



Failure to follow these instructions could lead to death, personal injury, and / or property damage.

Failure to follow these instructions could lead to death, personal injury, and / or property damage.

FASTENERS:

All Westin supplied fasteners must be utilized and installed in accordance with the installation instructions and apply torque to the specifications as defined. **DOUBLE CHECK ALL FASTENERS BEFORE INITIAL USE, AND PERIODICALLY IN THE FUTURE TO ENSURE PROPER FUNCTION AND SAFETY.**

DRILLING:

Most Westin products do not require drilling for installation. If drilling is defined as required, use caution when drilling a vehicle. **FAILURE TO REVIEW AN AREA TO BE DRILLED MAY RESULT IN PERSONAL INJURY AND/OR INJURY TO OTHERS AS WELL AS VEHICLE DAMAGE.**

EYE PROTECTION:

ALWAYS WEAR SAFETY GLASSES OR GOGGLES DURING THE INSTALLATION PROCESS TO AVOID PERSONAL INJURY.

MAXIMUM TOWING/CARRYING CAPACITY: (if applicable)

The Westin Receiver Hitches will have a visible tow rating label affixed directly on the product. User should never exceed the vehicle manufacturers maximum tow and weight rating regardless of the capacity of the hitch. **FAILURE TO FOLLOW THESE GUIDELINES WILL VOID THE WESTIN WARRANTY AND MAY RESULT IN PERSONAL INJURY AND/OR INJURY TO OTHERS AS WELL AS VEHICLE DAMAGE.**

FOR CALIFORNIA RESIDENTS ONLY-PROP 65 WARNING:

Some products may contain chemicals such as DEHP, which can cause cancer, birth defects or other reproductive harm. For more info go to www.p65warnings.ca.gov



Westin Automotive Products, Inc.
320 W. Covina Blvd
San Dimas, Ca. 91773