

# INSTALLATION INSTRUCTIONS

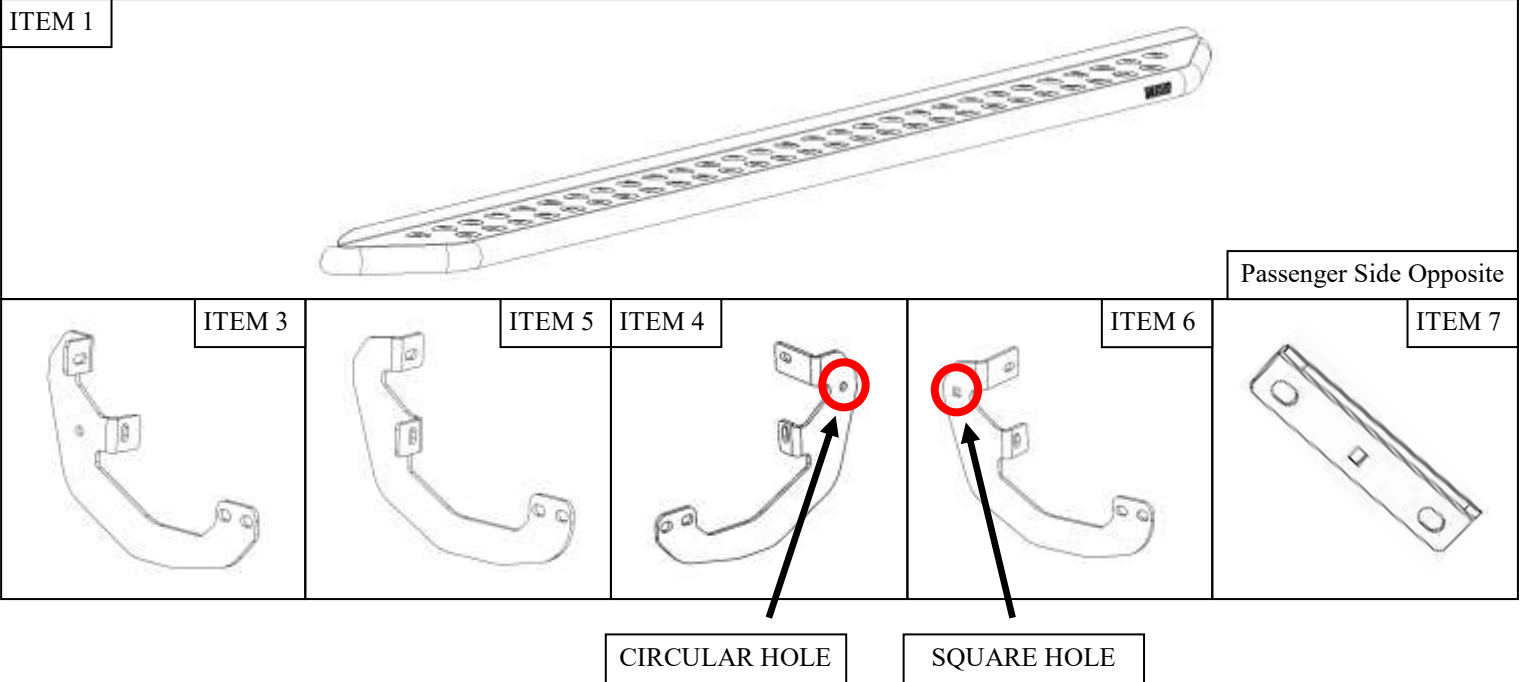
## OUTLAW RUNNING BOARDS



**APPLICATION:**  
 2015-2024 Ford F-150 SuperCrew; 2017-2024 Ford F-250/350 SuperCrew  
**PART NUMBER:**  
 28-31095  
 28-31095RK

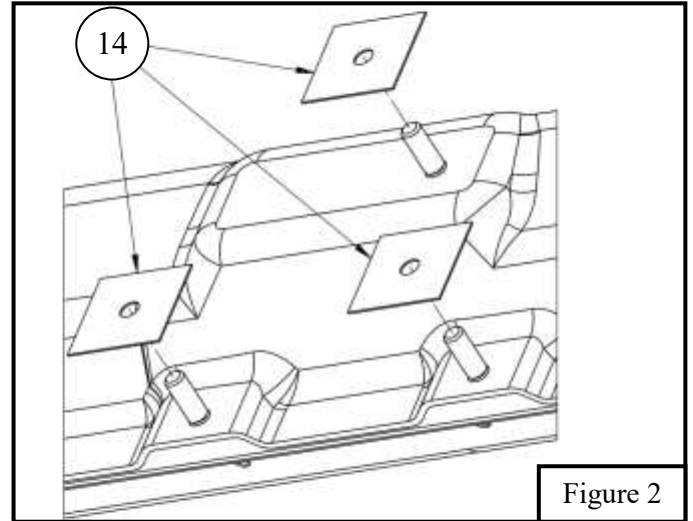
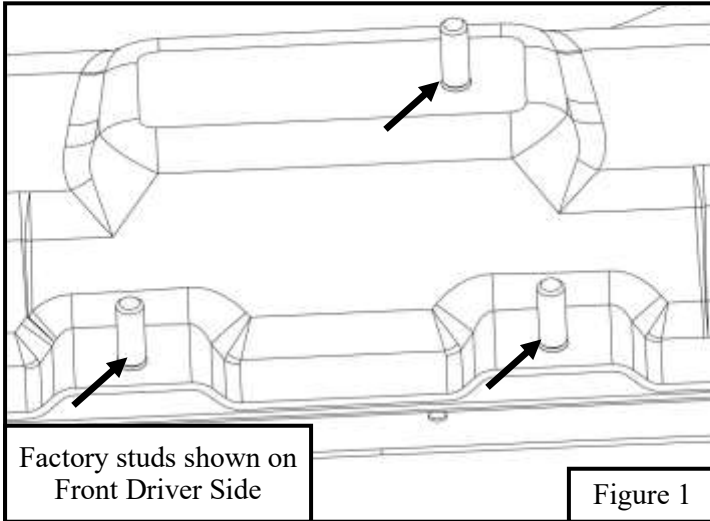
CONTENT			
ITEM	QUANTITY	DESCRIPTION	TOOLS NEEDED
1	1	DRIVER SIDE RUNNING BOARD	13MM SOCKET
2	1	PASSENGER SIDE RUNNING BOARD	13MM WRENCH
3	1	DRIVER SIDE FRONT MOUNTING BRACKET	16MM SOCKET
4	1	PASSENGER SIDE FRONT MOUNTING BRACKET	16MM WRENCH
5	2	DRIVER SIDE CENTER/REAR MOUNTING BRACKET	RATCHET
6	2	PASSENGER SIDE CENTER/REAR MOUNTING BRACKET	TORQUE WRENCH
7	6	MOUNTING BRACKET C	
8	24	M8 SPLIT LOCK WASHER	
9	24	M8 FLAT WASHER	
10	24	M8 HEX NUT	
11	6	M8 SQUARE NECK BOLT	
12	12	M10 SERRATED FLANGE HEX HEAD BOLT	
13	12	M10 SERRATED FLANGE NUT	
14	18	M8 PLASTIC RETAINER SQUARES	

**ANTI-SEIZE LUBRICANT MUST BE USED ON ALL STAINLESS STEEL FASTENERS TO PREVENT THREAD DAMAGE AND GALLING**

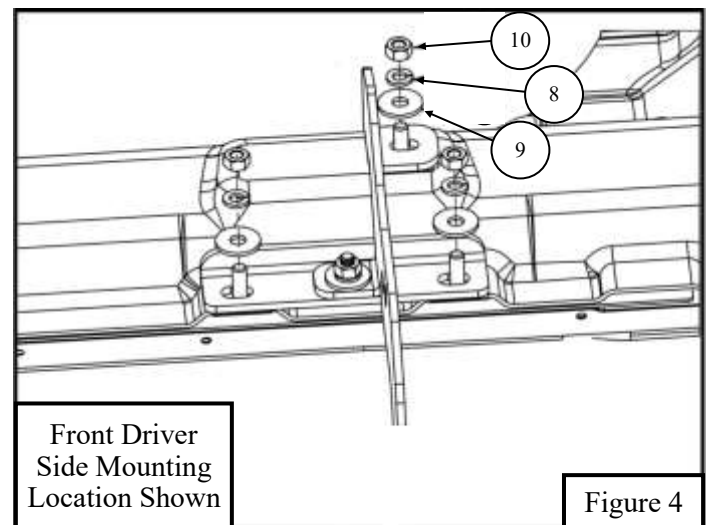
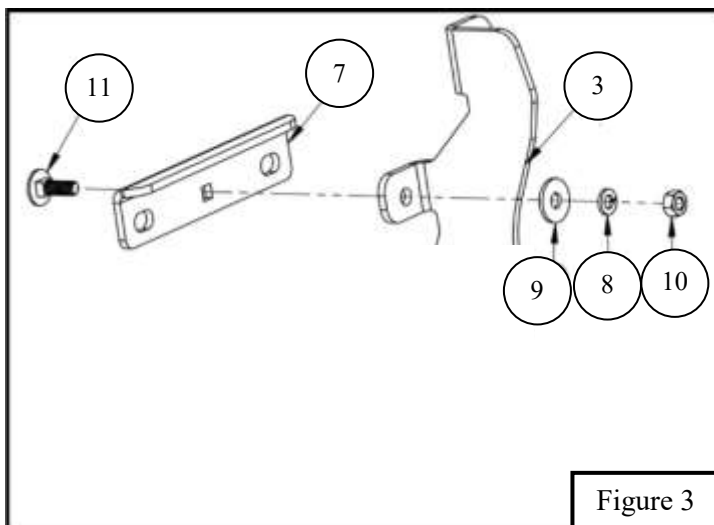


## PROCEDURE

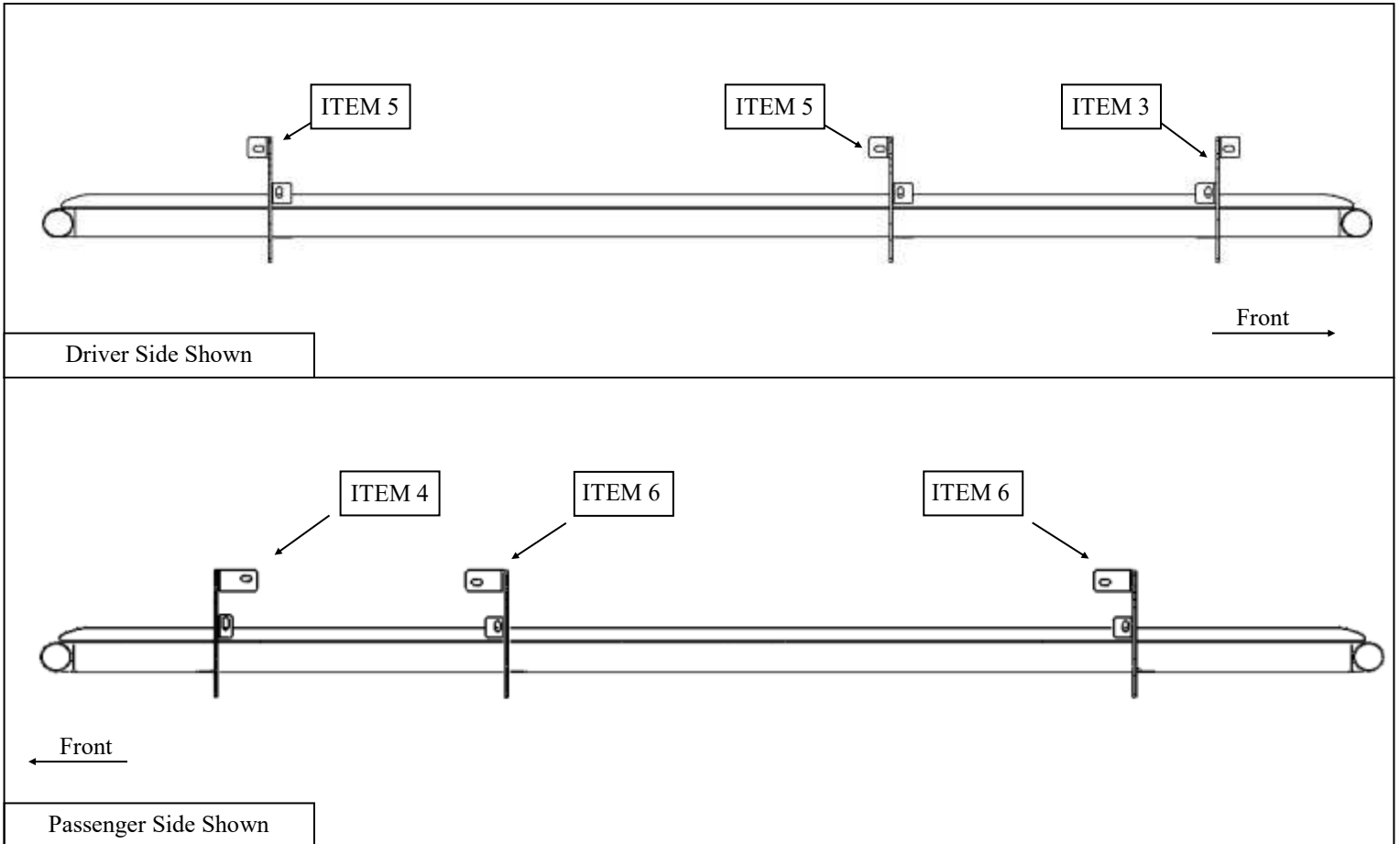
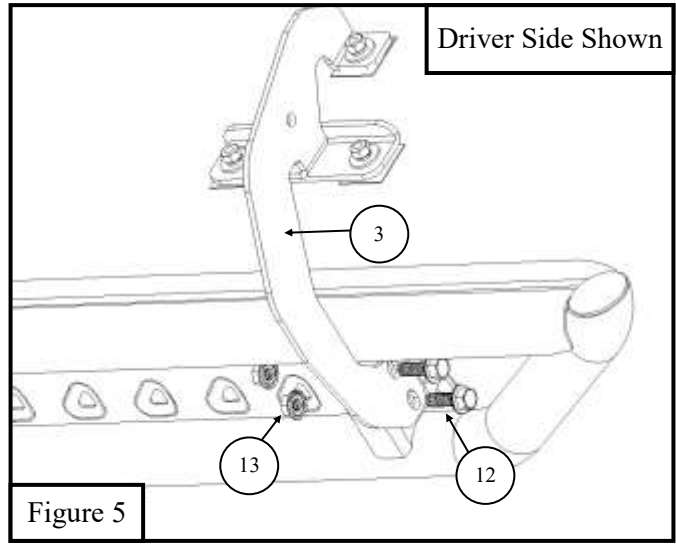
1. Remove contents from box, verify if all parts listed are present and free from damage.  
Carefully read and understand all instructions before attempting installation.  
**Failure to identify damage before installation could lead to a rejection of any claim.**
2. Start the installation on driver's side. On the rocker panel, find the locations of the factory studs. In each location, there should be 3 studs. See **Figure 1** for reference.
3. Insert (1) M8 Plastic Retainer (Item 14) on each factory stud. See **Figure 2** for reference.



4. Insert the M8 round head square neck bolt (Item 11) through the Mounting Bracket C (Item 7) square hole. Then insert the M8 round head square neck bolt through mounting brackets (Item 3-6) bottom circular hole. Loosely secure the hardware with (1) M8 hex nut, (1) M8 split lock washer, and (1) M8 flat washer. See **Figure 3** for reference.
5. Align sub-assembly with the 3 factory studs. Lower 2 factory studs will align with Mounting Bracket C and top factory stud will align with mounting brackets. Loosely secure sub-assembly with (3) M8 hex nut, (3) M8 split lock washer, and (3) M8 flat washer. See **Figure 4** for reference. **Note:** See page 3 for bracket orientations and mounting locations.
6. Repeat **steps 3 through 5** for every mounting location.



7. For installation of the Outlaw Running Boards, use the supplied M10 hardware to loosely secure the running boards to the preinstalled brackets. See **Figure 5** for reference. *Note: All mounting locations mount similarly.*
8. Align and adjust the running boards and mounting brackets as needed. Fully tighten and torque all hardware as specified: M8 to 18 ft-lbs, M10 to 38 ft-lbs.



**INSTALLATION COMPLETE**



**CARE INSTRUCTIONS**

- REGULAR WAXING IS RECOMMENDED. DO NOT USE ANY TYPE OF POLISH OR WAX THAT MAY CONTAIN ABRASIVES.
- STAINLESS STEEL PRODUCTS CAN BE CLEANED WITH MILD SOAP AND WATER. STAINLESS STEEL POLISH SHOULD BE USED TO POLISH SMALL SCRATCHES.
- GLOSS BLACK FINISHES SHOULD BE CLEANED WITH MILD SOAP AND WATER

**WESTIN** Westin Automotive Products, Inc.  
320 W. Covina Blvd  
San Dimas, Ca. 91773

Thank you for choosing Westin products  
for additional installation assistance please call  
Customer Service (800) 793-7846  
[www.westinautomotive.com](http://www.westinautomotive.com)



## WARNING



Failure to follow these instructions could lead to death, personal injury, and / or property damage.

Failure to follow these instructions could lead to death, personal injury, and / or property damage.

### FASTENERS:

All Westin supplied fasteners must be utilized and installed in accordance with the installation instructions and apply torque to the specifications as defined. **DOUBLE CHECK ALL FASTENERS BEFORE INITIAL USE, AND PERIODICALLY IN THE FUTURE TO ENSURE PROPER FUNCTION AND SAFETY.**

### DRILLING:

Most Westin products do not require drilling for installation. If drilling is defined as required, use caution when drilling a vehicle. **FAILURE TO REVIEW AN AREA TO BE DRILLED MAY RESULT IN PERSONAL INJURY AND/OR INJURY TO OTHERS AS WELL AS VEHICLE DAMAGE.**

### EYE PROTECTION:

**ALWAYS WEAR SAFETY GLASSES OR GOGGLES DURING THE INSTALLATION PROCESS TO AVOID PERSONAL INJURY.**

### MAXIMUM TOWING/CARRYING CAPACITY: (if applicable)

The Westin Receiver Hitches will have a visible tow rating label affixed directly on the product. User should never exceed the vehicle manufacturers maximum tow and weight rating regardless of the capacity of the hitch. **FAILURE TO FOLLOW THESE GUIDELINES WILL VOID THE WESTIN WARRANTY AND MAY RESULT IN PERSONAL INJURY AND/OR INJURY TO OTHERS AS WELL AS VEHICLE DAMAGE.**

### FOR CALIFORNIA RESIDENTS ONLY-PROP 65 WARNING:

Some products may contain chemicals such as DEHP, which can cause cancer, birth defects or other reproductive harm. For more info go to [www.p65warnings.ca.gov](http://www.p65warnings.ca.gov)



Westin Automotive Products, Inc.  
320 W. Covina Blvd  
San Dimas, Ca. 91773