



# INSTALLATION INSTRUCTIONS

## OVERLAND CARGO RACK: RAIL KIT

**APPLICATION:**

2005-2024 Toyota Tacoma

2020-2024 Jeep Gladiator

**PART NUMBER:**

51-30005: Overland Rail Kit 45"

51-30015: Overland Rail Kit 57"

**Kit Number (Gladiator): 51-10005****Kit Number (Tacoma 5 ft. Bed): 51-50015****Kit Number (Tacoma 6 ft. Bed): 51-50025**

### CONTENT

**RAIL KIT PARTS: ITEMS 1-5 (45" Rail Kit: 51-30005, 57" Rail Kit: 51-30015)**

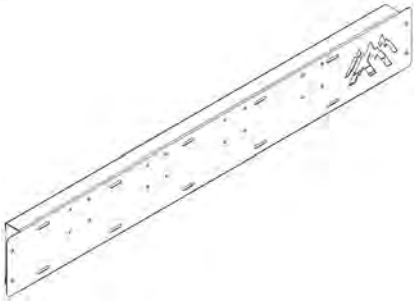
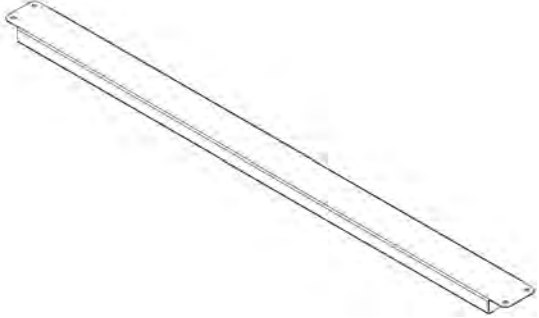
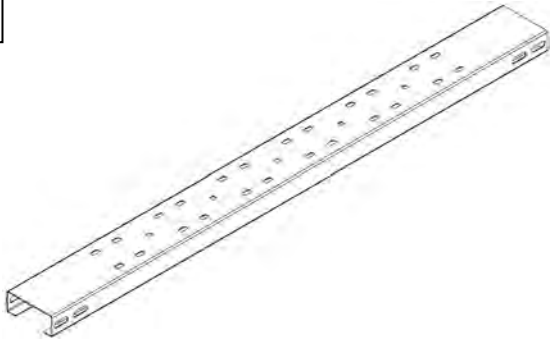
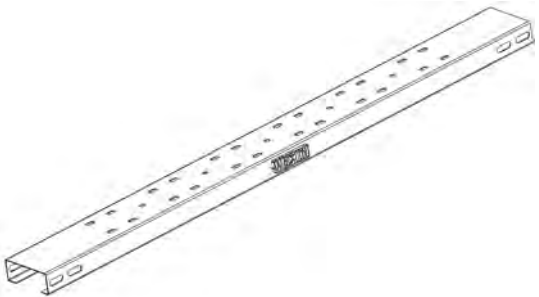
	QUANTITY	DESCRIPTION	TOOLS NEEDED
1	1	DRIVER SIDE BAR	13MM SOCKET
2	1	PASSENGER SIDE BAR	13MM WRENCH
3	2	TOP SUPPORT BAR	ALLEN
4	1	FRONT SPANNER BAR	RATCHET
5	1	REAR SPANNER BAR	TORQUE WRENCH

**BASE KIT PARTS: ITEMS 6-17 (INCLUDED SEPARATELY)**




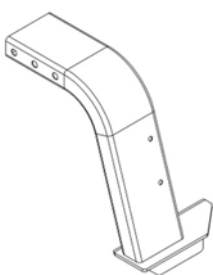

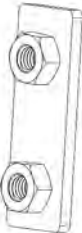
6	1	FRONT DRIVER UPRIGHT	
7	1	FRONT PASSENGER UPRIGHT	
8	1	REAR DRIVER UPRIGHT	
9	1	REAR PASSENGER UPRIGHT	
10	8	M8 BOLT PLATE	
11	8	M10 DOUBLE NUT PLATE	
12	16	M10 BUTTON HEAD BOLT	
13	16	M10 FLAT WASHER	
14	16	M8 BUTTON HEAD BOLT	
15	16	M8 FLAT WASHER	
16	16	M8 SERRATED FLANGE NUT	
17	8	M8 PLASTIC SQUARE RETAINER	

**ANTI-SEIZE LUBRICANT MUST BE USED ON ALL STAINLESS STEEL FASTENERS TO PREVENT THREAD DAMAGE AND GALLING**Westin Automotive Products, Inc.  
320 W. Covina Blvd  
San Dimas, Ca. 91773Thank you for choosing Westin products  
for additional installation assistance please call  
Customer Service (800) 793-7846  
[www.westinautomotive.com](http://www.westinautomotive.com)

Short Rail Kit shown, Long Rail Kit similar

ITEM 1	Passenger Side Opposite		ITEM 3
			
ITEM 4			ITEM 5
			

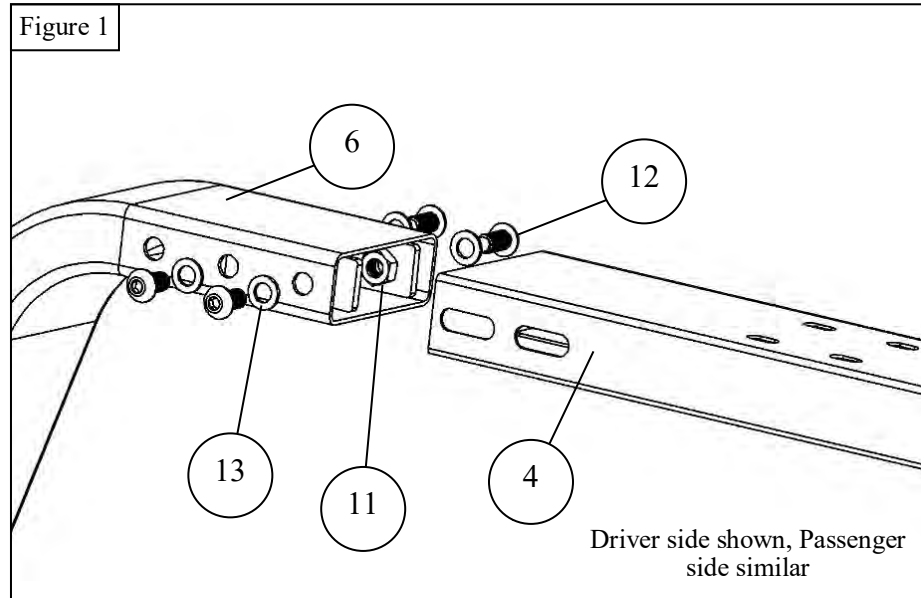
Base Kit items shown, included separately

ITEM 6	ITEM 7	ITEM 8	ITEM 9	ITEM 10	ITEM 11
					

**PROCEDURE**

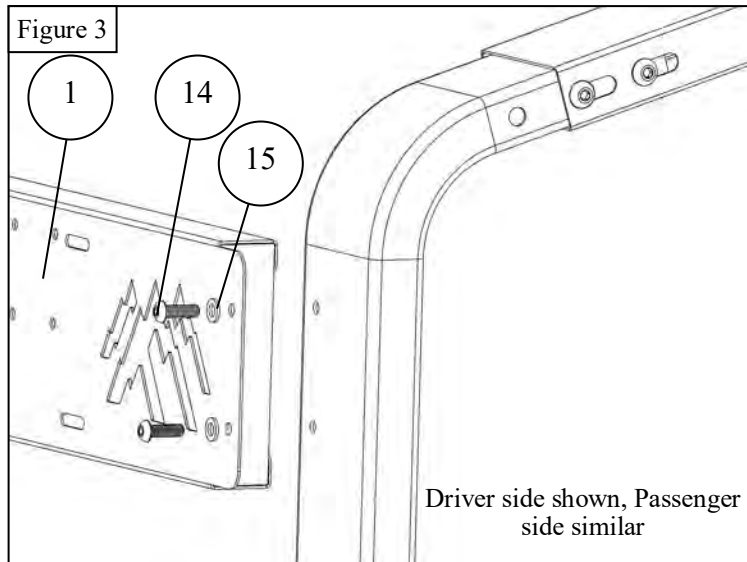
1. Remove contents from box, verify if all parts listed are present and free from damage. Carefully read and understand all instructions before attempting installation.  
**Failure to identify damage before installation could lead to a rejection of any claim.**

2. Locate the Front Driver Upright (**item 6**), Front Passenger Upright (**item 7**), and the Front Spanner Bar (**item 4**). Using the M10 hardware (**items 11-13**), loosely assemble the front portion of the rack. See **Figure 1**.

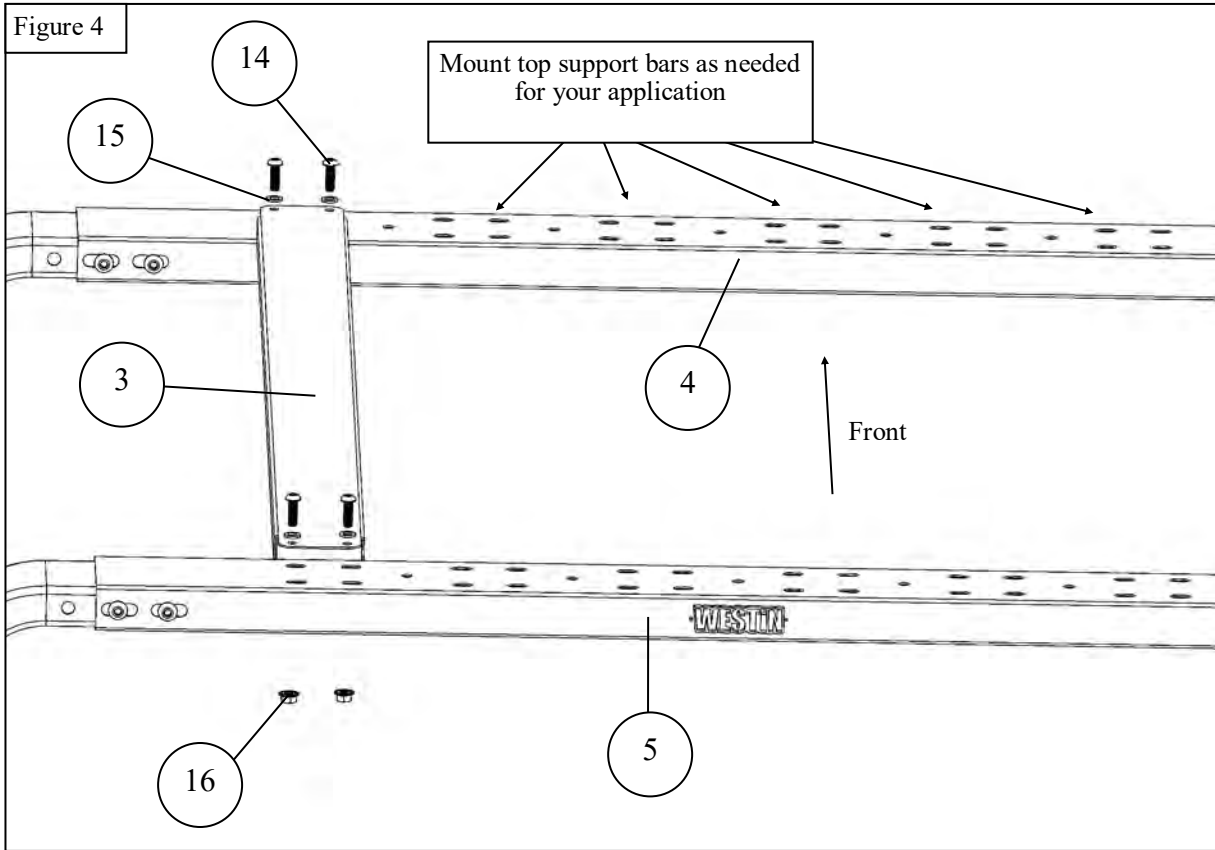


3. Locate the Rear Driver Upright (**item 8**), Rear Passenger Upright (**item 9**), and the Rear Spanner Bar (**item 5**). Using the M10 hardware (**items 11-13**), loosely assemble the rear portion of the rack. Assembly is similar to the assembly of the front portion of the rack. The logo on the Rear Spanner Bar will face backwards. See **Figure 1**.

4. Using M8 hardware (**items 14 and 15**), loosely assemble the driver and passenger side bars on to the rack assembly. See **Figure 3**.



5. Using the M8 hardware (items 14-16), mount the Top Support Bars to the rack assembly.  
*Note: The top support bars can be aligned as needed for your application. See Figure 4.*



6. Align rack as necessary and torque hardware as specified: M8 to 15-18 ft-lbs, M10 to 35-40 ft-lbs.  
*Note: The Overland Cargo Rack is designed to hold specific aftermarket accessories for the off road enthusiast, including roof top tents. Please see manufacture's installation instructions for mounting other accessories.*

INSTALLATION COMPLETE



Tacoma Short Bed Rail Kit Shown

CARE INSTRUCTIONS

- REGULAR WAXING IS RECOMMENDED. DO NOT USE ANY TYPE OF POLISH OR WAX THAT MAY CONTAIN ABRASIVES.
- STAINLESS STEEL PRODUCTS CAN BE CLEANED WITH MILD SOAP AND WATER. STAINLESS STEEL POLISH SHOULD BE USED TO POLISH SMALL SCRATCHES.
- GLOSS BLACK FINISHES SHOULD BE CLEANED WITH MILD SOAP AND WATER.

**WESTIN**

Westin Automotive Products, Inc.  
320 W. Covina Blvd  
San Dimas, Ca. 91773

Thank you for choosing Westin products  
for additional installation assistance please call  
Customer Service (800) 793-7846  
[www.westinautomotive.com](http://www.westinautomotive.com)



## WARNING



Failure to follow these instructions could lead to death, personal injury, and / or property damage.

Failure to follow these instructions could lead to death, personal injury, and / or property damage.

### FASTENERS:

All Westin supplied fasteners must be utilized and installed in accordance with the installation instructions and apply torque to the specifications as defined. **DOUBLE CHECK ALL FASTENERS BEFORE INITIAL USE, AND PERIODICALLY IN THE FUTURE TO ENSURE PROPER FUNCTION AND SAFETY.**

### DRILLING:

Most Westin products do not require drilling for installation. If drilling is defined as required, use caution when drilling a vehicle. **FAILURE TO REVIEW AN AREA TO BE DRILLED MAY RESULT IN PERSONAL INJURY AND/OR INJURY TO OTHERS AS WELL AS VEHICLE DAMAGE.**

### EYE PROTECTION:

**ALWAYS WEAR SAFETY GLASSES OR GOGGLES DURING THE INSTALLATION PROCESS TO AVOID PERSONAL INJURY.**

### MAXIMUM TOWING/CARRYING CAPACITY: (if applicable)

The Westin Receiver Hitches will have a visible tow rating label affixed directly on the product. User should never exceed the vehicle manufacturers maximum tow and weight rating regardless of the capacity of the hitch. **FAILURE TO FOLLOW THESE GUIDELINES WILL VOID THE WESTIN WARRANTY AND MAY RESULT IN PERSONAL INJURY AND/OR INJURY TO OTHERS AS WELL AS VEHICLE DAMAGE.**

### FOR CALIFORNIA RESIDENTS ONLY-PROP 65 WARNING:

Some products may contain chemicals such as DEHP, which can cause cancer, birth defects or other reproductive harm. For more info go to [www.p65warnings.ca.gov](http://www.p65warnings.ca.gov)



Westin Automotive Products, Inc.  
320 W. Covina Blvd  
San Dimas, Ca. 91773

Thank you for choosing Westin products  
for additional installation assistance please call  
Customer Service (800) 793-7846  
[www.westinautomotive.com](http://www.westinautomotive.com)