

INSTALLATION INSTRUCTIONS

HDX RUNNING BOARD

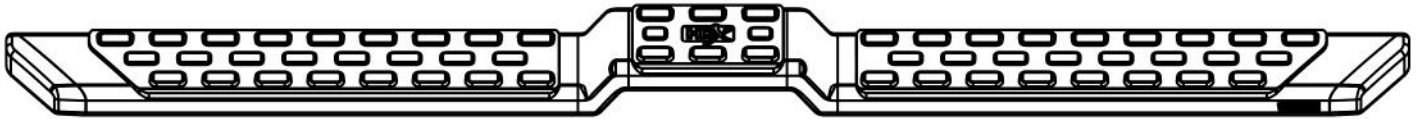


APPLICATION:
RAM 1500 CREW CAB 2009-2024 (EXCL. 2019+ 1500 CLASSIC)
PART NUMBER:
55-34085

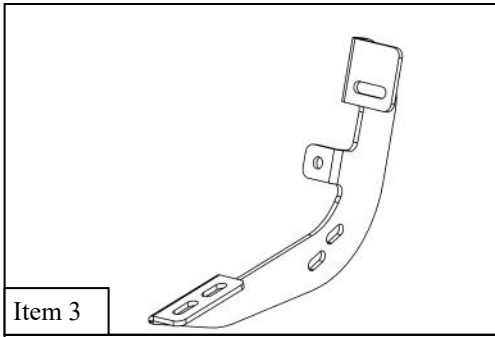
CONTENT

ITEM	QUANTITY	DESCRIPTION	TOOLS NEEDED
1	1	DRIVER STEP BAR ASSEMBLY 84"	13MM SOCKET
2	1	PASSENGER STEP BAR ASSEMBLY 84"	13MM WRENCH
3	3	MOUNTING BRACKET "A"	15MM SOCKET
4	1	MOUNTING BRACKET "B"	15MM WRENCH
5	2	MIDDLE MOUNTING BRACKET	RATCHET
6	6	PLATE ADAPTOR	TORQUE WRENCH
7	6	MOUNTING BRACKET "C"	
8	2	SMALL BRACKET COVER	
9	4	LARGE BRACKET COVER	
10	24	M8 HEX NUT (YELLOW ZINC)	
11	24	M8 FLAT WASHER (YELLOW ZINC)	
12	24	M8 SPLIT LOCK WASHER (YELLOW ZINC)	
13	6	M8 CARRIAGE BOLT (YELLOW ZINC)	
14	12	M6 HEX HEAD SCREW (YELLOW ZINC)	
15	24	M6 FLAT WASHER (YELLOW ZINC)	
16	12	M6 NYLON LOCK NUT (BLACK ZINC)	
17	12	M8 FLAT WASHER (BLACK ZINC)	
18	12	M8 HEX NUT (BLACK ZINC)	
19	18	PLASTIC RETAINER SQUARE	

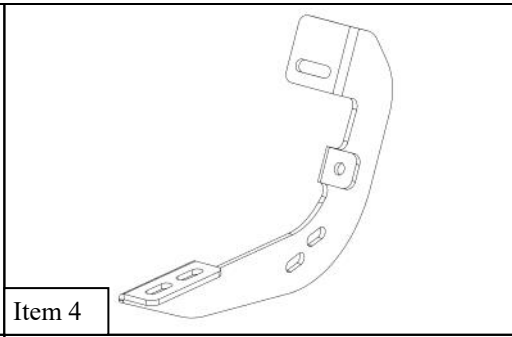
ANTI-SEIZE LUBRICANT MUST BE USED ON ALL STAINLESS STEEL FASTENERS TO PREVENT THREAD DAMAGE AND GALLING



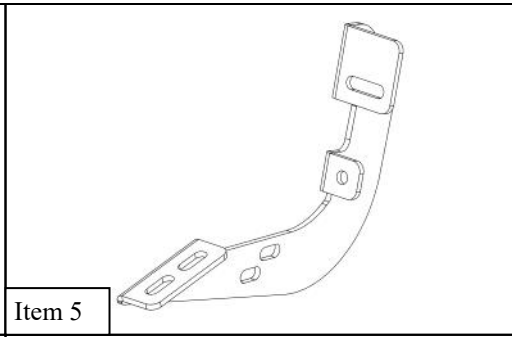
Item 1



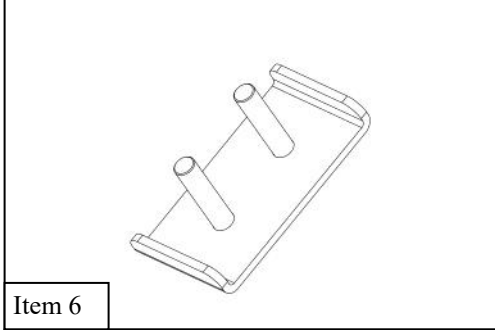
Item 3



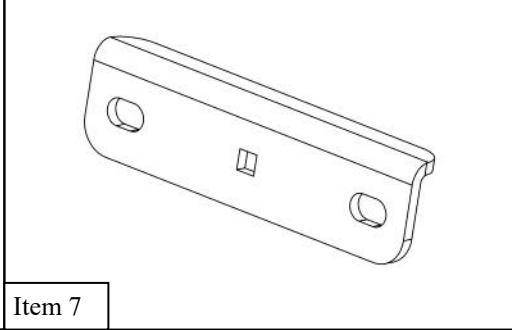
Item 4



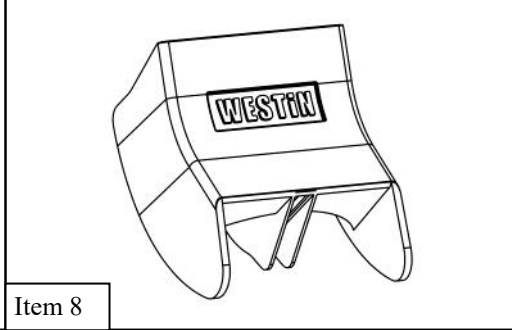
Item 5



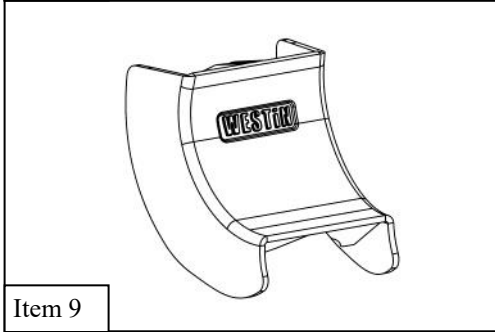
Item 6



Item 7



Item 8



Item 9

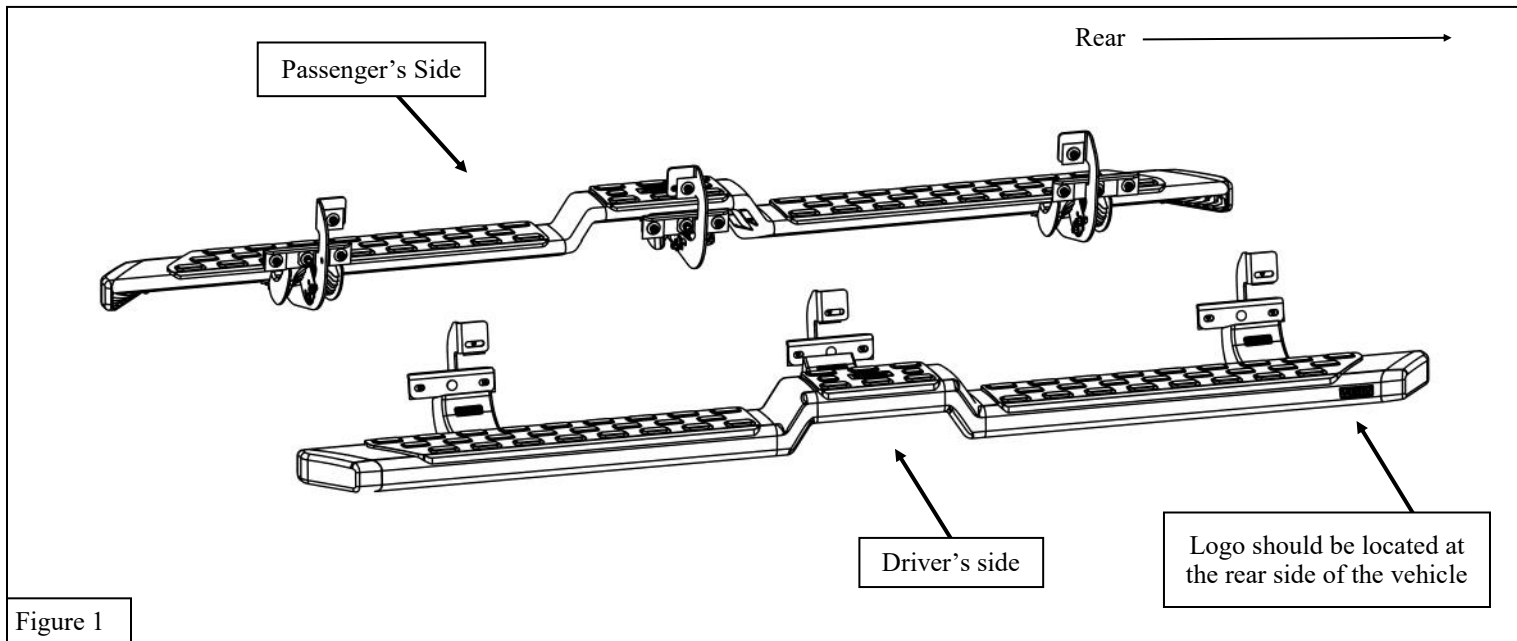
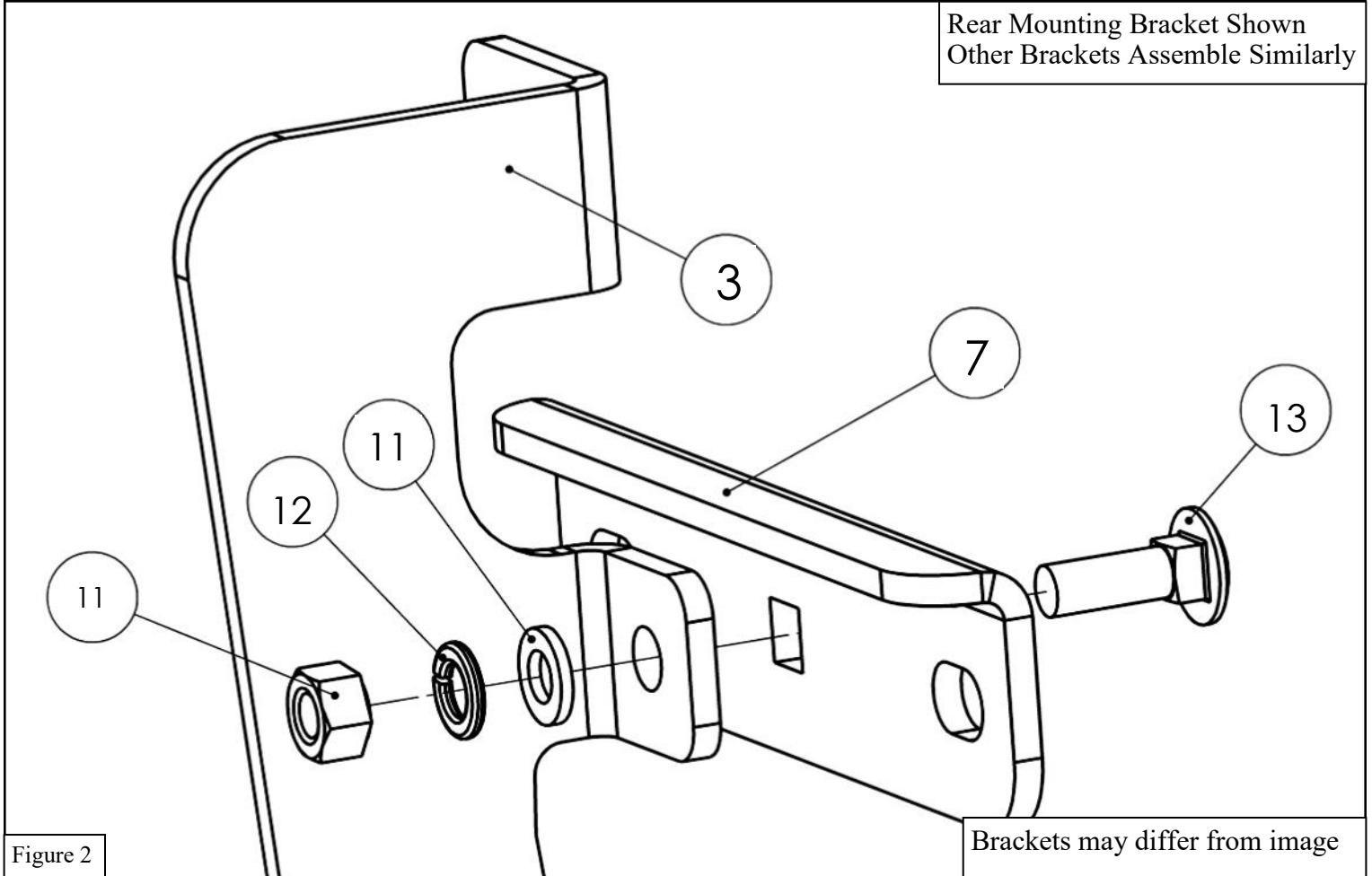


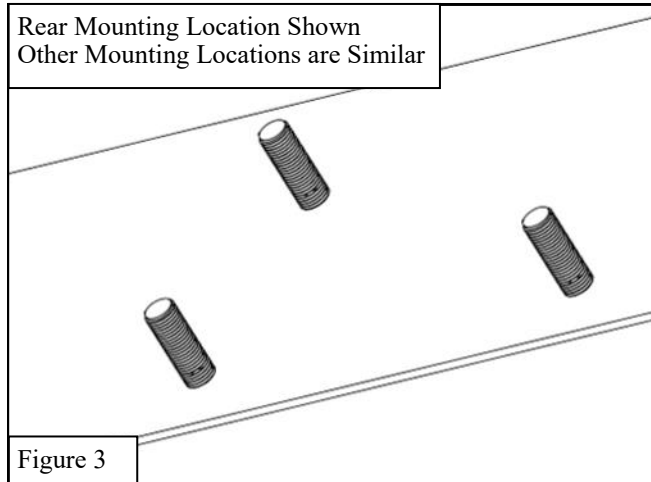
Figure 1

PROCEDURE

1. Remove contents from box, verify if all parts listed are present and free from damage.
Carefully read and understand all instructions before attempting installation.
Failure to identify damage before installation could lead to a rejection of any claim.
2. Preassemble the Mounting Brackets (Items 3-5). Do not tighten at this time. See **Figure 2**.

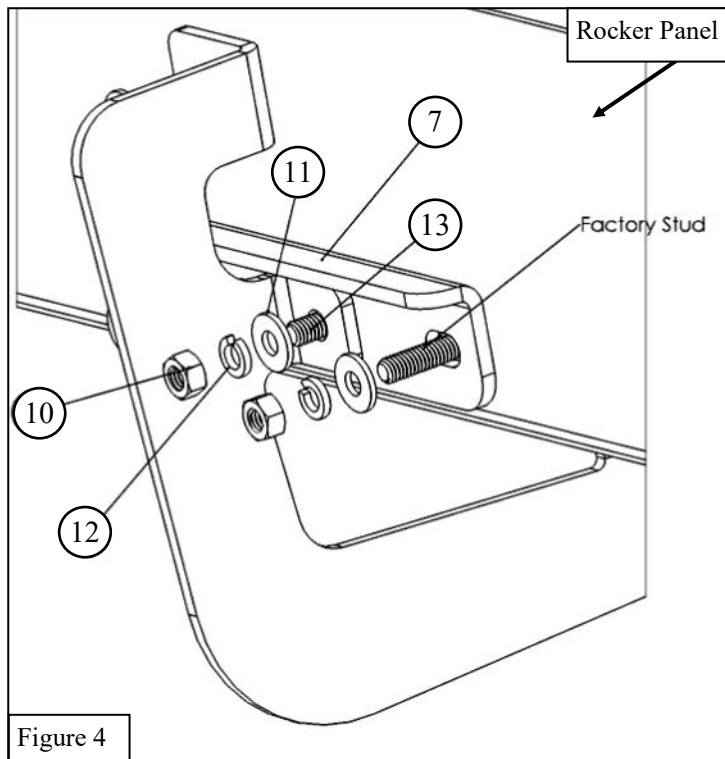


3. Locate the 3 mounting locations on the rocker panel and insert the square plastic retainers (Item 19). See **Figure 3**



4. At the rear mounting locations, loosely install Mounting Bracket 'A' with preassembled Mounting Bracket 'C' (Item 7) using the supplied M8 hardware (Items 10-12). See **Figures 4 & 5**.
5. At the center mounting locations, loosely install Middle Mount Bracket (Item 5) with preassembled Mounting Bracket 'C' (Item 7) using the supplied M8 hardware (Items 10-12). See **Figure 4 & 5**.
6. At the front passenger mounting location, loosely install Mounting Bracket 'A' (Item 3) with preassembled Mounting bracket 'C' (Item 7).

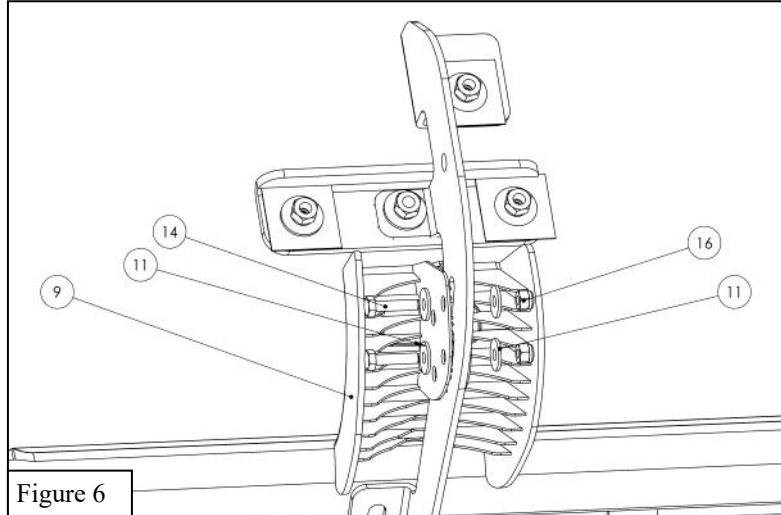
Note: Installation is similar to Rear Mounting Bracket



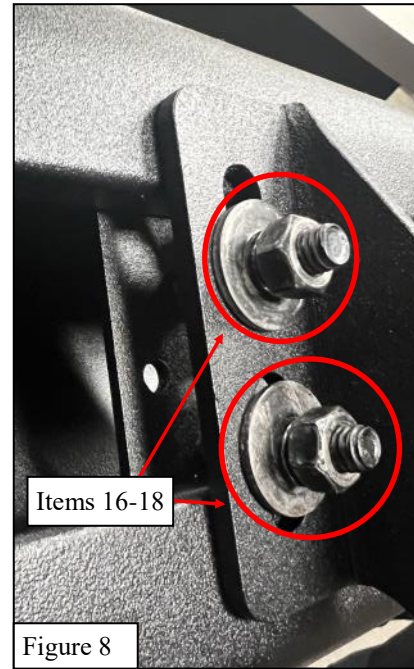
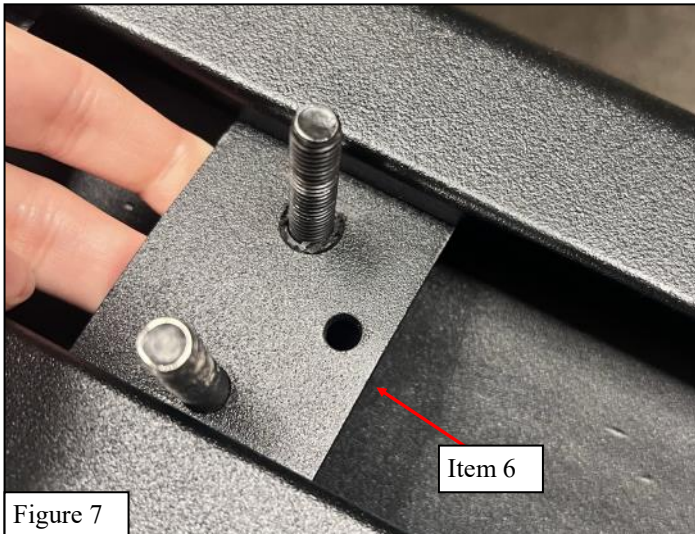
- At the front driver mounting location, loosely install Mounting Bracket 'B' (Item 4) with preassembled Mounting bracket 'C' (Item 7) using M8 hardware (Items 10-12) See **Figure 4 & 5**

Note: Installation is similar to Rear Mounting Bracket

- Attach 4 large bracket covers (Item 9) on the front and rear brackets using the M6 hex head cap screws (Items 14-16). See **Figure 6**.
- Attach 2 small bracket covers (Item 8) on the center mounting brackets using the M6 hex head cap screws (Items 14-16). See **Figure 6**.



- Insert the plate adapters (Item 6) into board assemblies (Item 1 & 2) by first putting them in parallel to the board, then turning them 90 degrees to be perpendicular to the board. (Make sure the plate hooks onto the bottom of the board, and the screws are facing outwards. See **Figure 7**).
- Mount the step board assemblies (Item 1 & 2) to the previously installed brackets using the M8 hardware (Items 16-18) See **Figure 8**.
- Align step bar and brackets to desired positioning then torque and tighten all: M10 to 35ft-lbs, M8 hardware to 20ft-lbs, and M6 hardware to 8.5 ft-lbs.



INSTALLATION COMPLETE



CARE INSTRUCTIONS

- REGULAR WAXING IS RECOMMENDED. DO NOT USE ANY TYPE OF POLISH OR WAX THAT MAY CONTAIN ABRASIVES.
- STAINLESS STEEL PRODUCTS CAN BE CLEANED WITH MILD SOAP AND WATER. STAINLESS STEEL POLISH SHOULD BE USED TO POLISH SMALL SCRATCHES.
- GLOSS BLACK FINISHES SHOULD BE CLEANED WITH MILD SOAP AND WATER.

WESTIN Westin Automotive Products, Inc.
320 W. Covina Blvd
San Dimas, Ca. 91773

Thank you for choosing Westin products
for additional installation assistance please call
Customer Service (800) 793-7846
www.westinautomotive.com



WARNING



Failure to follow these instructions could lead to death, personal injury, and / or property damage.

Failure to follow these instructions could lead to death, personal injury, and / or property damage.

FASTENERS:

All Westin supplied fasteners must be utilized and installed in accordance with the installation instructions and apply torque to the specifications as defined. **DOUBLE CHECK ALL FASTENERS BEFORE INITIAL USE, AND PERIODICALLY IN THE FUTURE TO ENSURE PROPER FUNCTION AND SAFETY.**

DRILLING:

Most Westin products do not require drilling for installation. If drilling is defined as required, use caution when drilling a vehicle. **FAILURE TO REVIEW AN AREA TO BE DRILLED MAY RESULT IN PERSONAL INJURY AND/OR INJURY TO OTHERS AS WELL AS VEHICLE DAMAGE.**

EYE PROTECTION:

ALWAYS WEAR SAFETY GLASSES OR GOGGLES DURING THE INSTALLATION PROCESS TO AVOID PERSONAL INJURY.

MAXIMUM TOWING/CARRYING CAPACITY: (if applicable)

The Westin Receiver Hitches will have a visible tow rating label affixed directly on the product. User should never exceed the vehicle manufacturers maximum tow and weight rating regardless of the capacity of the hitch. **FAILURE TO FOLLOW THESE GUIDELINES WILL VOID THE WESTIN WARRANTY AND MAY RESULT IN PERSONAL INJURY AND/OR INJURY TO OTHERS AS WELL AS VEHICLE DAMAGE.**

FOR CALIFORNIA RESIDENTS ONLY-PROP 65 WARNING:

Some products may contain chemicals such as DEHP, which can cause cancer, birth defects or other reproductive harm. For more info go to www.p65warnings.ca.gov



Westin Automotive Products, Inc.
320 W. Covina Blvd
San Dimas, Ca. 91773