

# INSTALLATION INSTRUCTIONS

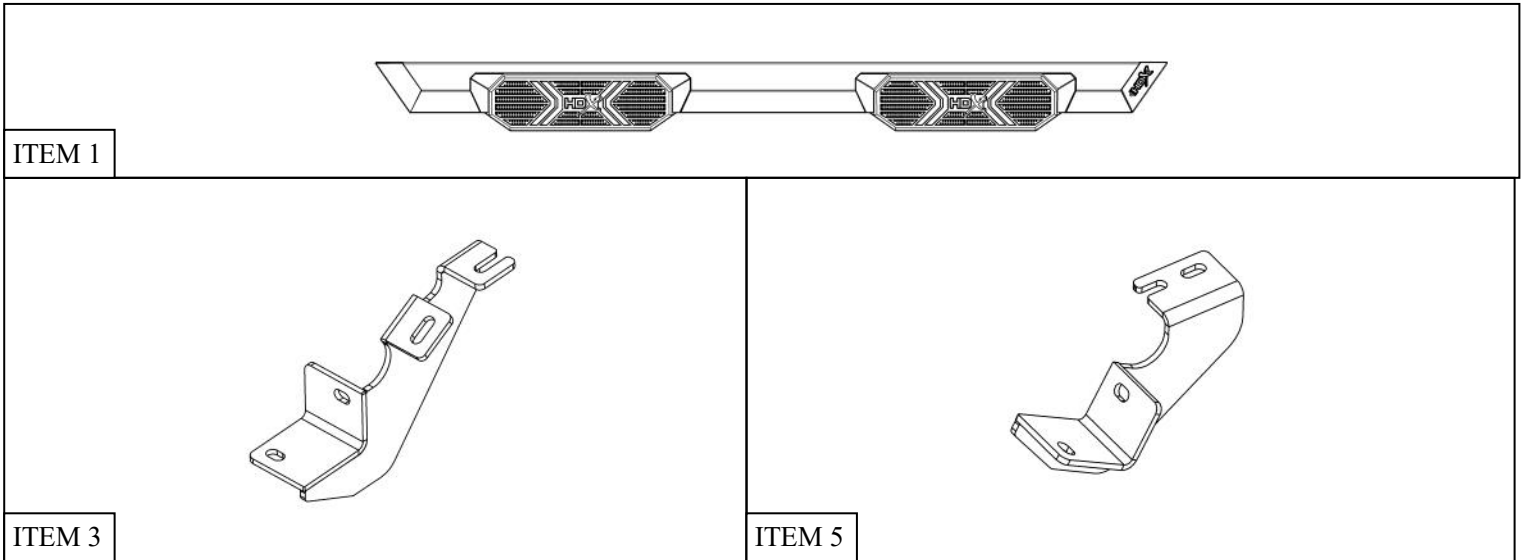
## HDX XTREME NERF BARS



APPLICATION:  
TACOMA DOUBLE CAB 2024  
PART NUMBER:  
56-22785

CONTENT			
ITEM	QUANTITY	DESCRIPTION	TOOLS NEEDED
1	1	DRIVER STEP BAR ASSEMBLY	
2	1	PASSENGER STEP BAR ASSEMBLY	
3	2	DRIVER FRONT MOUNTING BRACKET	
4	2	PASSENGER FRONT MOUNTING BRACKET	
5	2	DRIVER MOUNTING BRACKET "B"	
6	2	PASSENGER MOUNTING BRACKET "B"	
7	24	M8 HEX HEAD CAP SCREW	
8	24	M8 SPLIT LOCK WASHER	
9	24	M8 FLAT WASHER	

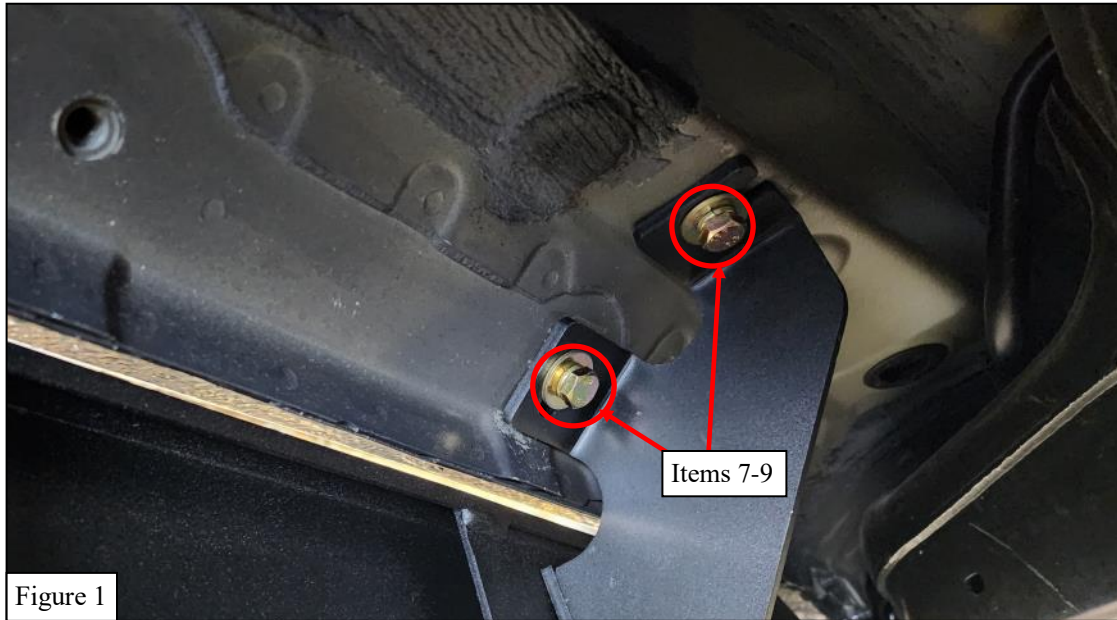
**ANTI-SEIZE LUBRICANT MUST BE USED ON ALL STAINLESS STEEL FASTENERS TO PREVENT THREAD DAMAGE AND GALLING**



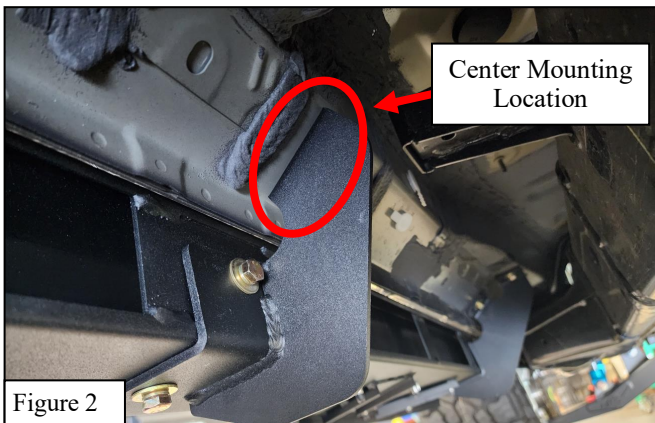
### PROCEDURE

1. Remove contents from box, verify if all parts listed are present and free from damage. Carefully read and understand all instructions before attempting installation.  
**Failure to identify damage before installation could lead to a rejection of any claim.**

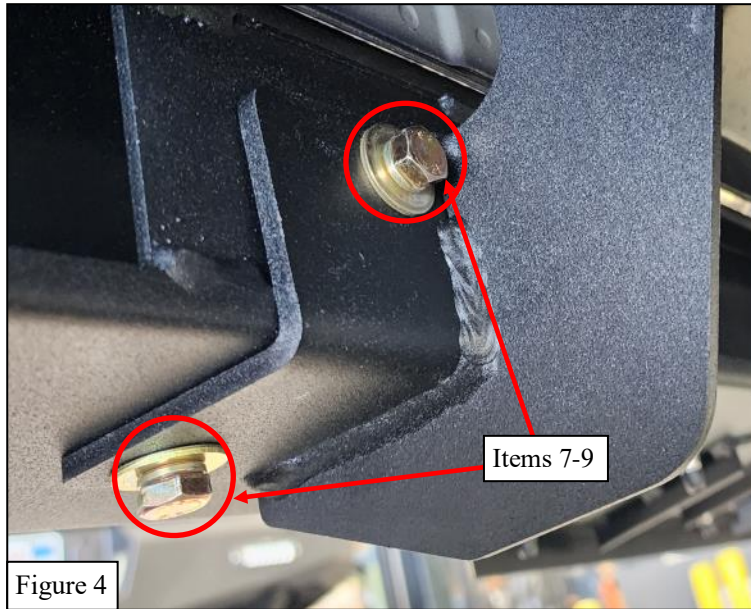
2. Locate the front mounting holes on the driver side of the vehicle and remove the factory bolts.
3. Loosely install the Driver Front Mounting Bracket (**item 3**) using the M8 hardware (**items 7-9**). See **Figure 1**.



4. Remove the factory hardware from the center and rear mounting holes.
5. Loosely install (1) Driver Mounting Bracket “B” (**item 5**) in the center mounting location using the M8 hardware (**items 7-9**). See **Figure 2**.
6. Loosely install (1) Driver Mounting Bracket “B” (**item 5**) in the rear mounting location using the M8 hardware (**items 7-9**). See **Figure 3**.
7. Repeat Steps 2-6 on the passenger side of the vehicle.



8. Loosely install the Step Bar Assemblies (**items 1 and 2**) onto the mounting brackets using the M8 hardware (**items 7-9**). See **Figure 4**.
9. Align and adjust the step bars and brackets as needed.
10. Tighten all M8 hardware to 20ft-lbs.



### INSTALLATION COMPLETE



#### CARE INSTRUCTIONS

- REGULAR WAXING IS RECOMMENDED. DO NOT USE ANY TYPE OF POLISH OR WAX THAT MAY CONTAIN ABRASIVES.
- STAINLESS STEEL PRODUCTS CAN BE CLEANED WITH MILD SOAP AND WATER. STAINLESS STEEL POLISH SHOULD BE USED TO POLISH SMALL SCRATCHES.
- GLOSS BLACK FINISHES SHOULD BE CLEANED WITH MILD SOAP AND WATER.

**WESTIN** Westin Automotive Products, Inc.  
320 W. Covina Blvd  
San Dimas, Ca. 91773

Thank you for choosing Westin products  
for additional installation assistance please call  
Customer Service (800) 793-7846  
[www.westinautomotive.com](http://www.westinautomotive.com)



## WARNING



Failure to follow these instructions could lead to death, personal injury, and / or property damage.

Failure to follow these instructions could lead to death, personal injury, and / or property damage.

### FASTENERS:

All Westin supplied fasteners must be utilized and installed in accordance with the installation instructions and apply torque to the specifications as defined. **DOUBLE CHECK ALL FASTENERS BEFORE INITIAL USE, AND PERIODICALLY IN THE FUTURE TO ENSURE PROPER FUNCTION AND SAFETY.**

### DRILLING:

Most Westin products do not require drilling for installation. If drilling is defined as required, use caution when drilling a vehicle. **FAILURE TO REVIEW AN AREA TO BE DRILLED MAY RESULT IN PERSONAL INJURY AND/OR INJURY TO OTHERS AS WELL AS VEHICLE DAMAGE.**

### EYE PROTECTION:

**ALWAYS WEAR SAFETY GLASSES OR GOGGLES DURING THE INSTALLATION PROCESS TO AVOID PERSONAL INJURY.**

### MAXIMUM TOWING/CARRYING CAPACITY: (if applicable)

The Westin Receiver Hitches will have a visible tow rating label affixed directly on the product. User should never exceed the vehicle manufacturers maximum tow and weight rating regardless of the capacity of the hitch. **FAILURE TO FOLLOW THESE GUIDELINES WILL VOID THE WESTIN WARRANTY AND MAY RESULT IN PERSONAL INJURY AND/OR INJURY TO OTHERS AS WELL AS VEHICLE DAMAGE.**

### FOR CALIFORNIA RESIDENTS ONLY-PROP 65 WARNING:

Some products may contain chemicals such as DEHP, which can cause cancer, birth defects or other reproductive harm. For more info go to [www.p65warnings.ca.gov](http://www.p65warnings.ca.gov)



Westin Automotive Products, Inc.  
320 W. Covina Blvd  
San Dimas, Ca. 91773

Thank you for choosing Westin products  
for additional installation assistance please call  
Customer Service (800) 793-7846  
[www.westinautomotive.com](http://www.westinautomotive.com)