

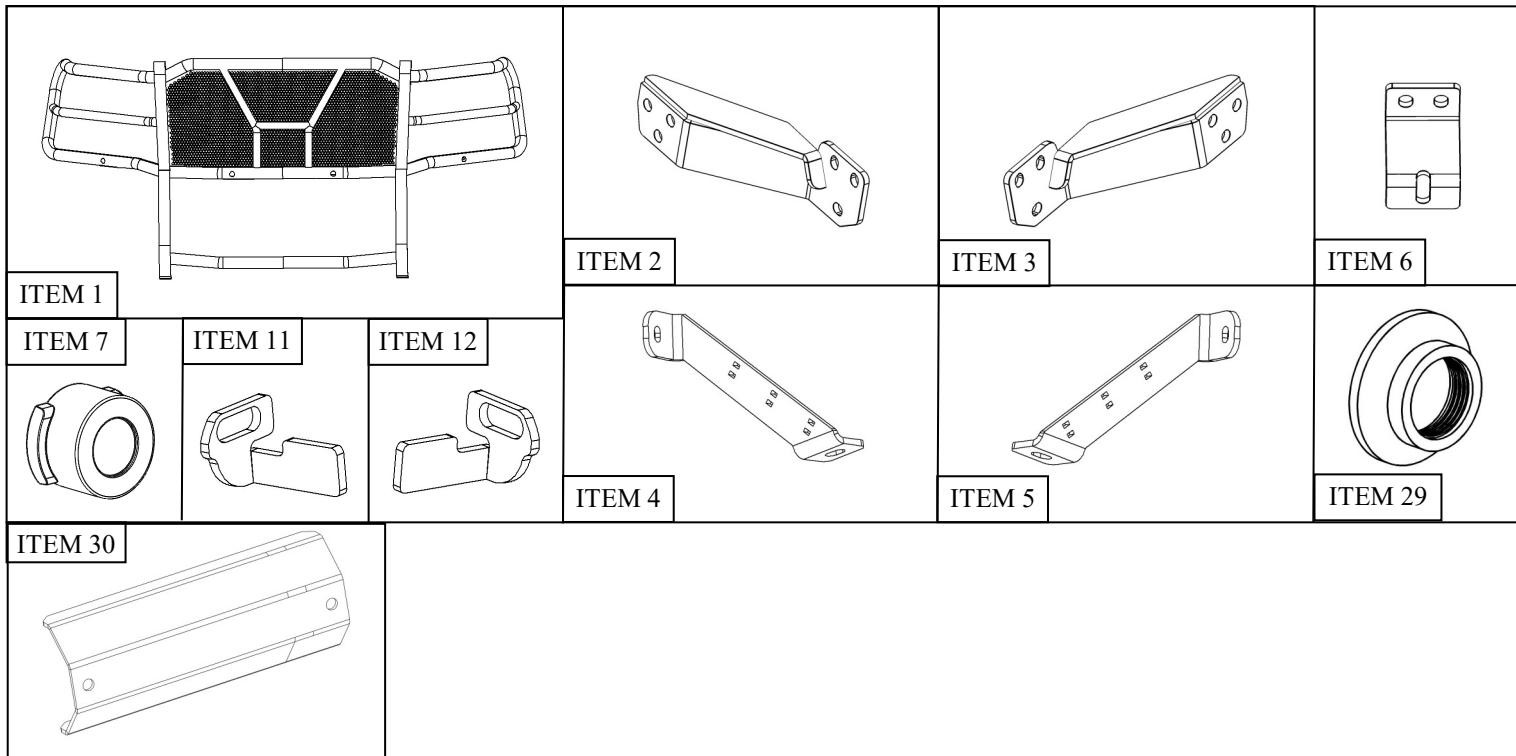
# INSTALLATION INSTRUCTIONS



**APPLICATION:**  
**2019-2020 Chevrolet Silverado 1500 (Excl. 2019 Silverado LD)**  
**w/Front Sensors**  
**PART NUMBER:**  
**57-3955S**

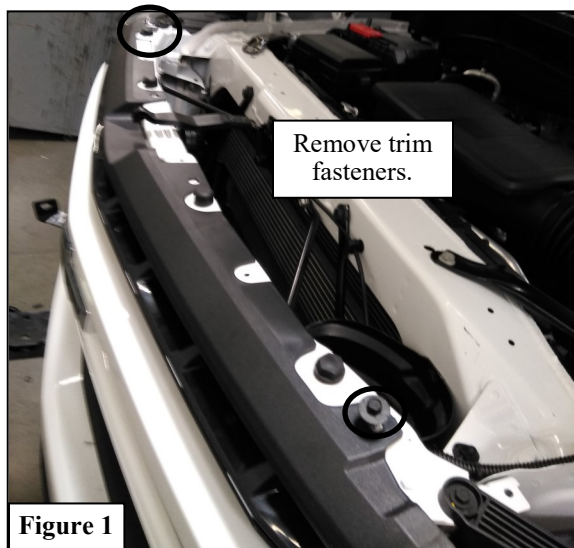
ITEM	QUANTITY	DESCRIPTION	TOOLS NEEDED
1	1	HDX GRILLE GUARD	10MM SOCKET
2	1	LOWER MOUNTING BRACKET DRIVER SIDE	16MM SOCKET
3	1	LOWER MOUNTING BRACKET PASSENGER SIDE	16MM WRENCH
4	1	UPPER SUPPORT BRACKET DRIVER SIDE	18MM SOCKET
5	1	UPPER SUPPORT BRACKET PASSENGER SIDE	18MM WRENCH
6	2	LOWER SUPPORT BRACKET	HAMMER
7	4	SENSOR PLUG	UTILITY KNIFE
8	8	PAN HEAD SCREWS	FLAT HEAD SCREWDRIVER
9	4	HARNESS EXTENSION	
10	2	DRIVER SIDE SENSOR TAB	RATCHET
11	2	PASSENGER SIDE SENSOR TAB	TORQUE WRENCH
12	4	M12 SHORT HEX HEAD CAP SCREW (YELLOW ZINC)	PRYBAR
13	2	M12 LONG HEX HEAD CAP SCREW (YELLOW ZINC)	13MM SOCKET
14	6	M12 SPLIT LOCK WASHER (YELLOW ZINC)	
15	12	M12 FLAT WASHER (YELLOW ZINC)	
16	6	M12 HEX NUT (YELLOW ZINC)	
17	4	M6 HEX HEAD CAP SCREW (BLACK)	
18	4	M6 FLAT WASHER (BLACK)	
19	4	M6 LOCK WASHER (BLACK)	
20	2	M10 HEX BUTTON HEAD BOLT (BLACK)	
21	2	M10 BELLVILLE WASHER (BLACK)	
22	2	M10 SERRATED FLANGE NUT (BLACK)	
23	6	M12 HEX BUTTON HEAD BOLT (BLACK)	
24	6	M12 SERRATED FLANGE NUT (BLACK)	
25	6	M12 BELLVILLE WASHER (BLACK)	
26	8	ZIP TIES	
27	4	DOUBLE SIDED TAPE SQUARES	
28	2	FISH WIRE	
29	4	SENSOR RETAINERS	
30	4	SENSOR COVER	

**ANTI-SEIZE LUBRICANT MUST BE USED ON ALL STAINLESS STEEL FASTENERS TO PREVENT THREAD DAMAGE AND GALLING**

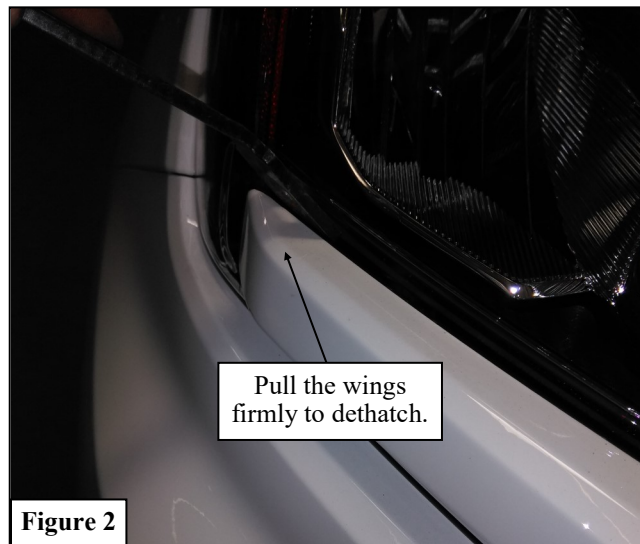


### PROCEDURE

1. Remove contents from box, verify if all parts listed are present and free from damage. Carefully read and understand all instructions before attempting installation. **Failure to identify damage before installation could lead to a rejection of any claim.**
2. Begin by removing the plastic trim fasteners holding the grille in place. Also detach the clips of the wings of the grille. See **Figures 1 & 2**.
3. Remove the grille by pulling firmly and carefully at the bottom of the grille.



**Figure 1**



**Figure 2**

4. Remove the 4 bolts behind the plastic cover securing the bumper to the vehicle. See **Figure 3**.
5. Also remove the bolts on the bottom of the frame securing the bumper supports to the vehicle. See **Figure 4**.



Figure 3

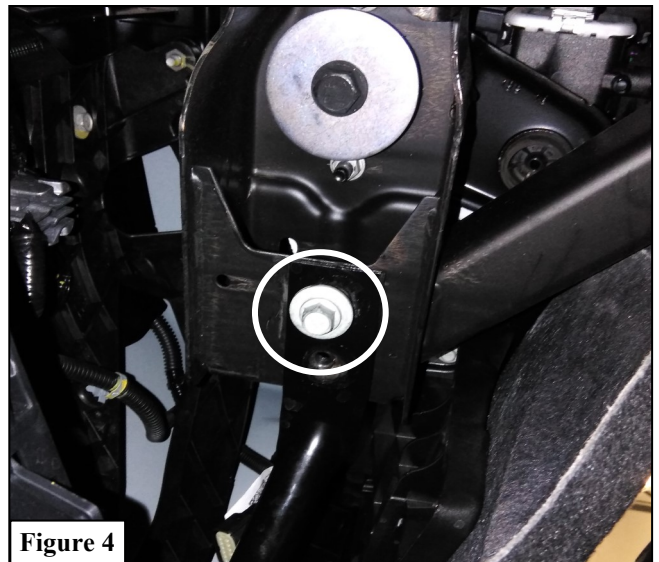


Figure 4

6. Once the bumper is removed, remove the bolts holding the plastic supports on the bumper in order to access the sensors and sensor wiring harness. Remove the sensors carefully and make sure to pay attention to the sensor orientation since they must be reinstalled in that orientation. See **Figure 5 & 6**.
7. After you remove the sensors and harness, reinstall the plastic supports using the OEM hardware.

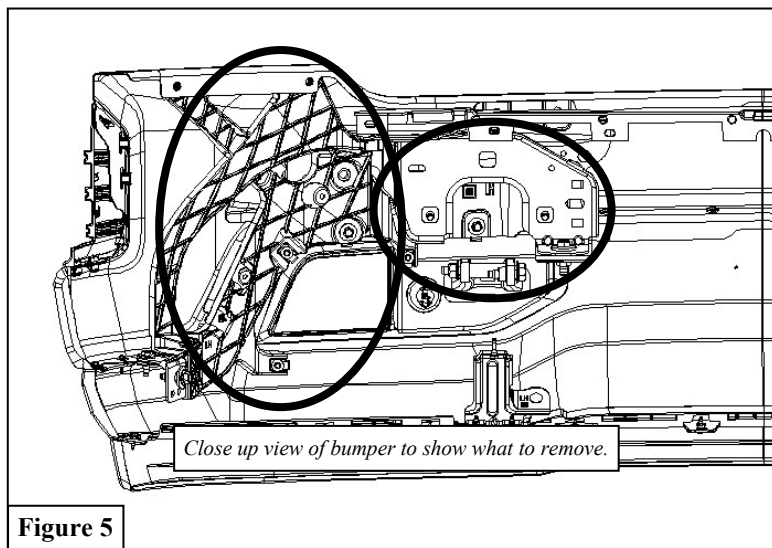


Figure 5

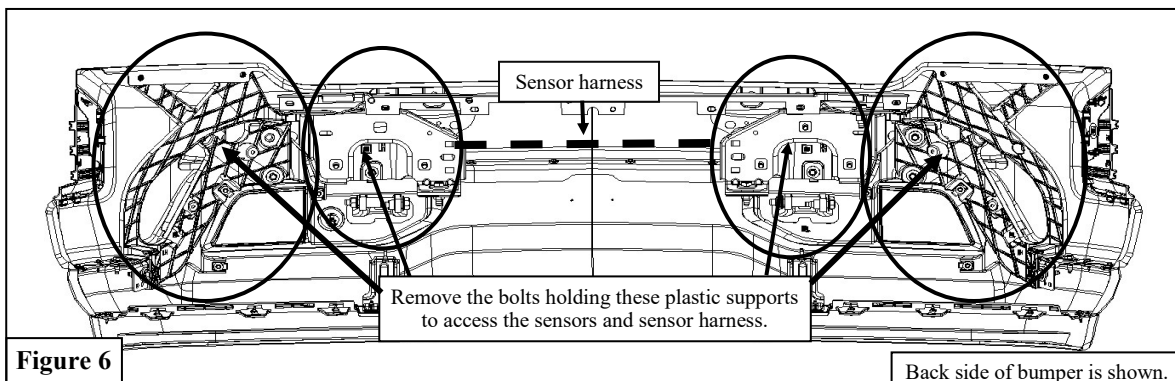


Figure 6



8. Reinstall the OEM bumper, route the wiring harness, and then reinstall the grille **before proceeding** with the installation. See **Figure 7**. (**NOTE**- Carefully route the original harness in between the grille and the OEM bumper to be able to connect the sensor harness extensions to the OEM harness. Use the provided Zip Ties (26) to secure the harness in place. See **Figure 10** for reference.)
9. Use the OEM hardware to secure the Upper Strap Bracket (4-5) to the bumper. See **Figures 8 and 9**.
10. Trim the factory trim area to fit the Lower Mounting Bracket (2-3). See **Figure 10**.

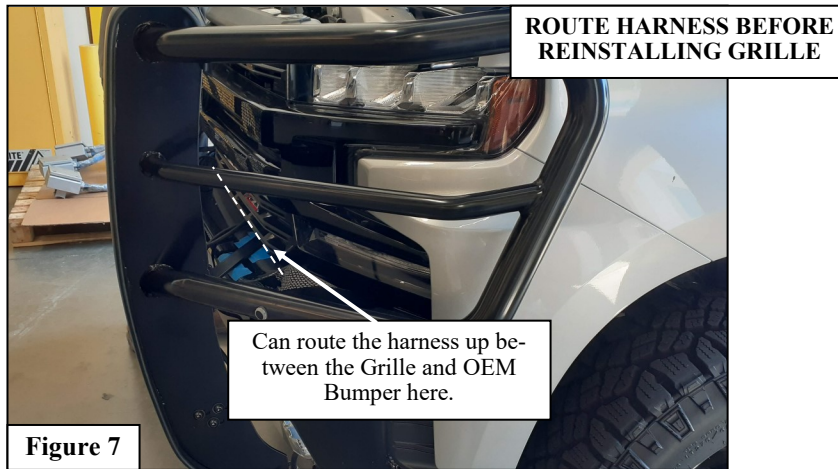
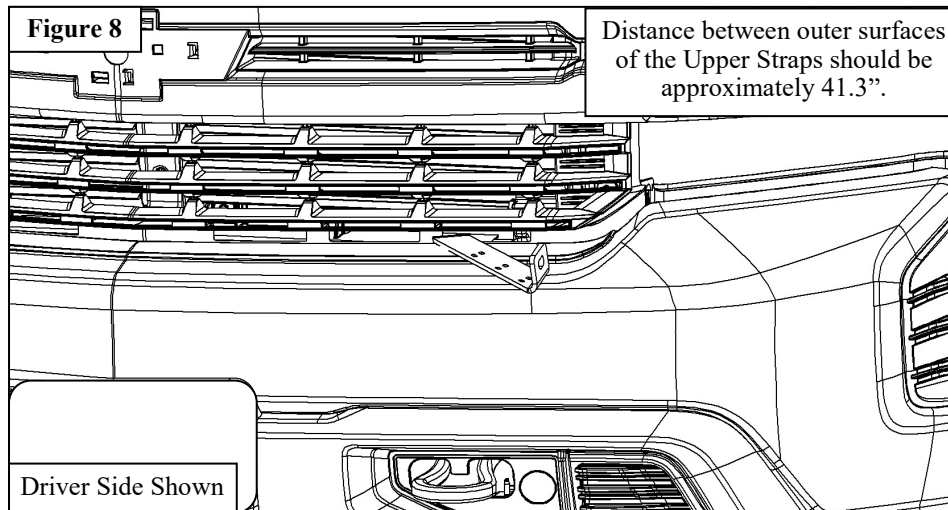
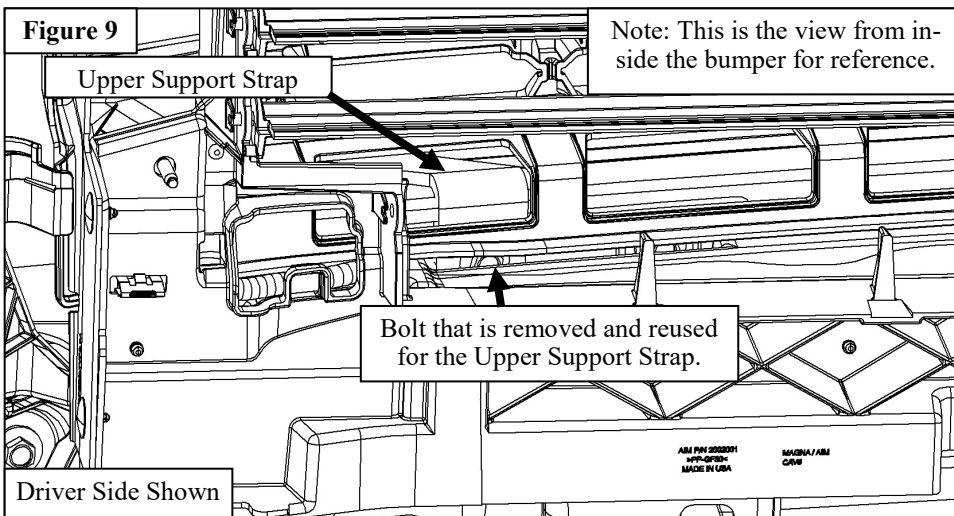


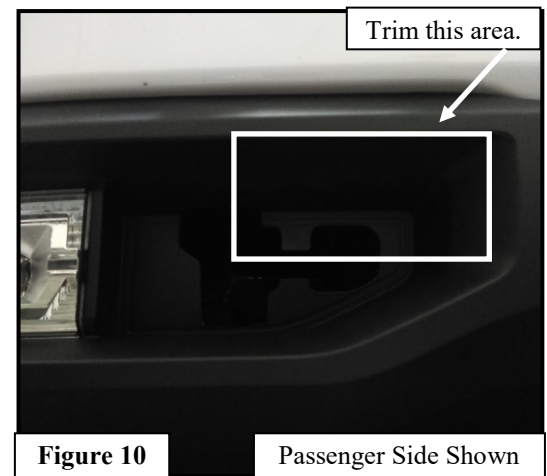
Figure 7



Driver Side Shown

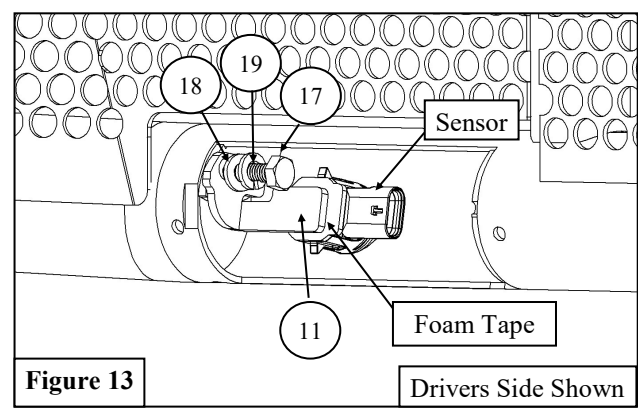
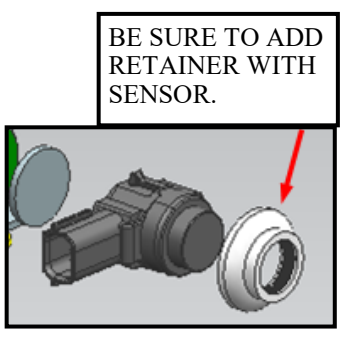
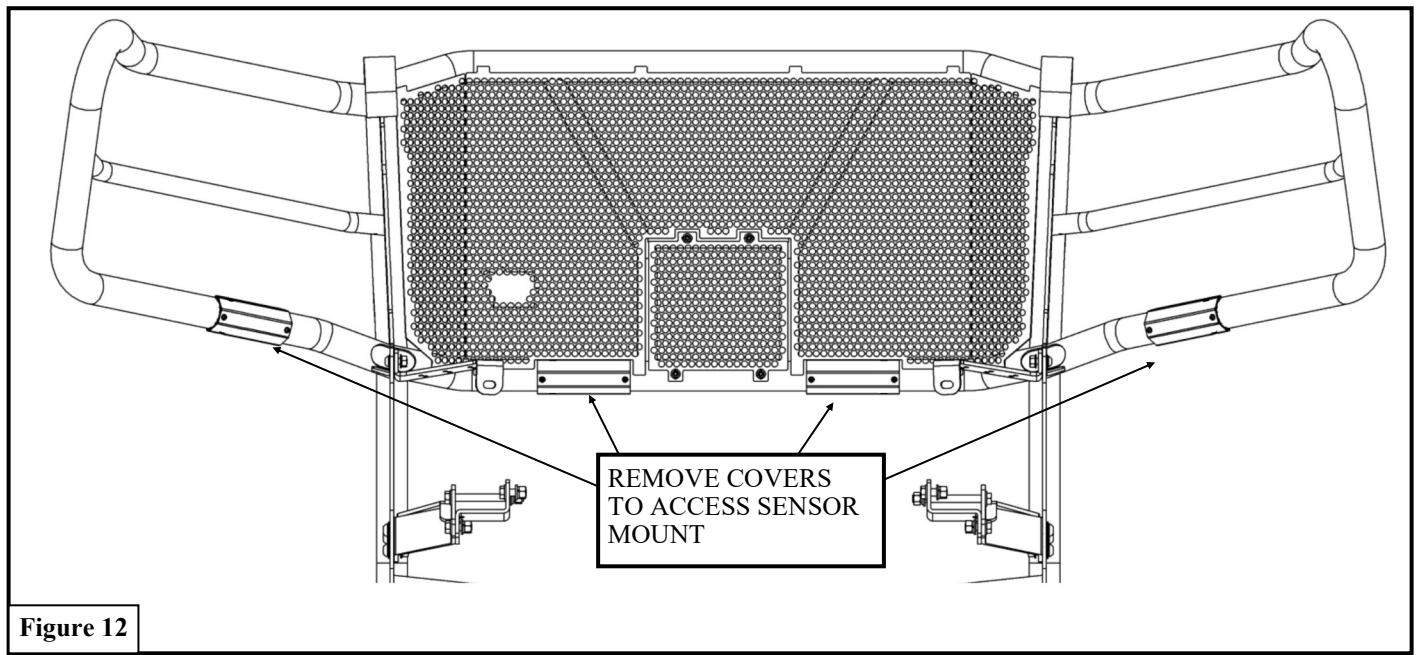
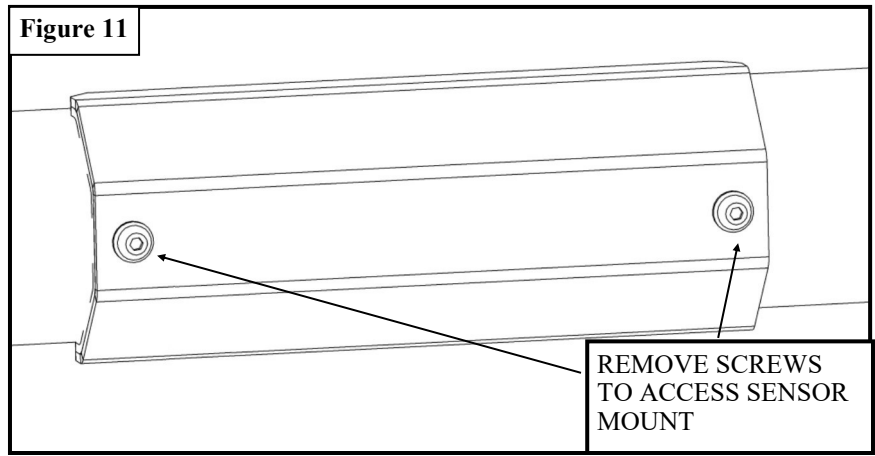


Driver Side Shown

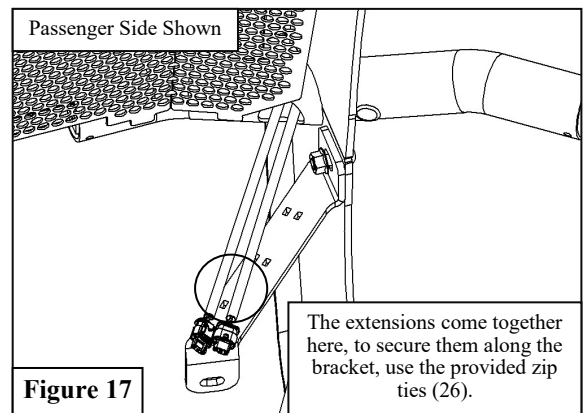
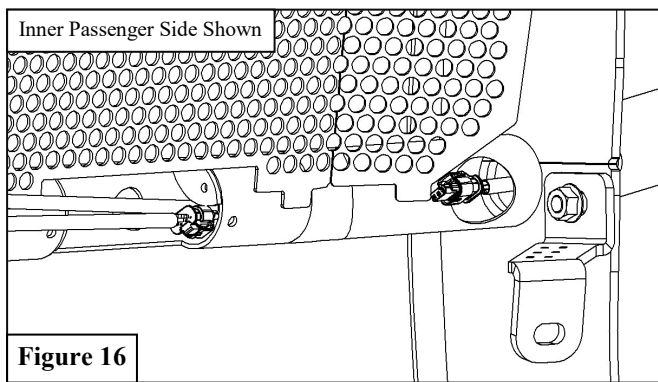
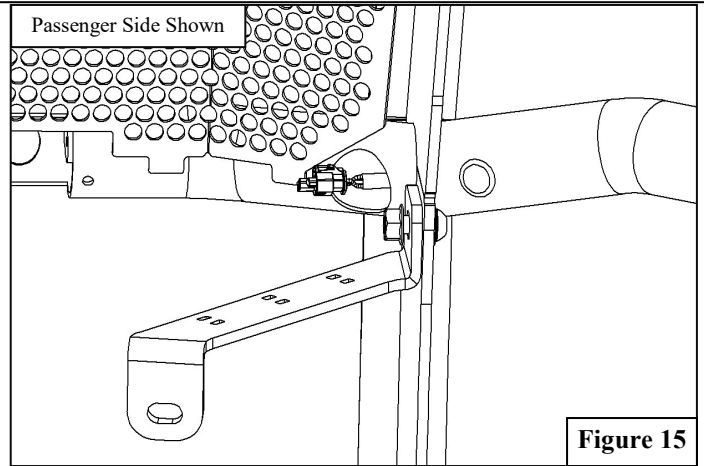
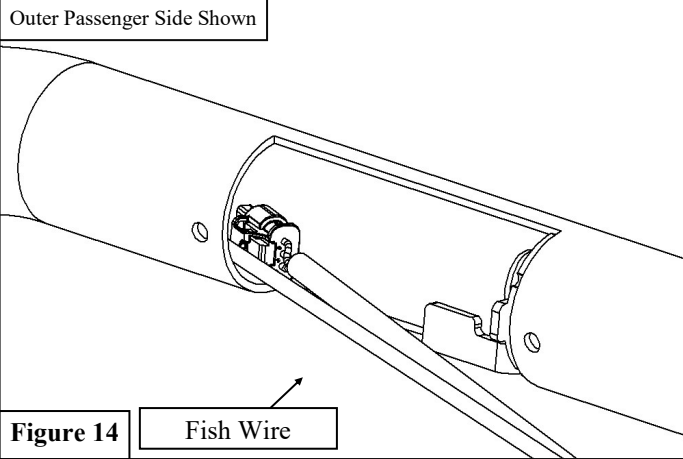


Passenger Side Shown

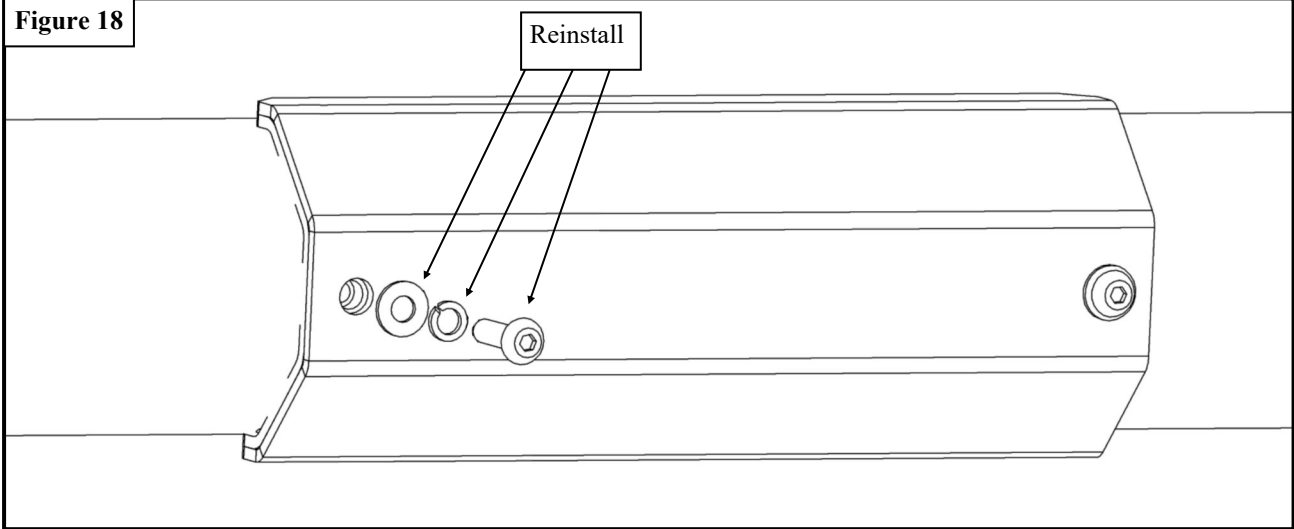
11. Unbolt the pre-installed tube covers from the grille guard by unscrewing M6 button head bolts. . See **Figure 11-12**
12. Mount the sensors onto the Grille Guard (1) in the same orientation that they were on the OEM bumper using the Sensor Tabs (11-12) and the provided M6 hardware.. See **Figure 13.** *Note: The double sided tape (27) may be used to secure the Sensor Tabs to the Sensor.*



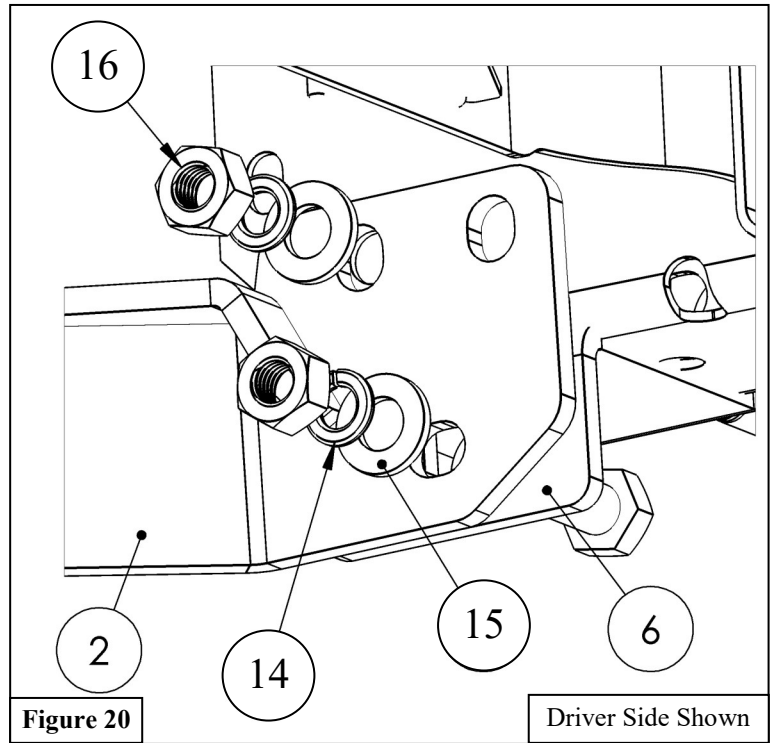
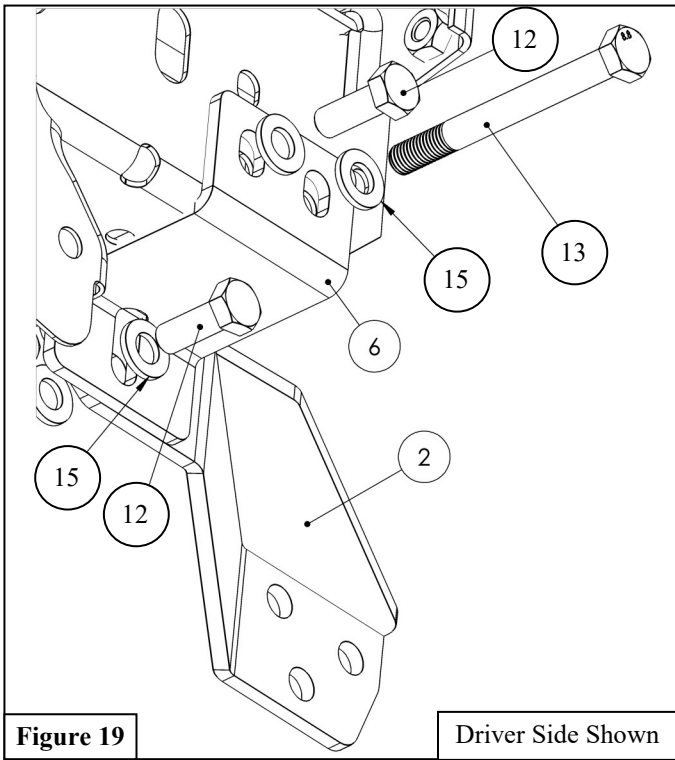
13. Locate the Harness Extensions (9) and route the extension wire using the supplied Fish Wire (28) through the grille guard tube covers before installing the sensors. See Figures 14-17.



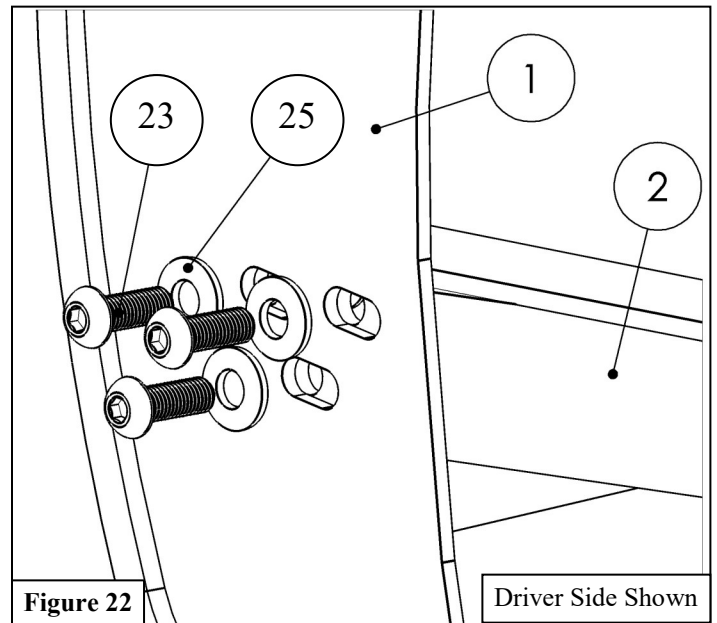
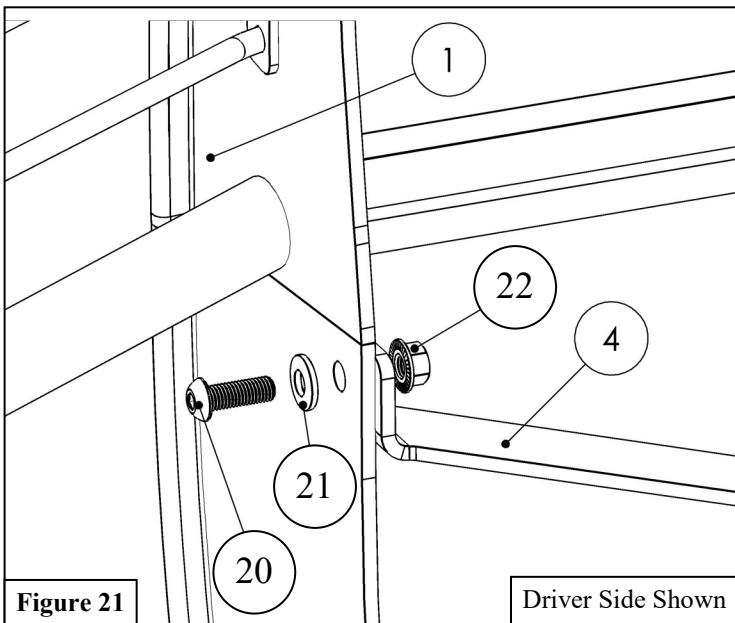
14. Reinstall the sensor covers using the same hardware you removed. See Figure 18.



15. Install the Lower Mounting Bracket (2-3) and Lower Support Strap (6) to the frame using the supplied M12 Hardware. See **Figures 19-20**

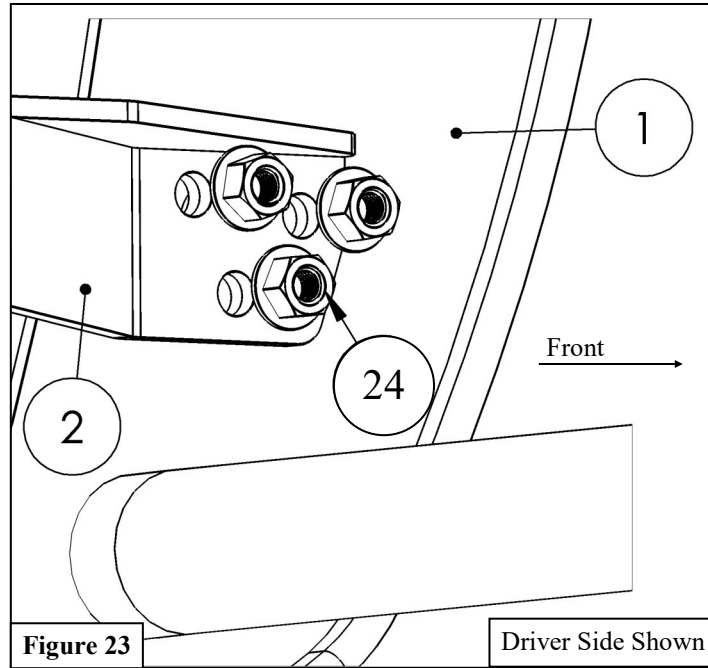


16. Use the supplied M10 and M12 Hardware (12-17) to secure the Grille Guard to the Mounting Brackets/Straps. See **Figures 21-23**





17. Adjust the Assembly as desired and tighten all hardware: M10 to 32 ft-lbs, M12 to 55 ft-lbs.



#### CARE INSTRUCTIONS

- REGULAR WAXING IS RECOMMENDED. DO NOT USE ANY TYPE OF POLISH OR WAX THAT MAY CONTAIN ABRASIVES.
- STAINLESS STEEL PRODUCTS CAN BE CLEANED WITH MILD SOAP AND WATER. STAINLESS STEEL POLISH SHOULD BE USED TO POLISH SMALL SCRATCHES.
- GLOSS BLACK FINISHES SHOULD BE CLEANED WITH MILD SOAP AND WATER.

**WESTIN** Westin Automotive Products, Inc.  
320 W. Covina Blvd  
San Dimas, Ca. 91773

Thank you for choosing Westin products  
for additional installation assistance please call  
Customer Service (800) 793-7846  
[www.westinautomotive.com](http://www.westinautomotive.com)





## WARNING



Failure to follow these instructions could lead to death, personal injury, and / or property damage.

Failure to follow these instructions could lead to death, personal injury, and / or property damage.

### FASTENERS:

All Westin supplied fasteners must be utilized and installed in accordance with the installation instructions and apply torque to the specifications as defined. **DOUBLE CHECK ALL FASTENERS BEFORE INITIAL USE, AND PERIODICALLY IN THE FUTURE TO ENSURE PROPER FUNCTION AND SAFETY.**

### DRILLING:

Most Westin products do not require drilling for installation. If drilling is defined as required, use caution when drilling a vehicle. **FAILURE TO REVIEW AN AREA TO BE DRILLED MAY RESULT IN PERSONAL INJURY AND/OR INJURY TO OTHERS AS WELL AS VEHICLE DAMAGE.**

### EYE PROTECTION:

**ALWAYS WEAR SAFETY GLASSES OR GOGGLES DURING THE INSTALLATION PROCESS TO AVOID PERSONAL INJURY.**

### MAXIMUM TOWING/CARRYING CAPACITY: (if applicable)

The Westin Receiver Hitches will have a visible tow rating label affixed directly on the product. User should never exceed the vehicle manufacturers maximum tow and weight rating regardless of the capacity of the hitch. **FAILURE TO FOLLOW THESE GUIDELINES WILL VOID THE WESTIN WARRANTY AND MAY RESULT IN PERSONAL INJURY AND/OR INJURY TO OTHERS AS WELL AS VEHICLE DAMAGE.**

### FOR CALIFORNIA RESIDENTS ONLY-PROP 65 WARNING:

Some products may contain chemicals such as DEHP, which can cause cancer, birth defects or other reproductive harm. For more info go to [www.p65warnings.ca.gov](http://www.p65warnings.ca.gov)



Westin Automotive Products, Inc.  
320 W. Covina Blvd  
San Dimas, Ca. 91773