



# INSTALLATION INSTRUCTIONS

## HDX Grille Guard / MAX Winch Tray

**APPLICATION:**  
2023-2024 Ford F250/350 Super Duty  
**PART NUMBER:**  
HDX Grille Guard (Black): 57-4105  
HDX Grille Guard (Polished): 57-4100

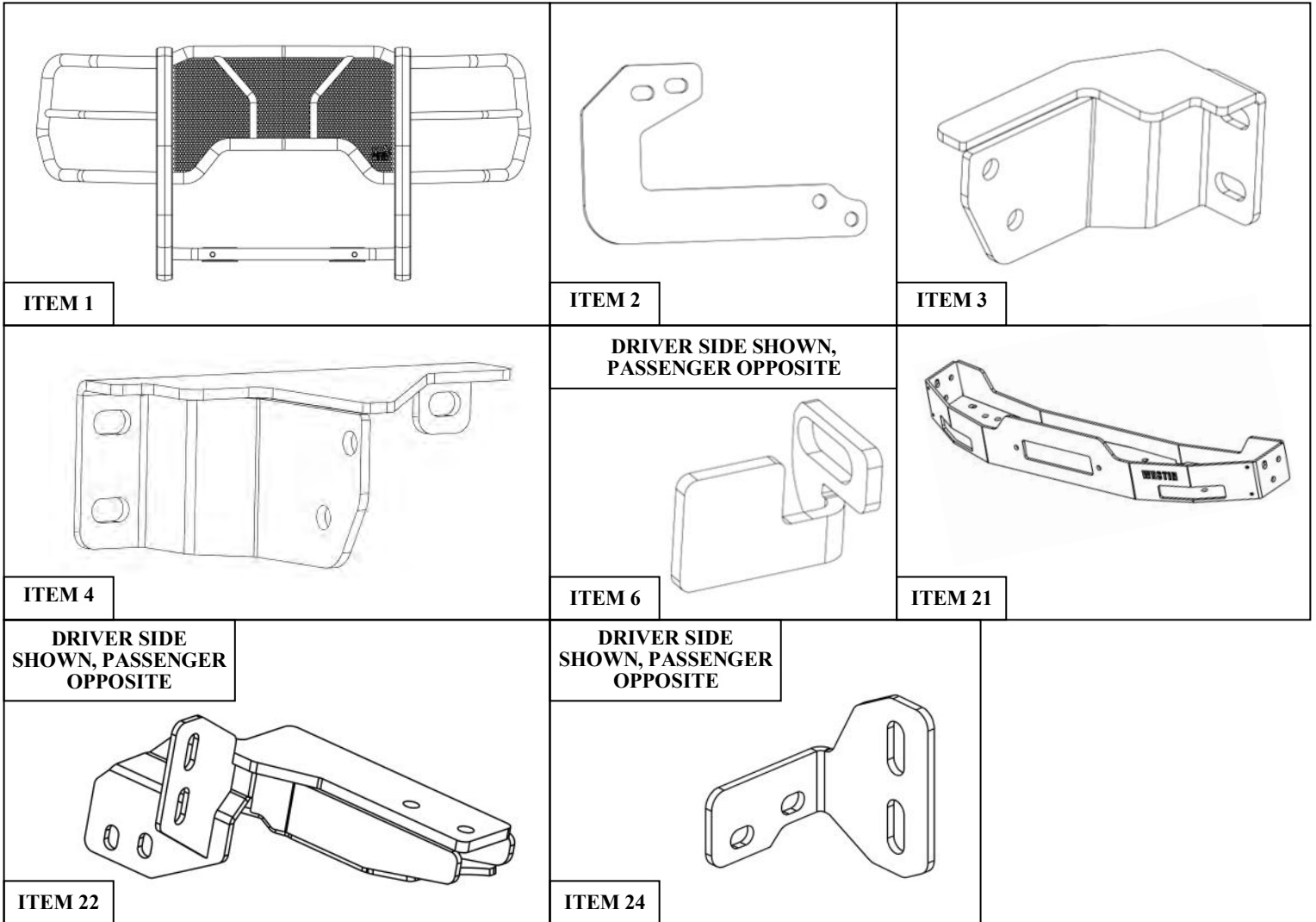
**Kit Number (Black): 57-94105**  
**Kit Number (Polished): 57-94100**  
**Winch Tray Kit: 46-23905**

ITEM	QUANTITY	DESCRIPTION	TOOLS NEEDED
1	1	GRILLE GUARD ASSEMBLY	TORQUE WRENCH
2	2	LOWER SUPPORT BRACKET	10MM WRENCH
3	1	DRIVER MOUNT BRACKET	17MM SOCKET
4	1	PASSENGER MOUNT BRACKET	19MM SOCKET
5	2	SENSOR HARNESS EXTENDER	ALLEN WRENCH
6	1	DRIVER SENSOR L-BRACKET	RATCHET
7	1	PASSENGER SENSOR L-BRACKET	
8	5	LONG M12 HEX HEAD BOLT (YELLOW ZINC)	
9	4	SHORT M12 HEX HEAD BOLT (YELLOW ZINC)	
10	9	M12 SPLIT LOCK WASHER (YELLOW ZINC)	
11	18	M12 FLAT WASHER (YELLOW ZINC)	
12	9	M12 HEX NUT (YELLOW ZINC)	
13	2	M6 HEX HEAD BOLT (YELLOW ZINC)	
14	2	M6 SPLIT LOCK WASHER (YELLOW ZINC)	
15	2	M6 FLAT WASHER (YELLOW ZINC)	
16	10	M12 BUTTON HEAD BOLT (BLACK ZINC / STAINLESS STEEL)	
17	10	M12 BELLVILLE WASHER (BLACK ZINC / STAINLESS STEEL)	
18	10	M12 SERRATED FLANGED HEX NUT (BLACK ZINC / STAINLESS STEEL)	
19	2	ZIP TIE	
20	2	DOUBLE SIDED TAPE	
<b>INCLUDED WITH MAX WINCH TRAY</b>			
21	1	WINCH TRAY	
22	1	DRIVER WINCH TRAY MOUNT BRACKET "A"	
23	1	PASSENGER WINCH TRAY MOUNT BRACKET "A"	
24	1	DRIVER WINCH TRAY MOUNT BRACKET "B"	
25	1	PASSENGER WINCH TRAY MOUNT BRACKET "B"	
26	12	M12 HEX HEAD CAP SCREW (YELLOW ZINC)	
27	20	M12 HEX NUT (YELLOW ZINC)	
28	20	M12 SPLIT LOCK WASHER (YELLOW ZINC)	
29	32	M12 FLAT WASHER (YELLOW ZINC)	

**ANTI-SEIZE LUBRICANT MUST BE USED ON ALL STAINLESS STEEL FASTENERS TO PREVENT THREAD DAMAGE AND GALLING**

30	4	M10 HEX HEAD CAP SCREW (YELLOW ZINC)	
31	4	M10 SPLIT LOCK WASHER (YELLOW ZINC)	
32	4	M10 FLAT WASHER (YELLOW ZINC)	
33	4	M12 HEX HEAD CAP SCREW (BLACK ZINC)	
34	4	M12 HEX NUT (BLACK ZINC)	
35	4	M12 SPLIT LOCK WASHER (BLACK ZINC)	
36	8	M12 FLAT WASHER (BLACK ZINC)	

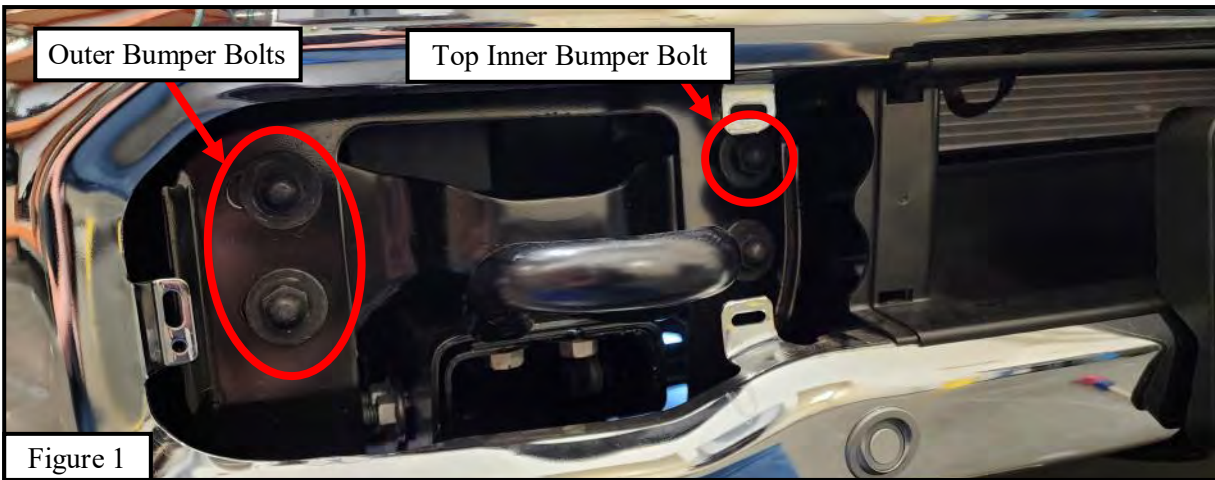
**ANTI-SEIZE LUBRICANT MUST BE USED ON ALL STAINLESS STEEL FASTENERS TO PREVENT THREAD DAMAGE AND GALLING**



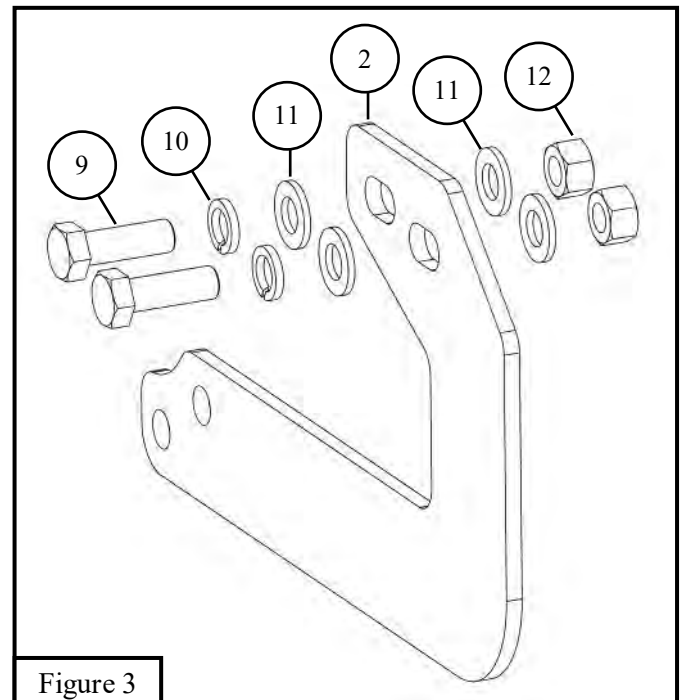
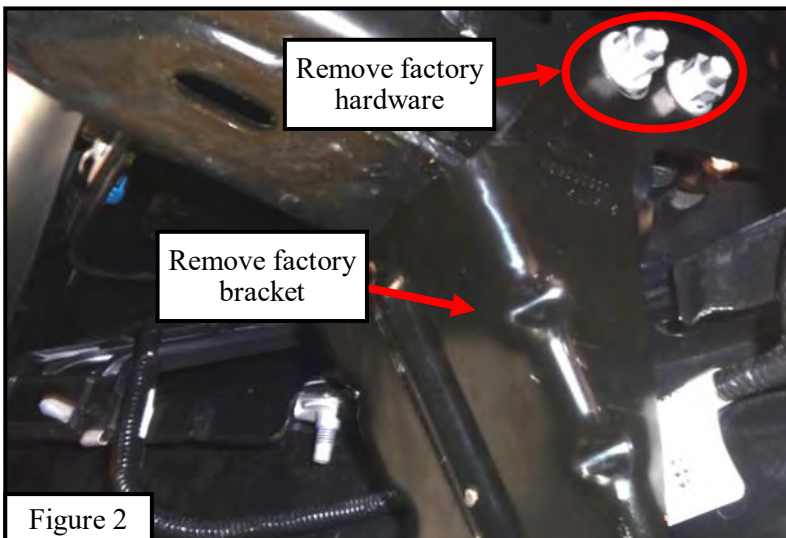
# Installation instructions for grille guard only. If installing max winch tray and grille guard, skip to page 6.

## PROCEDURE

1. Remove contents from box, verify if all parts listed are present and free from damage. Carefully read and understand all instructions before attempting installation.  
**Failure to identify damage before installation could lead to a rejection of any claim.**
2. On the driver's side of the truck, remove the (2) outer bumper bolts shown in **Figure 1**.
3. On the passenger's side of the truck, remove the (2) outer bumper bolts and the top inner bumper bolt shown in **Figure 1**.



4. On each side of the truck, remove the factory bracket and hardware shown in **Figure 2**.
5. One each side of the truck, loosely install (1) lower support bracket (**item 2**) on the outside of the frame where the factory hardware was removed in the previous step. See **Figure 3**. Trim the bumper valence as needed to install the lower support bracket.



6. Trim the bumper panels. See **Figure 4**.



Figure 4

**If front parking sensors aren't equipped, skip to step 12.**

7. Remove the (2) center parking sensors from the front bumper.
8. Remove the cover panels and rubber hole plugs from the grille guard lower tube. See **Figure 5**.
9. Insert (1) sensor harness extender (**item 5**) into the lower grille guard tube. Place one end of the harness extender in the space behind the cover panel. See **Figure 5**.
10. Place (1) piece of double sided tape (**item 20**) on the back of each parking sensor.
11. Install the parking sensors using the M6 hardware (**items 13-15**) and the sensor L-brackets (**items 6-7**). See **Figure 6**.

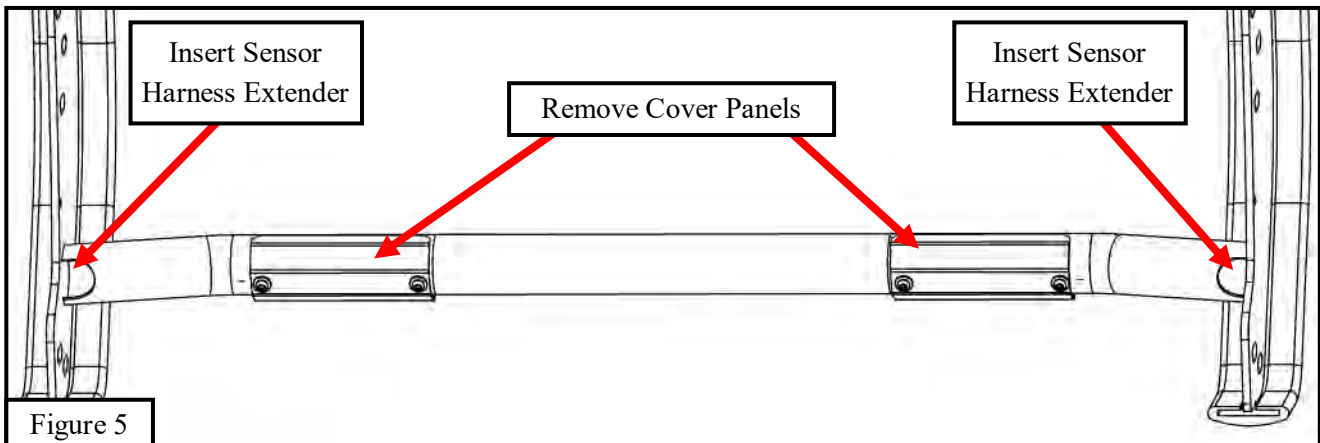


Figure 5

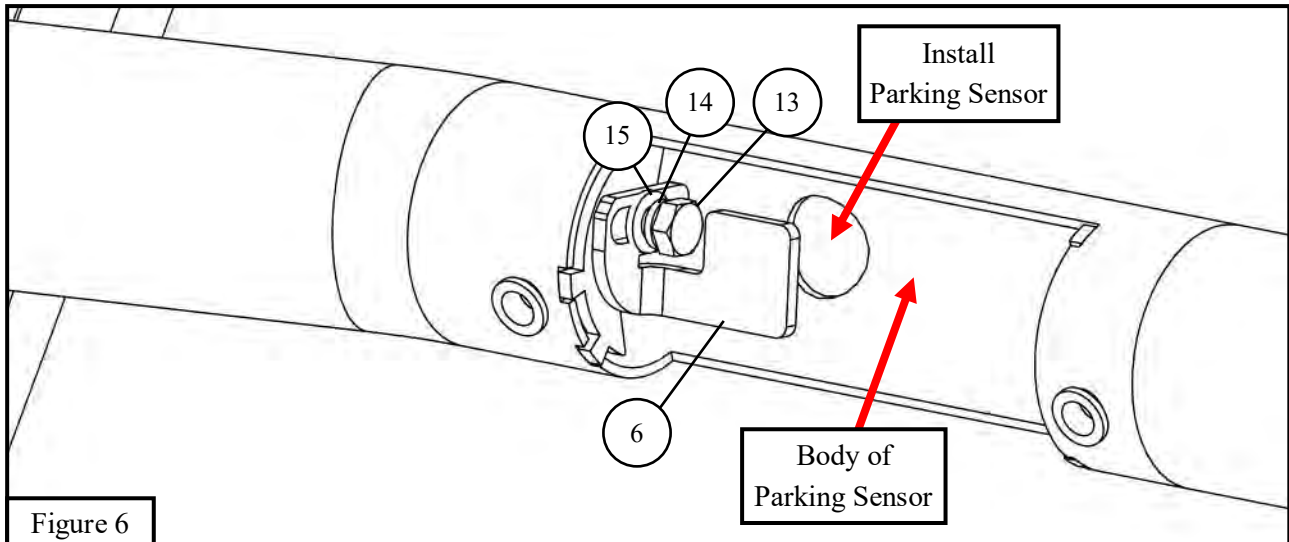


Figure 6

12. Loosely install the driver and passenger mount brackets (**items 3 and 4**) using the M12 hardware (**items 8, 10, 11, and 12**). See **Figures 1 and 7**.
13. Reinstall the trimmed bumper panels
14. Loosely install the grille guard assembly (**item 1**) onto the brackets using the black M12 hardware (**items 16-18**). See **Figure 7**.
15. Adjust the brackets and grille guard as needed. Tighten hardware to the following specifications: M12 to 50-55 ft-lbs, M10 to 30-35 ft-lbs, M6 to 5-7 ft-lbs.
16. Connect the sensor harness extenders to the parking sensors and bumper sensor harness.
17. Reinstall the cover panels.
18. Place the rubber hole plugs into the empty sensor holes in the bumper.
19. Use the zip ties (**item 19**) to hold the sensor harness extenders in place.

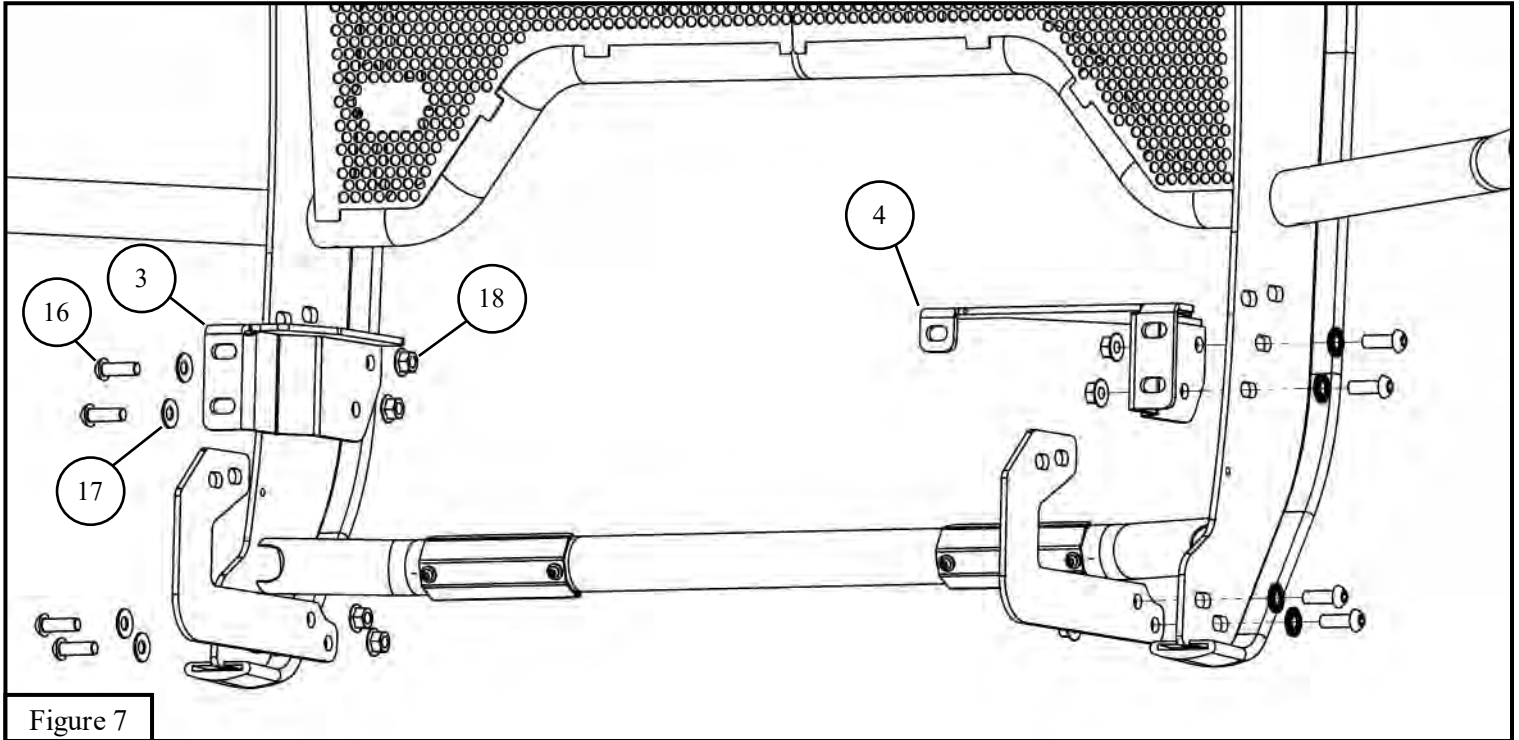
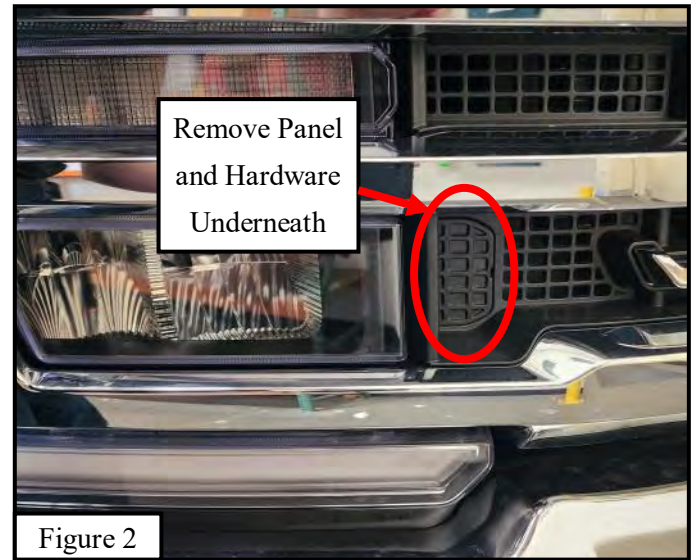
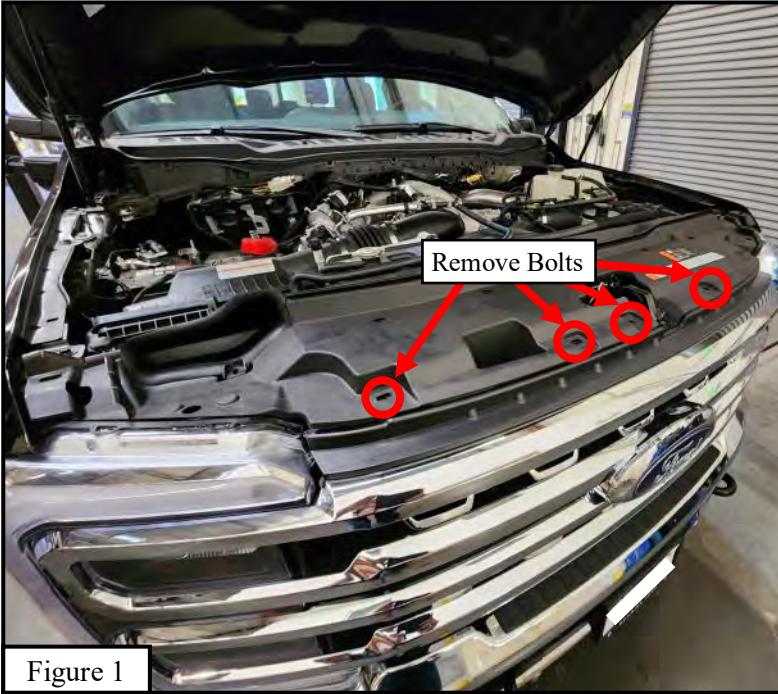


Figure 7

# Installation instructions for grille guard and max winch tray.

## PROCEDURE

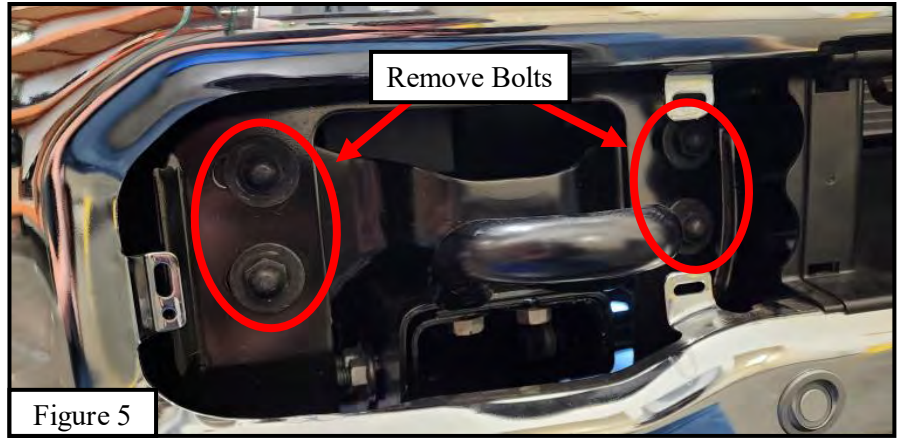
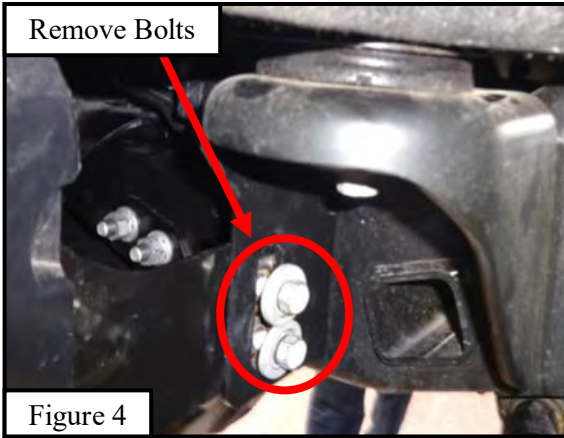
1. Remove contents from box, verify if all parts listed are present and free from damage.  
Carefully read and understand all instructions before attempting installation.  
**Failure to identify damage before installation could lead to a rejection of any claim.**
2. Open the hood and remove the bolts attaching the top of the grille to the truck. See **Figure 1**.
3. On each side, remove the panel shown in Figure 2 and remove the hardware underneath. See **Figure 2**.
4. Remove the (4) bolts attaching the bottom of the grille to the truck.



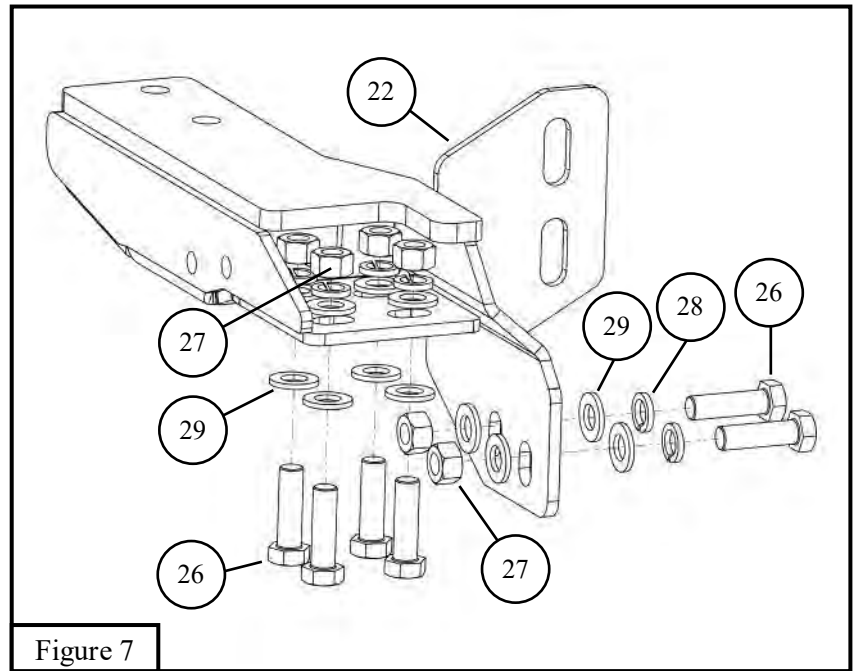
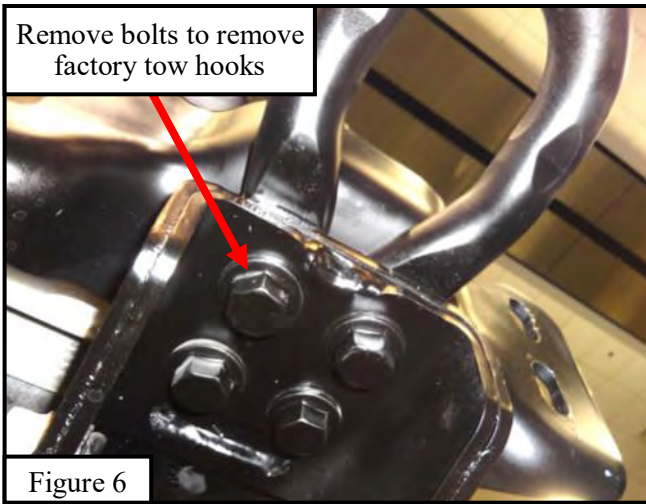
5. Remove the grille from the truck, disconnect any cables or tubes connected to the grille.
6. Remove the plastic panels circled in **Figure 3**.



7. On each side, remove (2) bolts attaching the bumper to the body mount. See **Figure 4**.
8. Disconnect all cables from the front bumper.
9. On each side, remove the (4) bolts shown in **Figure 5**.
10. Remove the front bumper.



11. Remove the factory tow hooks. **Note:** Factory tow hooks will not be re-used. See **Figure 6**.
12. Loosely install the driver winch tray mount bracket "A" (**item 22**) where the tow hook was removed using M12 hardware (**items 26-29**). The (4) M12 bolts are installed where the (4) factory bolts were removed in the previous step. See **Figure 7**.



13. Loosely install the driver winch tray mount bracket “B” (item 24) onto the driver winch tray mount bracket “A” using the M10 hardware (items 30-32). See **Figure 8**.
14. Repeat **Steps 12 and 13** on the passenger side of the truck.
15. Reinstall the bumper. Attach the bumper to the winch tray mount brackets using the factory bolts and M12 hardware (items 27-29).

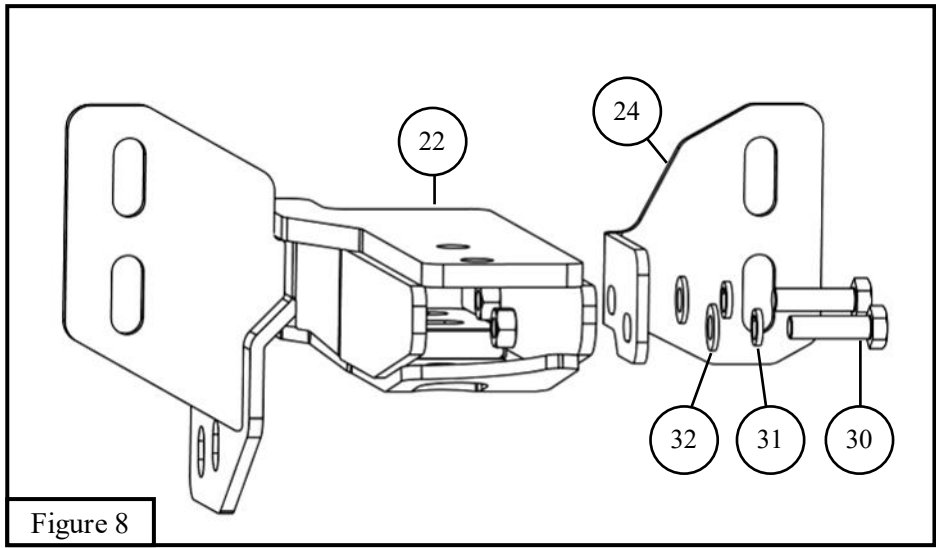


Figure 8

16. On each side of the truck, remove the factory bracket and hardware shown in **Figure 9**.
17. One each side of the truck, loosely install (1) lower support bracket (item 2) on the outside of the frame where the factory hardware was removed in the previous step. See **Figure 10**. Trim the bumper valence as needed to install the lower support bracket.

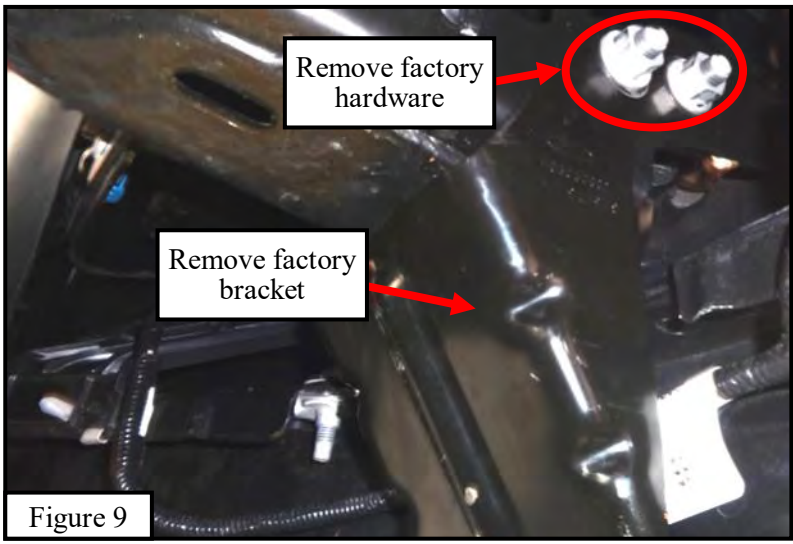


Figure 9

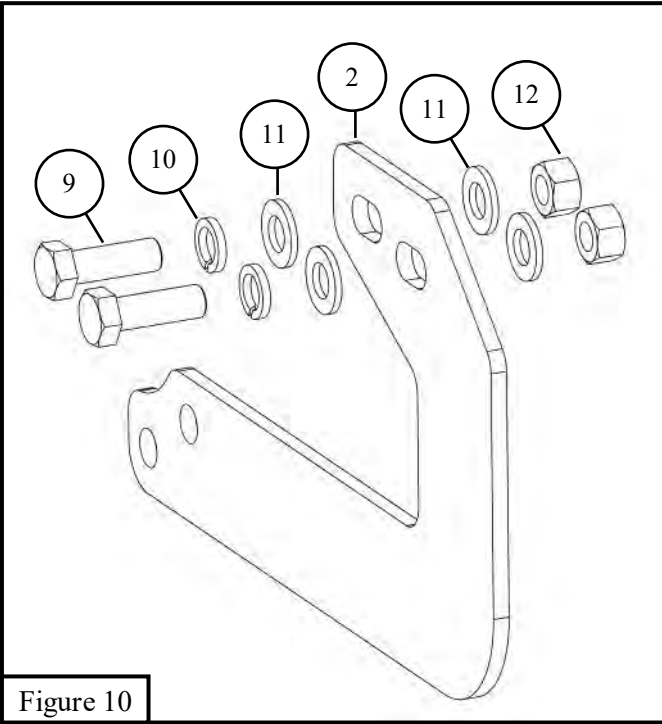


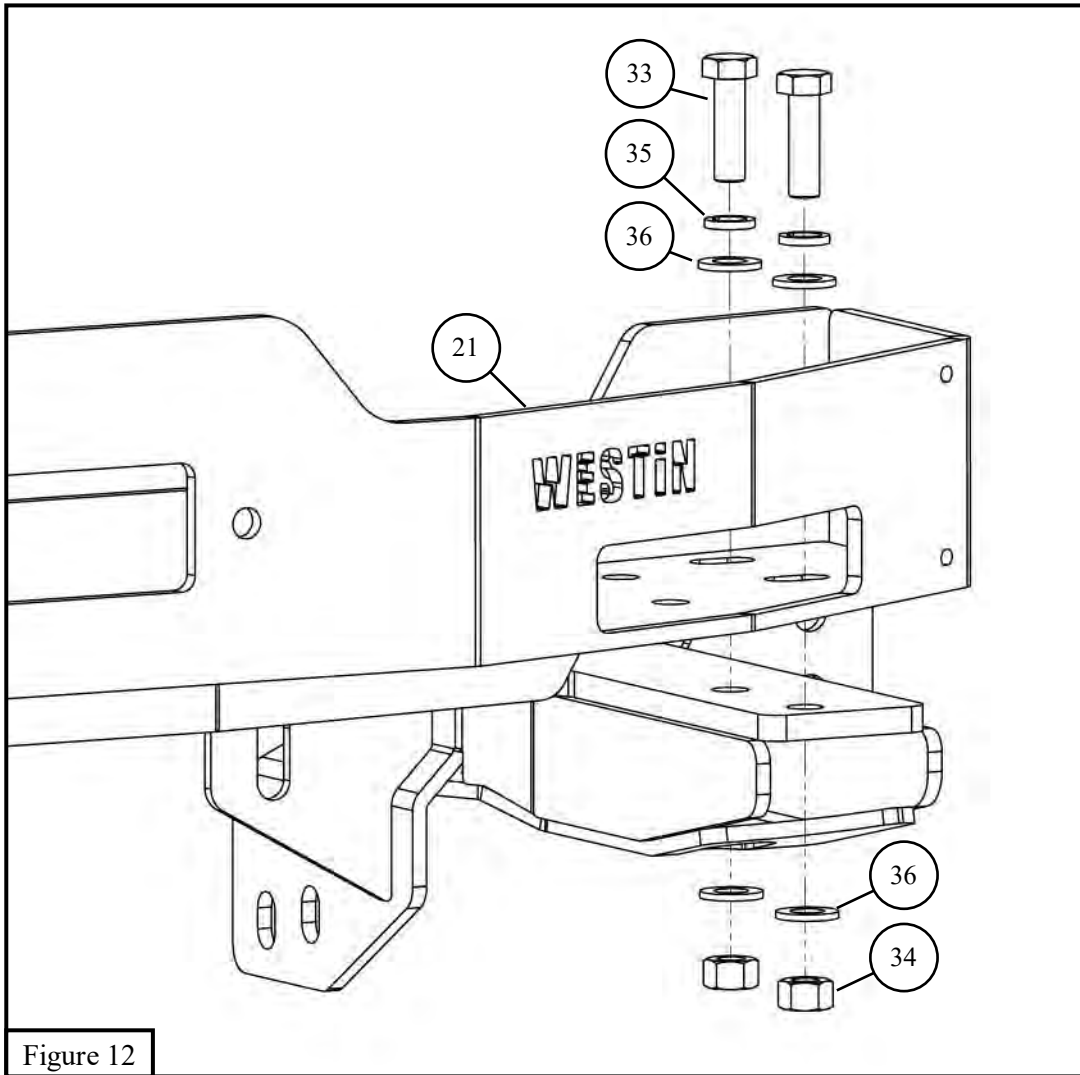
Figure 10



18. Trim the bumper panels. See **Figure 11**.
19. Reinstall the trimmed bumper panels.
20. Reinstall the grille.



21. Install the winch tray (**item 21**) onto the winch tray brackets using the M12 hardware (**items 33-36**). See **Figure 12**.
22. Install the winch in the winch tray.



**If front parking sensors aren't equipped, skip to step 28.**

23. Remove the (2) center parking sensors from the front bumper.
24. Remove the cover panels and rubber hole plugs from the grille guard lower tube. See **Figure 13**.
25. Insert (1) sensor harness extender (**item 5**) into the lower grille guard tube. Place one end of the harness extender in the space behind the cover panel. See **Figure 13**.
26. Place (1) piece of double sided tape (**item 20**) on the back of each parking sensor.
27. Install the parking sensors using the M6 hardware (**items 13-15**) and the sensor L-brackets (**items 6-7**). See **Figure 14**.

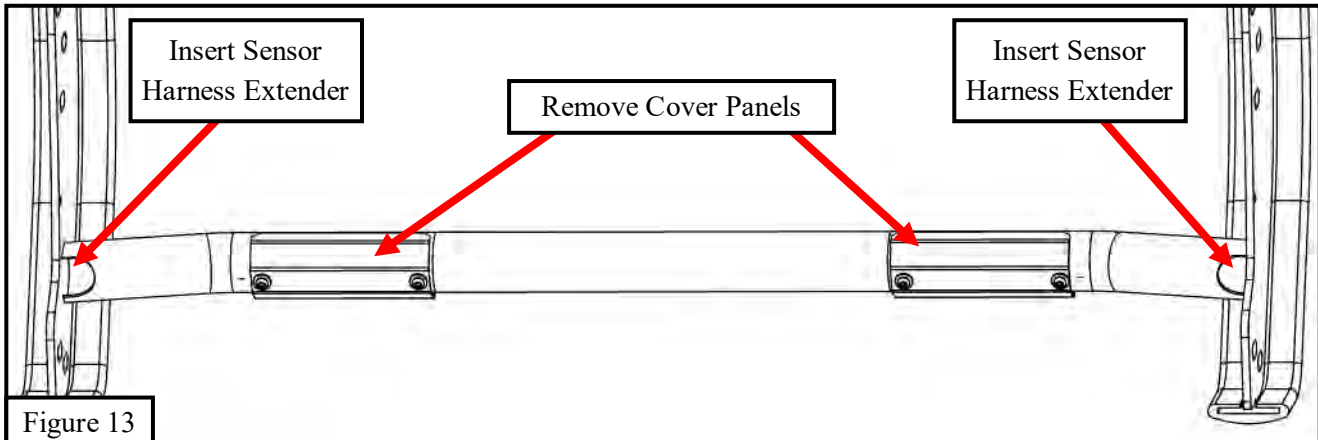


Figure 13

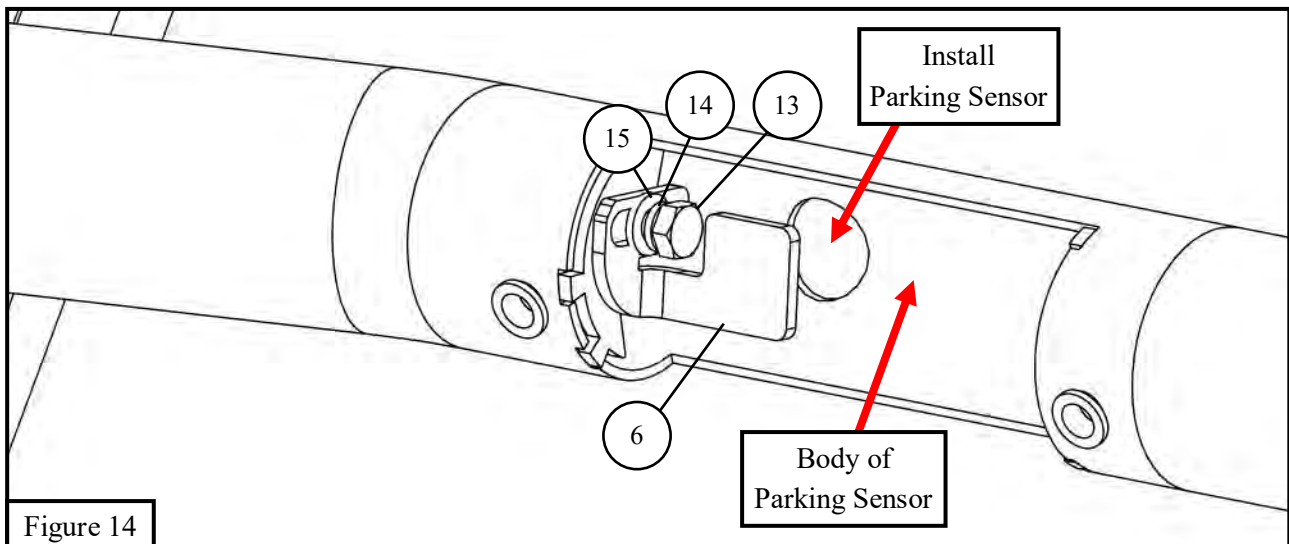


Figure 14

28. Loosely install the grille guard assembly (**item 1**) onto the winch tray and brackets using the black M12 hardware (**items 16-18**). See **Figure 15**.
29. Adjust the brackets and grille guard as needed. Tighten hardware to the following specifications: M12 to 50-55 ft-lbs, M10 to 30-35 ft-lbs, M6 to 5-7 ft-lbs.
30. Connect the sensor harness extenders to the parking sensors and bumper sensor harness.
31. Reinstall the cover panels.
32. Place the rubber hole plugs into the empty sensor holes in the bumper.
33. Use the zip ties (**item 19**) to hold the sensor harness extenders in place.

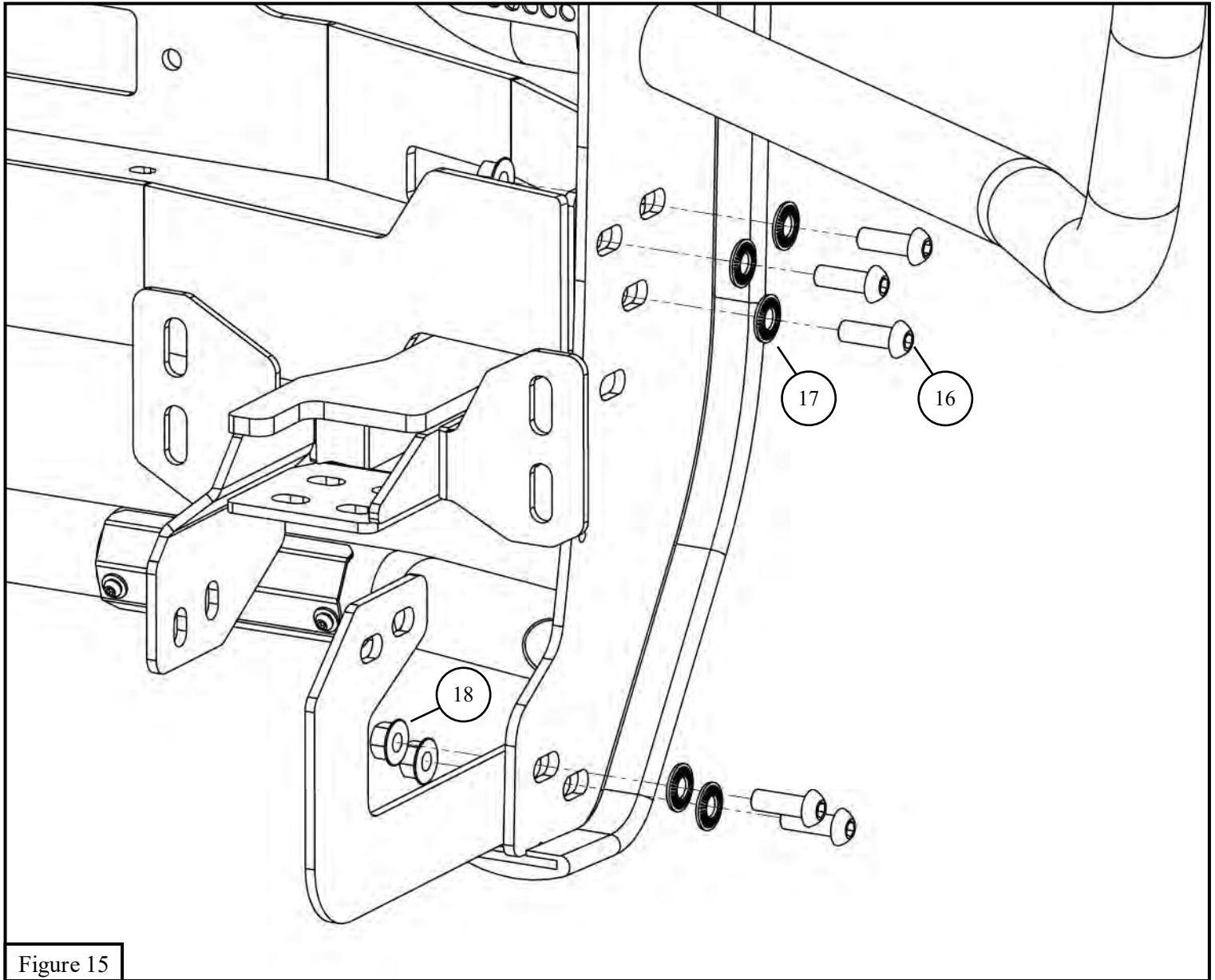


Figure 15



## WARNING



Failure to follow these instructions could lead to death, personal injury, and / or property damage.

Failure to follow these instructions could lead to death, personal injury, and / or property damage.

### FASTENERS:

All Westin supplied fasteners must be utilized and installed in accordance with the installation instructions and apply torque to the specifications as defined. **DOUBLE CHECK ALL FASTENERS BEFORE INITIAL USE, AND PERIODICALLY IN THE FUTURE TO ENSURE PROPER FUNCTION AND SAFETY.**

### DRILLING:

Most Westin products do not require drilling for installation. If drilling is defined as required, use caution when drilling a vehicle. **FAILURE TO REVIEW AN AREA TO BE DRILLED MAY RESULT IN PERSONAL INJURY AND/OR INJURY TO OTHERS AS WELL AS VEHICLE DAMAGE.**

### EYE PROTECTION:

**ALWAYS WEAR SAFETY GLASSES OR GOGGLES DURING THE INSTALLATION PROCESS TO AVOID PERSONAL INJURY.**

### MAXIMUM TOWING/CARRYING CAPACITY: (if applicable)

The Westin Receiver Hitches will have a visible tow rating label affixed directly on the product. User should never exceed the vehicle manufacturers maximum tow and weight rating regardless of the capacity of the hitch. **FAILURE TO FOLLOW THESE GUIDELINES WILL VOID THE WESTIN WARRANTY AND MAY RESULT IN PERSONAL INJURY AND/OR INJURY TO OTHERS AS WELL AS VEHICLE DAMAGE.**

### FOR CALIFORNIA RESIDENTS ONLY-PROP 65 WARNING:

Some products may contain chemicals such as DEHP, which can cause cancer, birth defects or other reproductive harm. For more info go to [www.p65warnings.ca.gov](http://www.p65warnings.ca.gov)



Westin Automotive Products, Inc.  
320 W. Covina Blvd  
San Dimas, Ca. 91773