



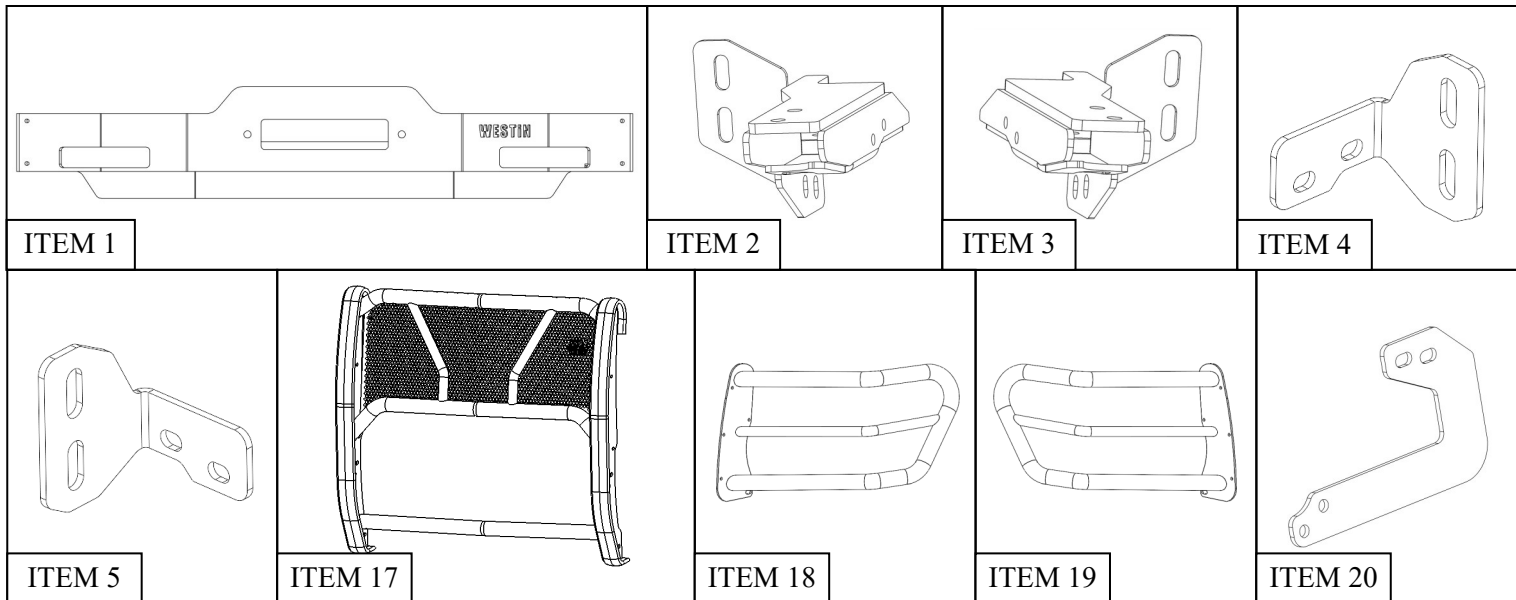
INSTALLATION INSTRUCTIONS

APPLICATION:
2017-2022 Ford F250/350
PART NUMBER:
Grille Guard Kit: 57-923905A

Kit Number: 57-923905
Winch Tray Kit: 46-23905

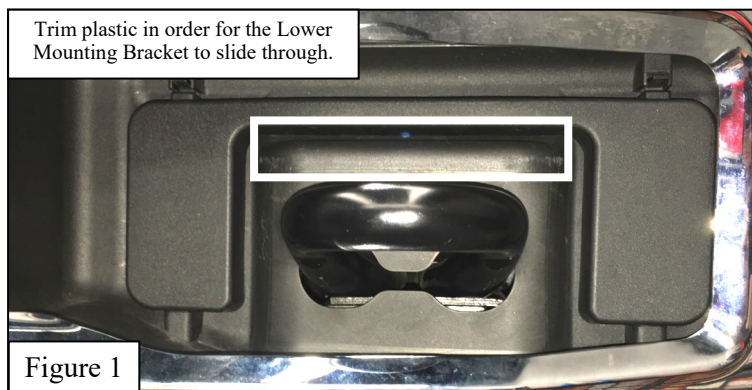
ITEM	QUANTITY	DESCRIPTION	TOOLS NEEDED
1	1	WINCH TRAY (46-23905)	16MM SOCKET
2	1	DRIVER SIDE LOWER MOUNTING BRACKET	16MM WRENCH
3	1	PASSENGER SIDE LOWER MOUNTING BRACKET	17MM SOCKET
4	1	DRIVER SIDE BUMPER BRACKET	17MM WRENCH
5	1	PASSENGER SIDE BUMPER BRACKET	18MM SOCKET
6	12	M12 HEX HEAD CAP SCREW (YELLOW ZINC)	18MM WRENCH
7	20	M12 HEX NUT (YELLOW ZINC)	19MM SOCKET
8	20	M12 SPLIT LOCK WASHER (YELLOW ZINC)	19MM WRENCH
9	32	M12 FLAT WASHER (YELLOW ZINC)	FLAT HEAD SCREWDRIVER
10	4	M10 HEX HEAD CAP SCREW (YELLOW ZINC)	
11	4	M10 SPLIT LOCK WASHER (YELLOW ZINC)	SOCKET EXT.
12	4	M10 FLAT WASHER (YELLOW ZINC)	RATCHET
13	4	M12 HEX HEAD CAP SCREW (BLACK ZINC)	TORQUE WRENCH
14	4	M12 HEX NUT (BLACK ZINC)	ALLEN WRENCH
15	4	M12 SPLIT LOCK WASHER (BLACK ZINC)	
16	8	M12 FLAT WASHER (BLACK ZINC)	
17	1	HDX GRILLE GUARD BASE	
HARDWARE ITEMS BELOW ARE INCLUDED WITH THE GRILLE GUARD KIT			
18	1	HDX DRIVER WING	
19	1	HDX PASSENGER WING	
20	2	LOWER SUPPORT BRACKET	
21	10	M12 HEX SOCKET BUTTON HEAD SCREW (BLACK ZINC)	
22	10	M12 CUP WASHER (BLACK ZINC)	
23	10	M12 SERRATED FLANGE NUT (BLACK ZINC)	
24	4	M12 HEX HEAD SCREW (BLACK ZINC)	
25	8	M12 FLAT WASHER (YELLOW ZINC)	
26	4	M12 HEX NUT (YELLOW ZINC)	
27	4	M12 SPLIT LOCK WASHER (YELLOW ZINC)	
28	12	M8 HEX SOCKET BUTTON HEAD BOLT (BLACK ZINC)	
29	12	M8 BELLVILLE WASHER (BLACK ZINC)	
30	12	M8 SERRATED FLANGE HEX NUT (BLACK ZINC)	

ANTI-SEIZE LUBRICANT MUST BE USED ON ALL STAINLESS STEEL FASTENERS TO PREVENT THREAD DAMAGE AND GALLING

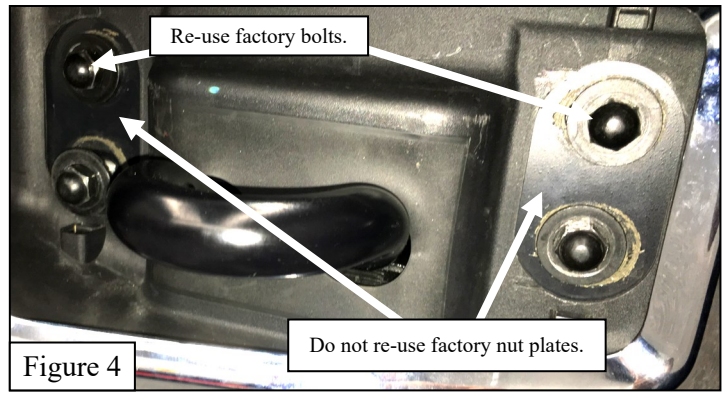
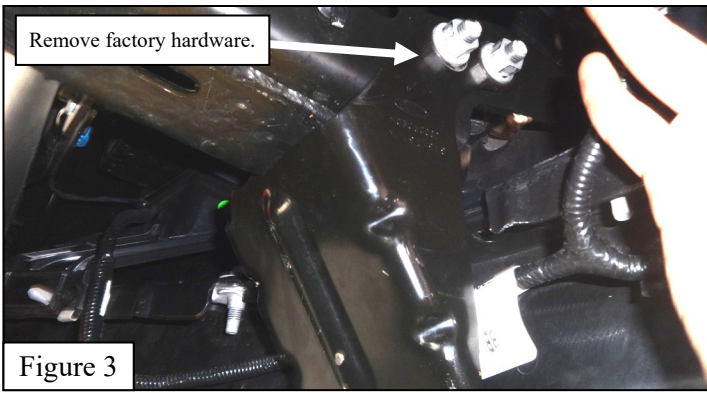


PROCEDURE

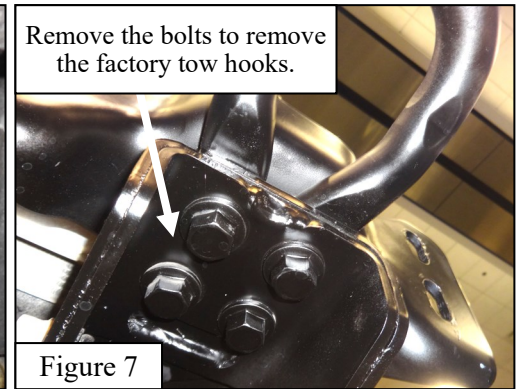
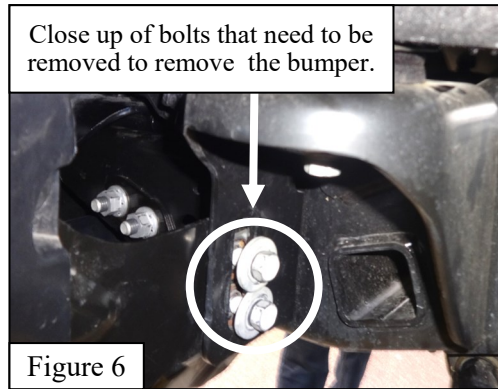
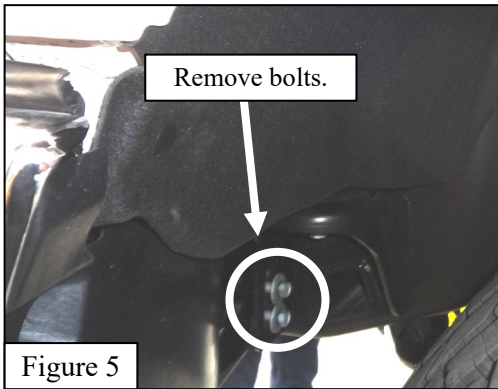
1. Remove contents from box, verify if all parts listed are present and free from damage. Carefully read and understand all instructions before attempting installation.
Failure to identify damage before installation could lead to a rejection of any claim.
2. Starting on either side of the vehicle, use a flathead screwdriver to remove the plastic covers located around the factory tow hooks. Repeat for the opposite side. **Note:** Plastic around tow hook must be trimmed in order for bracket to fit through. See **Figures 1 & 2** for reference.



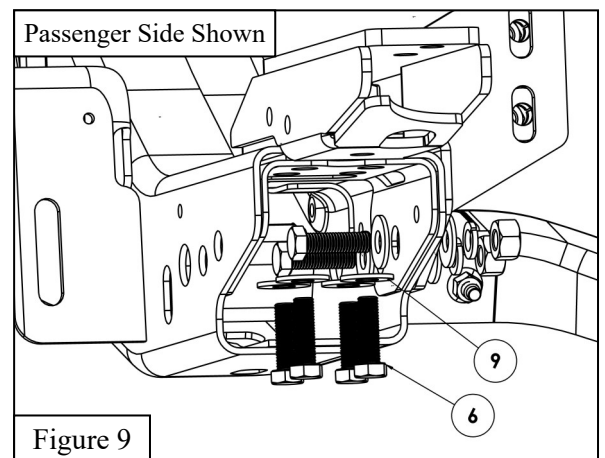
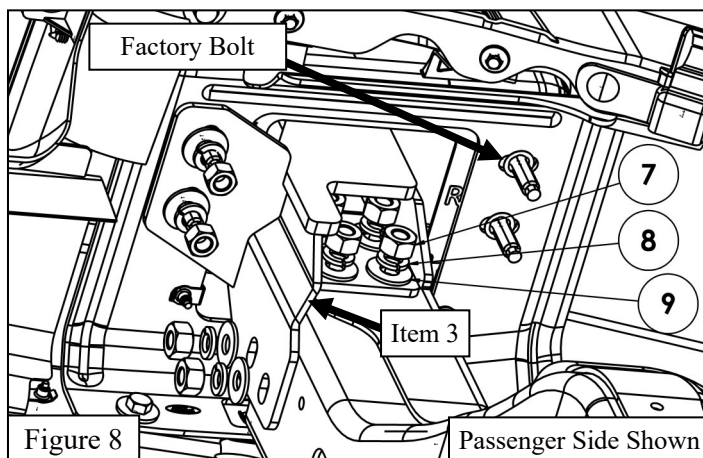
3. Underneath the front of the vehicle locate factory bracket that is attached on the frame and remove the factory hardware. See **Figure 3** for reference. **Note:** Factory hardware will not be re-used.
4. Re-use the factory hardware from under the plastic cover. See **Figure 4** for reference. **Note:** Factory nut plates will not be re-used.



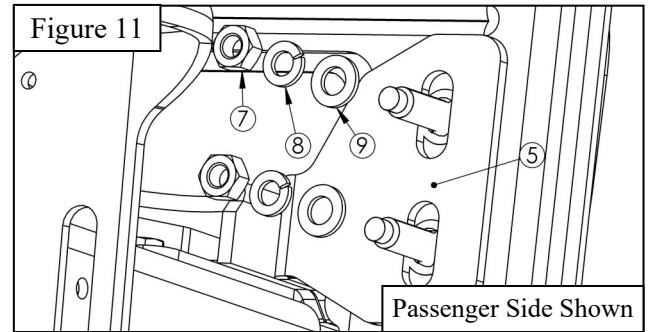
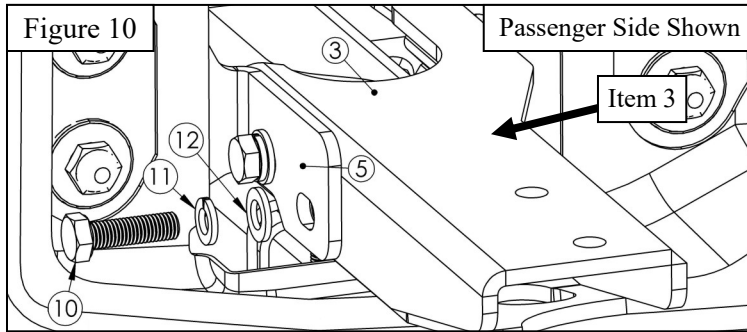
- Remove the OEM bumper by removing (4) bolts on both sides of the vehicle near the front tires and make sure to disconnect any electrical wires. See **Figures 5 and 6** for reference.
- Remove the factory tow hooks as shown in **Figure 7**. **Note:** *Factory tow hooks will not be re-used.*



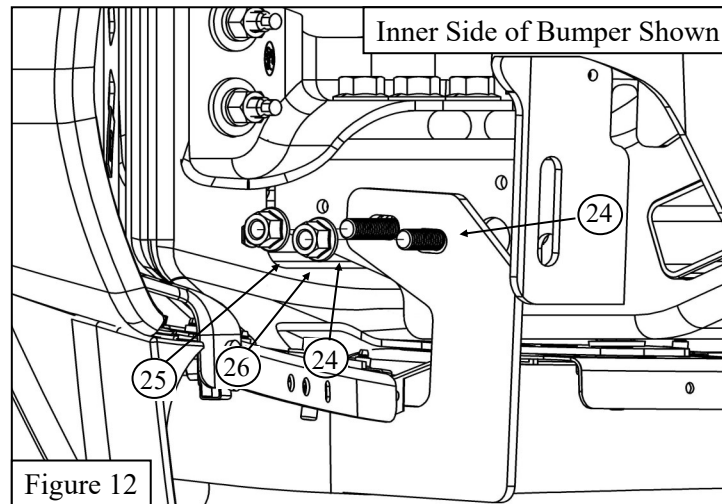
- Starting on either side of the vehicle. Locate (1) Lower Mounting Bracket (Items 2-3) and from the front of the vehicle, install it at the tow hook mounting locations. Align the bracket with the vehicle frame in the same location that the factory bracket was previously located. Loosely mount the bracket using the provided M12 hardware (Items 6-9). See **Figures 8 and 9** for reference.



8. Locate (1) Bumper Bracket (Items 4-5) and loosely secure it onto vehicle frame and Lower Mounting Bracket using the provided M10 and M12 hardware (Items 7-12), See **Figures 10 and 11** for reference.



9. Locate (1) Lower Support Bracket (Item 20) and insert through the newly trimmed slots and loosely secure it onto vehicle frame using the factory hardware. See **Figure 12** for reference.
10. Repeat **Steps 7-9** for other side.
11. As mentioned previously, trimming of the lower valence will be needed in order to slide the lower bracket through.



12. Re-install the front bumper in reverse order that it was previously removed. Re-install the plastic cover where the factory tow hooks were located.
13. Locate (1) Winch Tray (Item 1) and loosely secure it onto the Lower Mounting Brackets using the supplied M12 hardware (Items 13-16). See **Figure 13** for reference.
14. Locate (1) HDX Grille Guard Base (Item 17) and with assistance align it with the previously installed brackets and loosely secure using the supplied M12 hardware. See **Figure 14 & 15** for reference.
15. Locate and mount the HDX Driver Wing (Item 18) to the Grille Guard Base using the supplied M8 Hardware (Items 19-21). **Note:** For the mounting hole shared with the upper Support Straps, the M12 Hardware will be used. See **Figures 14 & 16** for reference.
16. Repeat for the HDX Passenger Wing (Item 17).
17. Align and adjust the Grille Guard Base, Wings, Winch Tray, and mounting brackets as necessary. Tighten and torque the M8 hardware to 16-18 ft-lbs, M10 hardware to 30-25 ft-lbs, and the M12 hardware to 50-55 ft-lbs.

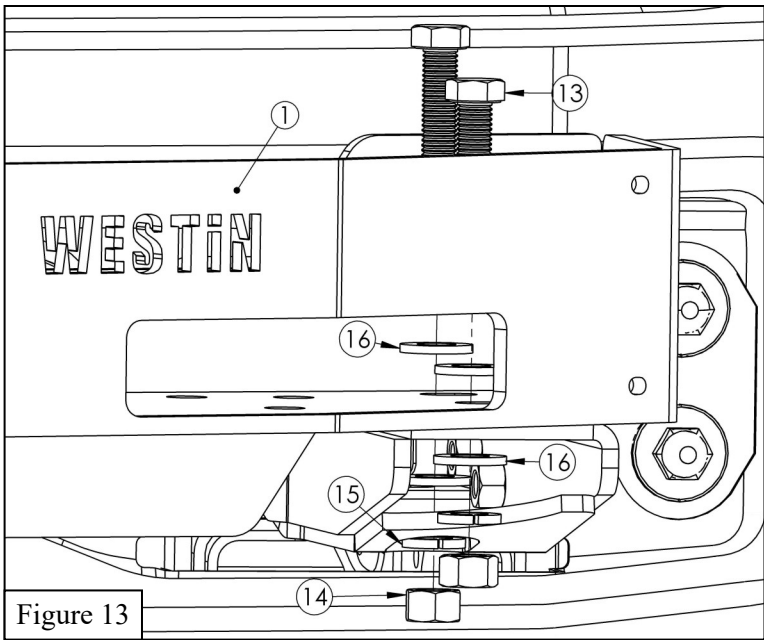


Figure 13

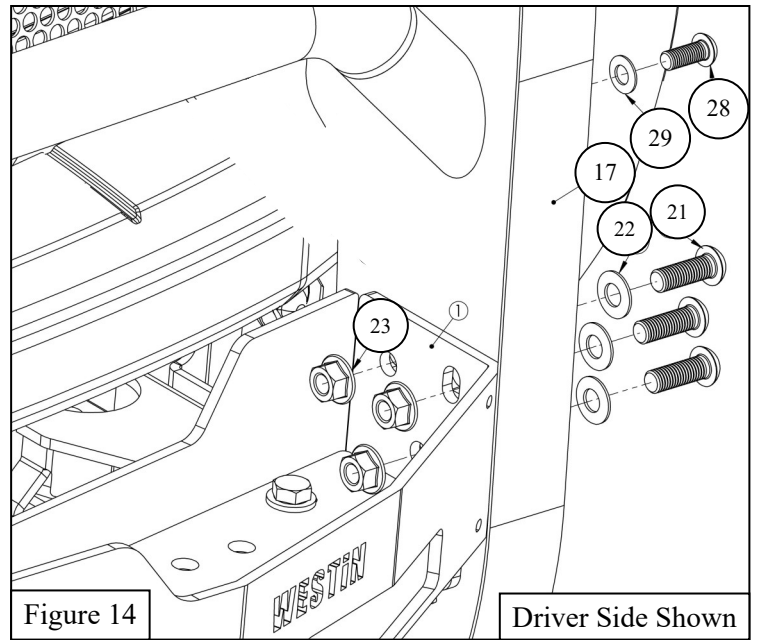


Figure 14

Driver Side Shown

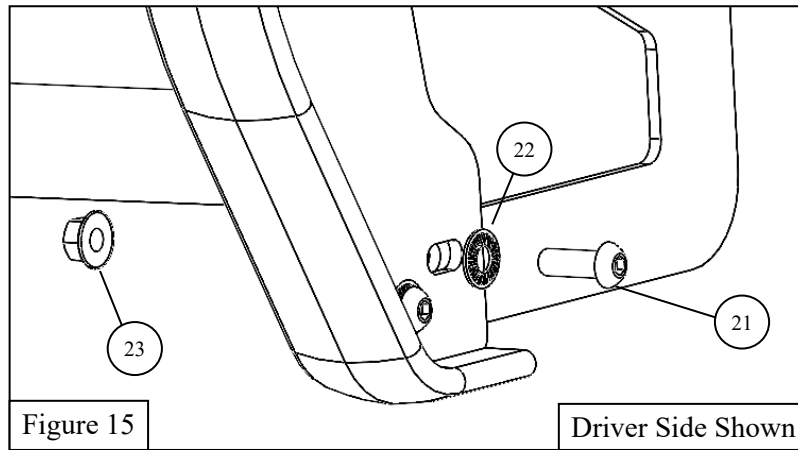


Figure 15

Driver Side Shown

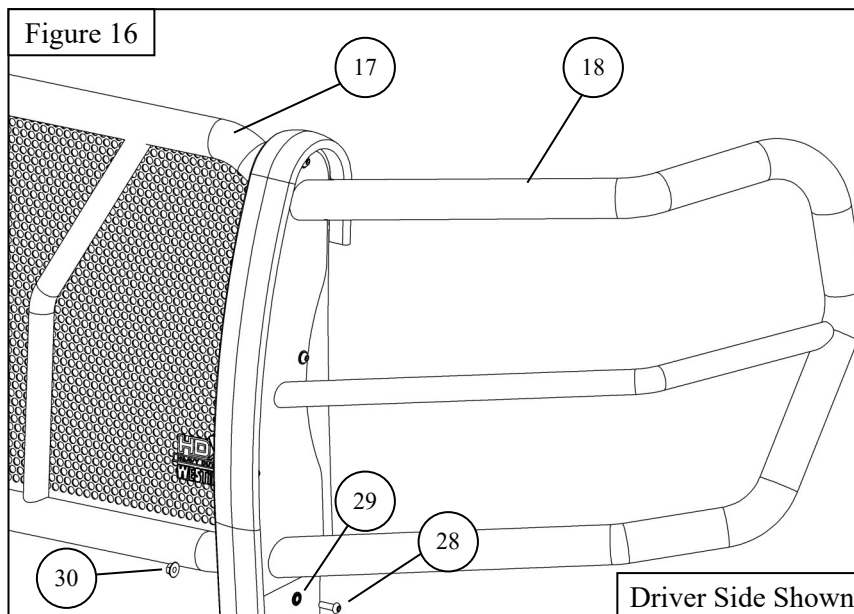


Figure 16

Driver Side Shown

INSTALLATION COMPLETE



CARE INSTRUCTIONS

- REGULAR WAXING IS RECOMMENDED. DO NOT USE ANY TYPE OF POLISH OR WAX THAT MAY CONTAIN ABRASIVES.
- STAINLESS STEEL PRODUCTS CAN BE CLEANED WITH MILD SOAP AND WATER. STAINLESS STEEL POLISH SHOULD BE USED TO POLISH SMALL SCRATCHES.
- GLOSS BLACK FINISHES SHOULD BE CLEANED WITH MILD SOAP AND WATER.

WESTIN

Westin Automotive Products, Inc.
320 W. Covina Blvd
San Dimas, Ca. 91773

Thank you for choosing Westin products
for additional installation assistance please call
Customer Service (800) 793-7846
www.westinautomotive.com



WARNING



Failure to follow these instructions could lead to death, personal injury, and / or property damage.

Failure to follow these instructions could lead to death, personal injury, and / or property damage.

FASTENERS:

All Westin supplied fasteners must be utilized and installed in accordance with the installation instructions and apply torque to the specifications as defined. **DOUBLE CHECK ALL FASTENERS BEFORE INITIAL USE, AND PERIODICALLY IN THE FUTURE TO ENSURE PROPER FUNCTION AND SAFETY.**

DRILLING:

Most Westin products do not require drilling for installation. If drilling is defined as required, use caution when drilling a vehicle. **FAILURE TO REVIEW AN AREA TO BE DRILLED MAY RESULT IN PERSONAL INJURY AND/OR INJURY TO OTHERS AS WELL AS VEHICLE DAMAGE.**

EYE PROTECTION:

ALWAYS WEAR SAFETY GLASSES OR GOGGLES DURING THE INSTALLATION PROCESS TO AVOID PERSONAL INJURY.

MAXIMUM TOWING/CARRYING CAPACITY: (if applicable)

The Westin Receiver Hitches will have a visible tow rating label affixed directly on the product. User should never exceed the vehicle manufacturers maximum tow and weight rating regardless of the capacity of the hitch. **FAILURE TO FOLLOW THESE GUIDELINES WILL VOID THE WESTIN WARRANTY AND MAY RESULT IN PERSONAL INJURY AND/OR INJURY TO OTHERS AS WELL AS VEHICLE DAMAGE.**

FOR CALIFORNIA RESIDENTS ONLY-PROP 65 WARNING:

Some products may contain chemicals such as DEHP, which can cause cancer, birth defects or other reproductive harm. For more info go to www.p65warnings.ca.gov



Westin Automotive Products, Inc.
320 W. Covina Blvd
San Dimas, Ca. 91773