



INSTALLATION INSTRUCTIONS

PRO-SERIES ACTIVE CRUISE CONTROL RELOCATION

APPLICATION:

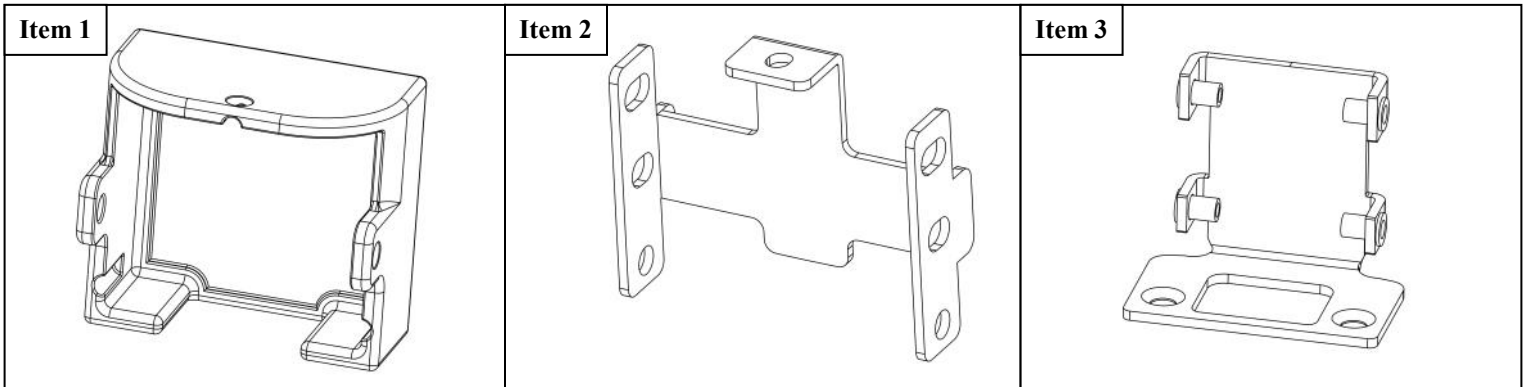
2019-2023 Mercedes-Benz Sprinter

PART NUMBER:

58-40035

CONTENT			
ITEM	QUANTITY	DESCRIPTION	TOOLS NEEDED
1	1	PLASTIC HOUSING	ALLEN KEYS (3MM,4MM,5MM)
2	1	BACKING BRACKET	
3	1	MAIN BRACKET	
4	4	M5 LONG BUTTON HEAD BOLT	
5	7	M5 FLAT WASHER	
6	7	M5 SPLIT LOCK WASHER	
7	3	M4 LONG BUTTON HEAD	
8	3	M4 U-CLIP	
9	2	M6 HEX COUNTERSUNK SCREW	
10	2	M6 SERRATED FLANGE HEX NUT	

ANTI-SEIZE LUBRICANT MUST BE USED ON ALL STAINLESS STEEL FASTENERS TO PREVENT THREAD DAMAGE AND GALLING



NOTE: PRO-SERIES ACTIVE CRUISE CONTROL RELOCATION KIT(58-40035) HAS ONLY BEEN TESTED WITH THE PRO-SERIES MID WIDTH FRONT BUMPER (58-311295). RECALIBRATION FROM QUALIFIED TECHNICIAN MAY BE REQUIRED.

PROCEDURE

1. Remove contents from box, verify if all parts listed are present and free from damage.
Carefully read and understand all instructions before attempting installation.
Failure to identify damage before installation could lead to a rejection of any claim.
2. Locate the M4 U-Clips (**Item 8**) and attach them to the Backing Bracket (**Item 2**). See **Figure 1** for reference.
3. Place the Active Cruise Control into the Plastic Housing (**Item 1**). See **Figure 2** for reference.
4. Place the Backing Bracket (**Item 2**) onto the Plastic Housing (**Item 1**) using the hardware items provided (**Item 5-7**). See **Figure 3** for reference.

Figure 1

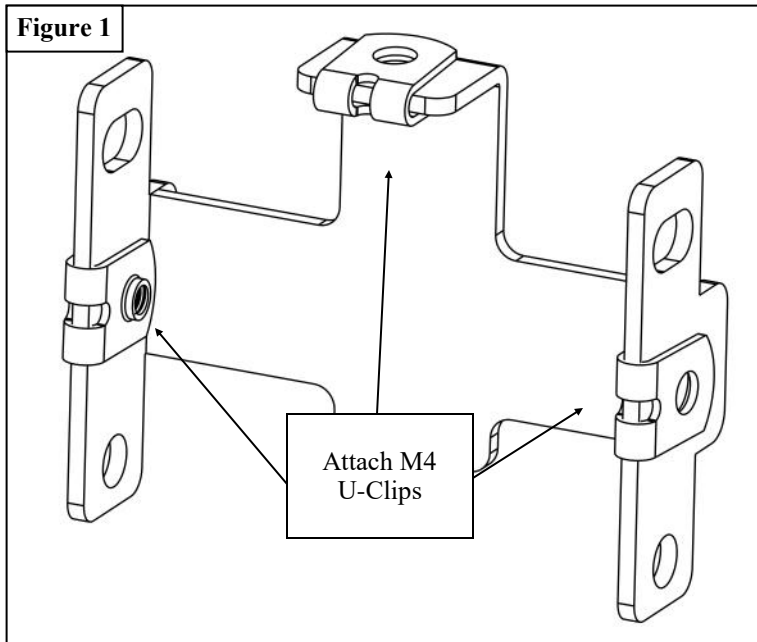
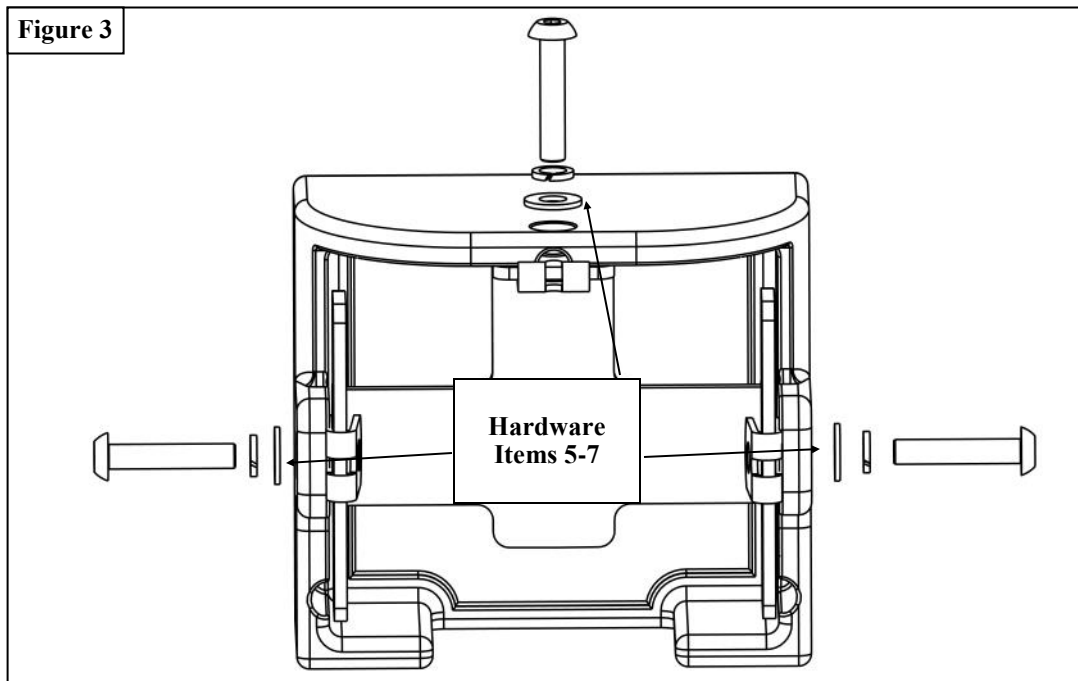


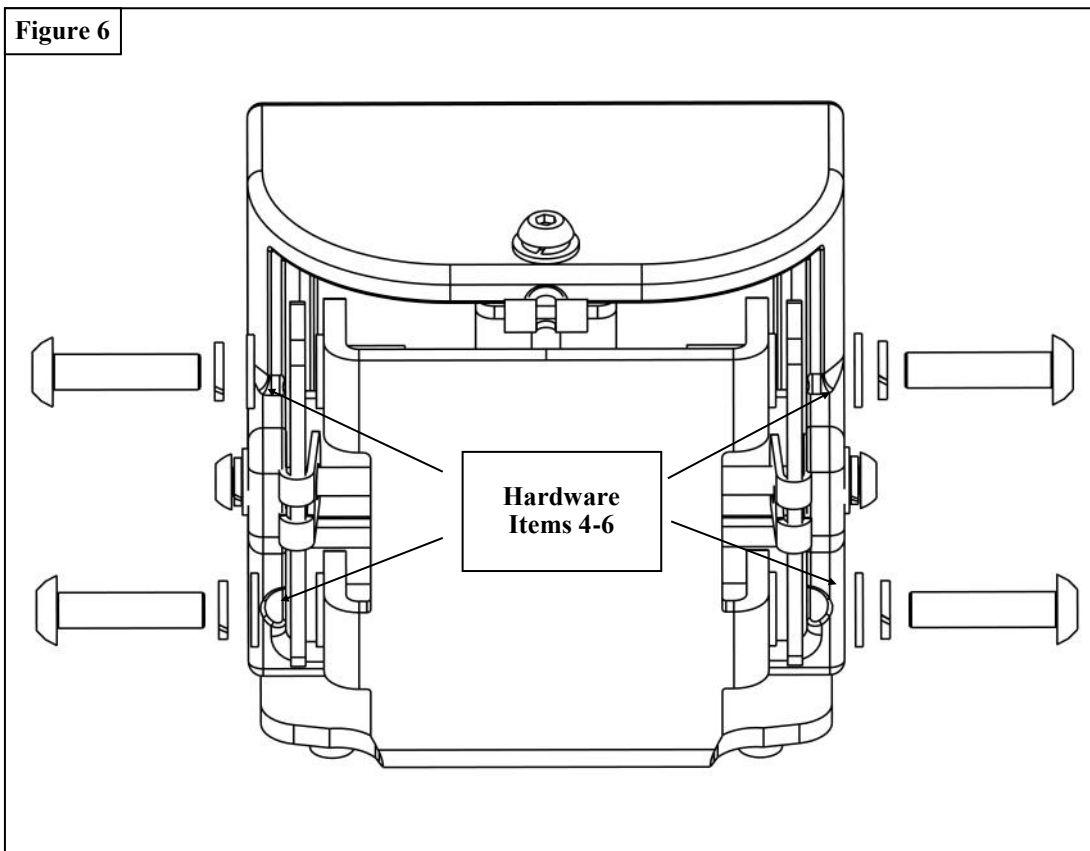
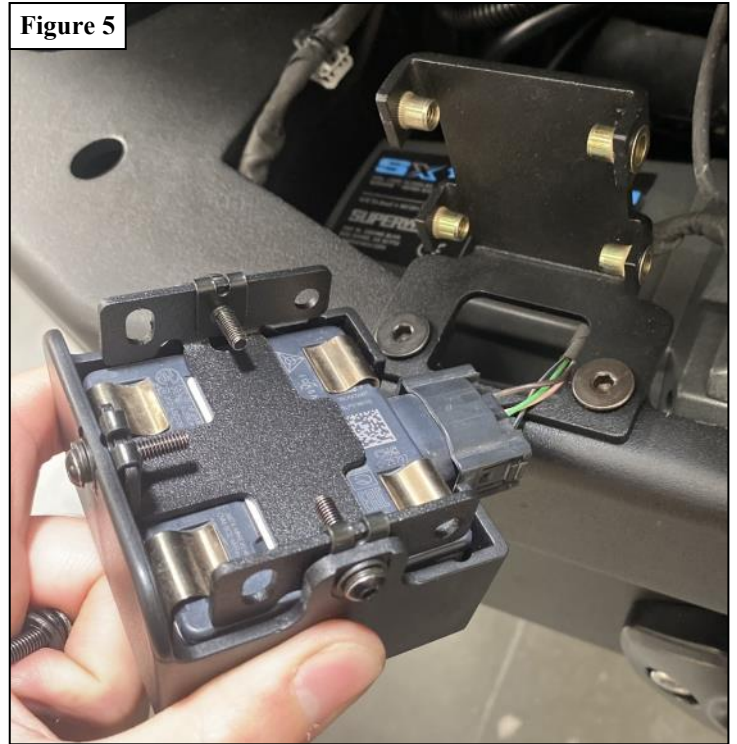
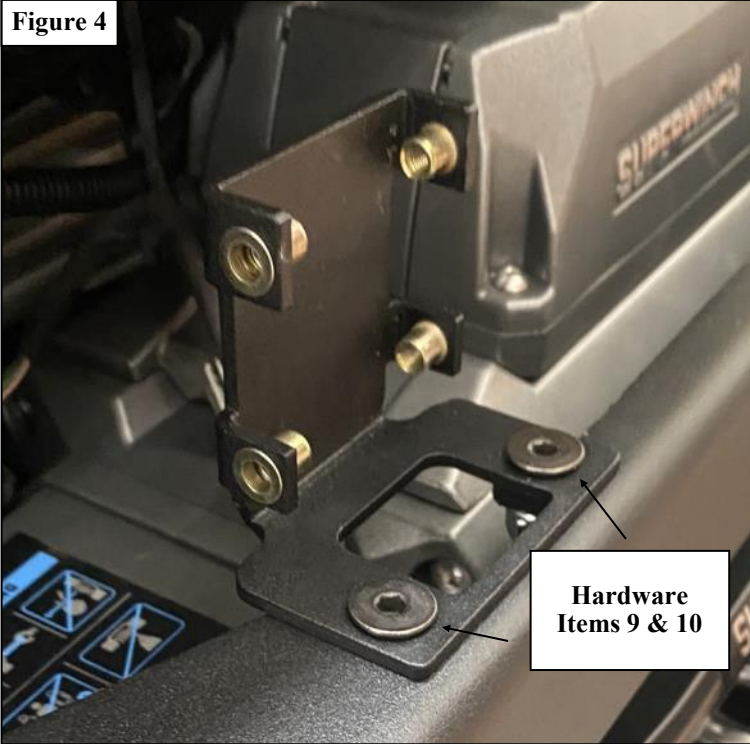
Figure 2



Figure 3



5. Using the hardware provided (**Items 9 & 10**) to attach the Main Bracket (**Item 3**) onto the Pro-Series Mid Width Front Bumper (**58-311295**). See **Figure 4** for reference.
6. Route the wiring through the opening of the Main Bracket (**Item 3**). See **Figure 5** for reference.
7. Using the hardware provided (**Items 4-6**) attach the Backing Bracket to the main Bracket. See **Figure 6** for reference.



INSTALLATION COMPLETE



CARE INSTRUCTIONS

- REGULAR WAXING IS RECOMMENDED. DO NOT USE ANY TYPE OF POLISH OR WAX THAT MAY CONTAIN ABRASIVES.
- STAINLESS STEEL PRODUCTS CAN BE CLEANED WITH MILD SOAP AND WATER. STAINLESS STEEL POLISH SHOULD BE USED TO POLISH SMALL SCRATCHES.
- GLOSS BLACK FINISHES SHOULD BE CLEANED WITH MILD SOAP AND WATER.

WESTIN

Westin Automotive Products, Inc.
320 W. Covina Blvd
San Dimas, Ca. 91773

Thank you for choosing Westin products
for additional installation assistance please call
Customer Service (800) 793-7846
www.westinautomotive.com



WARNING



Failure to follow these instructions could lead to death, personal injury, and / or property damage.

Failure to follow these instructions could lead to death, personal injury, and / or property damage.

FASTENERS:

All Westin supplied fasteners must be utilized and installed in accordance with the installation instructions and apply torque to the specifications as defined. **DOUBLE CHECK ALL FASTENERS BEFORE INITIAL USE, AND PERIODICALLY IN THE FUTURE TO ENSURE PROPER FUNCTION AND SAFETY.**

DRILLING:

Most Westin products do not require drilling for installation. If drilling is defined as required, use caution when drilling a vehicle. **FAILURE TO REVIEW AN AREA TO BE DRILLED MAY RESULT IN PERSONAL INJURY AND/OR INJURY TO OTHERS AS WELL AS VEHICLE DAMAGE.**

EYE PROTECTION:

ALWAYS WEAR SAFETY GLASSES OR GOGGLES DURING THE INSTALLATION PROCESS TO AVOID PERSONAL INJURY.

MAXIMUM TOWING/CARRYING CAPACITY: (if applicable)

The Westin Receiver Hitches will have a visible tow rating label affixed directly on the product. User should never exceed the vehicle manufacturers maximum tow and weight rating regardless of the capacity of the hitch. **FAILURE TO FOLLOW THESE GUIDELINES WILL VOID THE WESTIN WARRANTY AND MAY RESULT IN PERSONAL INJURY AND/OR INJURY TO OTHERS AS WELL AS VEHICLE DAMAGE.**

FOR CALIFORNIA RESIDENTS ONLY-PROP 65 WARNING:

Some products may contain chemicals such as DEHP, which can cause cancer, birth defects or other reproductive harm. For more info go to www.p65warnings.ca.gov



Westin Automotive Products, Inc.
320 W. Covina Blvd
San Dimas, Ca. 91773